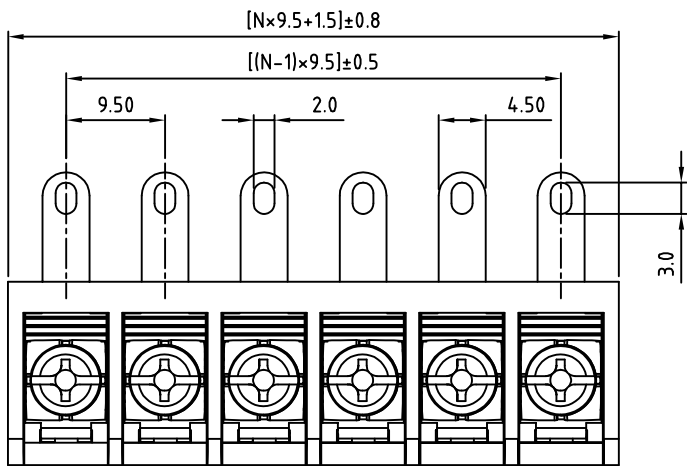
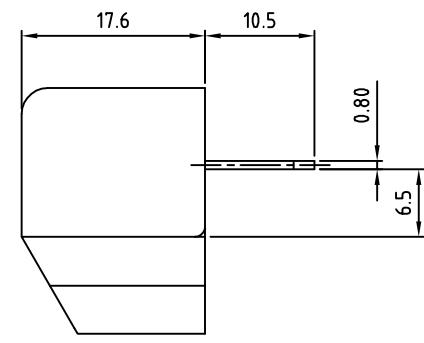
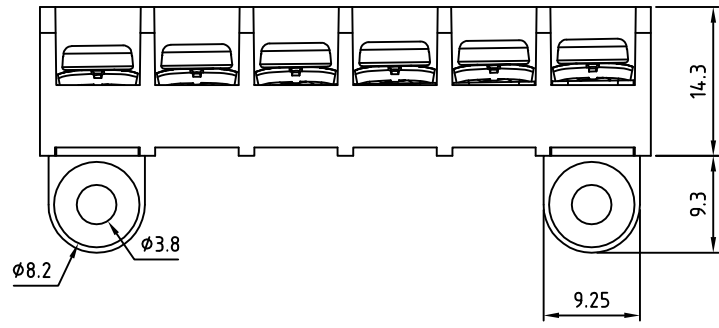


SIGN	DATE	DESCRIPTION	APPROVER
<i>THIS IS CAD DRAWING, DO NOT REVISE MANUALLY!!!</i>			



N=Number of poles



SPECIFICATIONS

VOLTAGE & CURRENT: 300 V, 25 A
 WITHSTANDING VOLTAGE: AC 2000 V/Min
 INSULATION RESISTANCE: 1000 M Ω OR MORE AT DC 500 V
 TEMPERATURE RANGE: -40 °C - +105 °C
 SCREW TORQUE VALUE: 10.54 Lb-In.
 WIRE RANGE: 22 - 14 AWG

1) MOLDED PARTS: THERMOPLASTIC, UL 94 V-0 BLACK
 2) TERMINAL: BRASS, 0.8t, Tin PLATED
 3) TERMINAL SCREWS: STEEL, Ni PLATED, M3.5

APPROVAL:

RoHS Compliant

PART NUMBER: **OSTYK443XX030**

NO. OF POLES

02: 2 POLES
 03: 3 POLES
 04: 4 POLES
 ...
 30: 30 POLES



THESE DRAWINGS AND SPECIFICATIONS ARE THE PROPERTY OF ON-SHORE TECHNOLOGY, INC. AND SHALL NOT BE REPRODUCED, COPIED OR USED IN ANY MANNER WITHOUT THE PRIOR WRITTEN CONSENT OF ON-SHORE TECHNOLOGY, INC.

TITLE		OSTYK-443 W/O Flange Series		
PART NO.	OSTYK443XX030	DWG NO.	OSTYK443XX030.DWG	
APPROVED	CHECKED	DESIGNED	DRAWN	CUST NO.
Shi Jun 2007.07.18	Seamus 2007.07.18	LUCY 2007.7.18	LUCY 2007.7.18	
				Tolerance
SHEET: 01/01				UNIT: mm SCALE: NONE REV.: B
				X. ±0.50 X.X ±0.30 X.XX ±0.10 X° ±1°