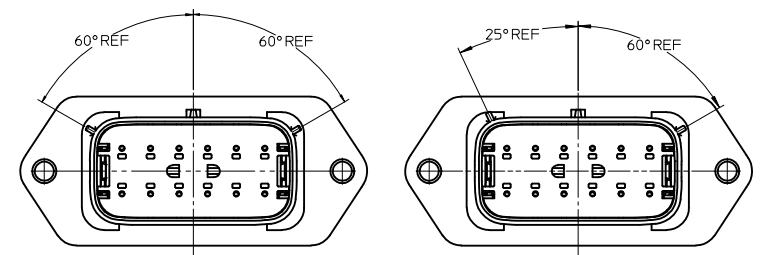
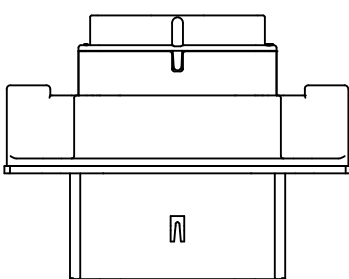
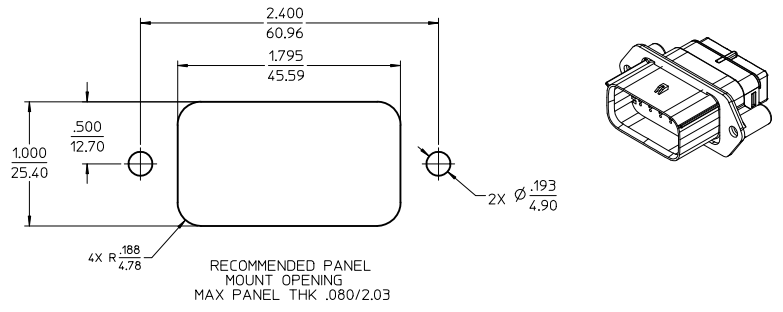
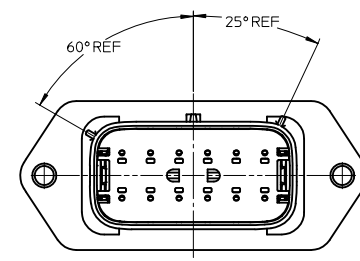
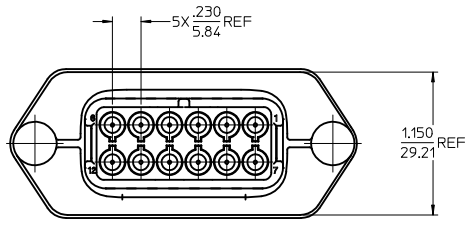
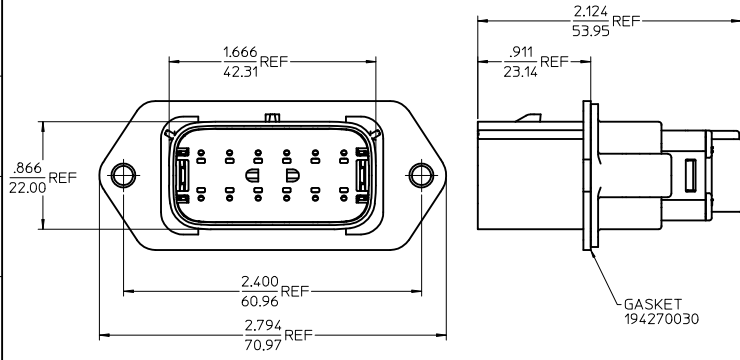


MATERIAL NUMBER	WIRE GAGE	GASKET	KEYING OPTION	COLOR
194351211	16-14	YES	A	BLACK
194351212	22-18	YES	A	BLACK
194351213	16-14	NO	A	BLACK
194351214	22-18	NO	A	BLACK
194351216	16-14	YES	B	GRAY
194351217	22-18	YES	B	GRAY
194351218	16-14	NO	B	GRAY
194351219	22-18	NO	B	GRAY
194351221	16-14	YES	C	BROWN
194351222	22-18	YES	C	BROWN
194351223	16-14	NO	C	BROWN
194351224	22-18	NO	C	BROWN
194351226	16-14	YES	D	GREEN
194351227	22-18	YES	D	GREEN
194351228	16-14	NO	D	GREEN
194351229	22-18	NO	D	GREEN

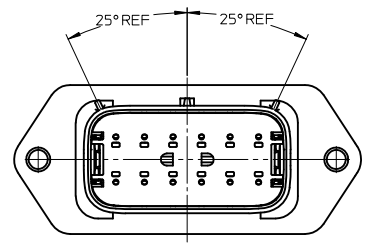


KEY A

KEY B



KEY C



KEY D

NOTES:

- MATERIALS:
HOUSING: POLYESTER (PBT), GLASS FILLED, UL94 V-0,
COLOR: SEE CHART.
SEAL: SILICONE RUBBER.
GASKET: EPDM RUBBER.
- PRODUCT SPECIFICATION: PS-19417-001.
- PACKAGING SPECIFICATION: PK-19435-001.
GASKETS, IF REQUIRED FOR THE ASSEMBLIES,
ARE BULK PACKAGED IN A SEPARATE BAG.
- MATES WITH: 19418 SERIES RECEPTACLE ASSEMBLIES.
- USE CONNECTOR WITH MALE CRIMP TERMINAL: SERIES 19417.
- RECOMMENDED MOUNTING HARDWARE: (2#10 X .62/15.8 LONG PLASTIC
THREAD CUTTING SCREWS. RECOMMENDED TORQUE: 15-17 IN.-LBS.
SUGGESTED SOURCE: ITW SHAKEPROOF INDUSTRIAL BOSSCREW OR EQUIVALENT.

UPDATE NOTES EC NO: IFC2012-0303 DRAWN/CHKD: [blank] APPR: [blank]	QUALITY SYMBOLS ▽=0 ▽=0	GENERAL TOLERANCES (UNLESS SPECIFIED): <table border="1"> <thead> <tr> <th></th> <th>mm</th> <th>INCH</th> </tr> </thead> <tbody> <tr> <td>4 PLACES</td> <td>±.005</td> <td>±.001</td> </tr> <tr> <td>3 PLACES</td> <td>±.010</td> <td>±.015</td> </tr> <tr> <td>2 PLACES</td> <td>±0.38</td> <td>±.015</td> </tr> <tr> <td>1 PLACE</td> <td>±.005</td> <td>±.001</td> </tr> </tbody> </table>			mm	INCH	4 PLACES	±.005	±.001	3 PLACES	±.010	±.015	2 PLACES	±0.38	±.015	1 PLACE	±.005	±.001	DIMENSION STYLE IN/MM	SCALE 2:1	DESIGN UNITS INCH	THIRD ANGLE PROJECTION
			mm	INCH																		
4 PLACES	±.005	±.001																				
3 PLACES	±.010	±.015																				
2 PLACES	±0.38	±.015																				
1 PLACE	±.005	±.001																				
DRAFT WHERE APPLICABLE MUST REMAIN WITHIN DIMENSIONS	MATERIAL NO. SEE CHART	DATE DRAWN BY: JPAWLICKI 02/09/05 CHECKED BY: JPAWLICKI 02/10/05 APPROVED BY: RDEROSS 02/11/05	TITLE 12 WAY SEALED PLUG PANEL MOUNT ASSEMBLY, 22-14 AWG, A-D POLARIZATION	DOCUMENT NO. SD-19435-012	SHEET NO. 1 OF 1	MOLEX INCORPORATED																

THIS DRAWING CONTAINS INFORMATION THAT IS PROPRIETARY TO MOLEX INCORPORATED AND SHOULD NOT BE USED WITHOUT WRITTEN PERMISSION