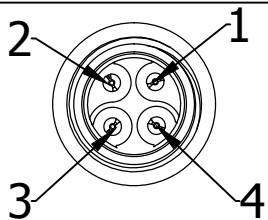


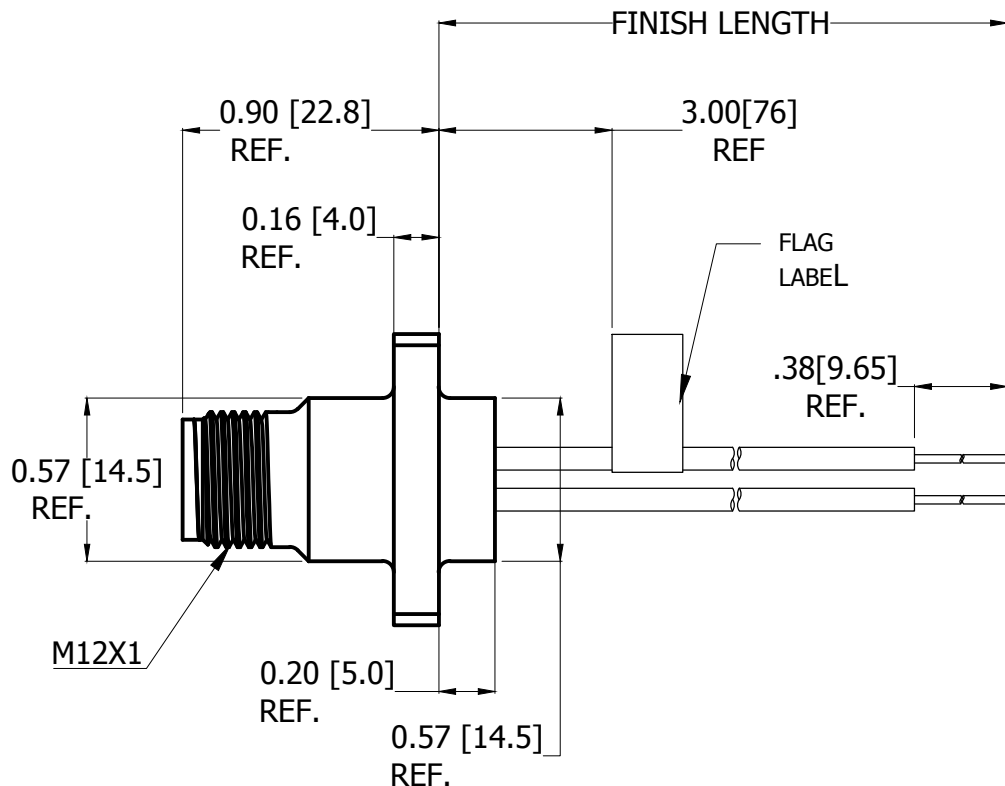
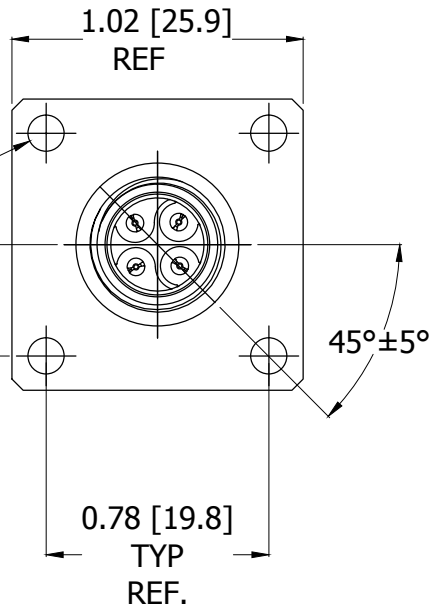
MALE FACE VIEW



- 1 GRAY
- 2 BROWN
- 3 BLUE
- 4 BLACK

Ø0.13 [Ø3.2]
TYP 4PLCs
REF.

0.39 [9.9]
TYP 4PLCs
REF



④ FRP4G06F01M0103

Wire type
14/1C AWG PPE

wire length
M005 = 0.5 Meter
M010 = 1 Meter
M100 = 10 Meter

MECHANICAL
CONTACT: GOLD/NICKEL OVER COPPER ALLOY
INSERT: BLACK NYLON
GASKET: BLACK EPDM
RECEPTACLE SHELL: NICKEL PLATED BRASS
WIRE: 14 AWG CONDUCTORS, PPE

WIRE MARKING: xxxxx ECDWIRE TM 14 AWG Exxxxxx
RU AWM 11028 105C 600V VW-1 ---
CRU AWM I A/B 105C 600V FT1 CE ROHS

ELECTRICAL
VOLTAGE RATING: 300V AC/DC
AMPERAGE: 16A

ENVIRONMENTAL
PROTECTION: IP67

OPERATING TEMP: -20°C TO 105°C

UPDATE MATRIX NUMBER EC NO: IPG2017-0983 DRWN: MZIELINS 2017/03/20 CHKD: TWOLDEGE 2017/03/22 APPR: BWOODMAN2013/12/17	QUALITY SYMBOL	GENERAL TOLERANCES (UNLESS SPECIFIED)	DIMENSION STYLE	SCALE	DESIGN UNITS	THIRD ANGLE PROJECTION	
	▽=0 ▽C=0	mm INCH	INCH/MM	4:1	INCH		
		4 PLACES ±--- ±--- 3 PLACES ±--- ±.005 2 PLACES ±.13 ±.010 1 PLACE ±.25 ±.020	DRAWN BY DATE TWOLDEGE 2013/06/18	TITLE M12-POWER ASSEMBLY 4-POLE MALE FLANGEMOUNT 14/1C AWG PPE WIRE LEADS			
		ANGULAR ±.5°	CHECKED BY DATE BRUPERT ---	MOLEX INCORPORATED			
	DRAFT WHERE APPLICABLE MUST REMAIN WITHIN DIMENSIONS	APPROVED BY DATE BWOODMAN 2013/12/17	MATERIAL NO.	DOCUMENT NO. SD-120502-001	SHEET NO. 1 OF 1		
		SIZE C	THIS DRAWING CONTAINS INFORMATION THAT IS PROPRIETARY TO MOLEX INCORPORATED AND SHOULD NOT BE USED WITHOUT WRITTEN PERMISSION				