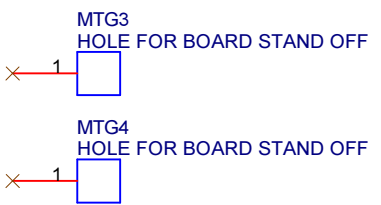
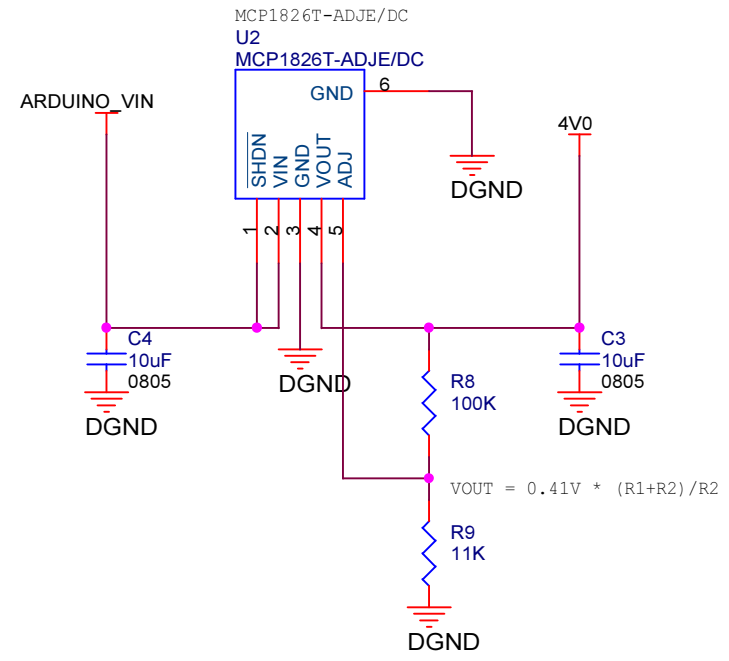
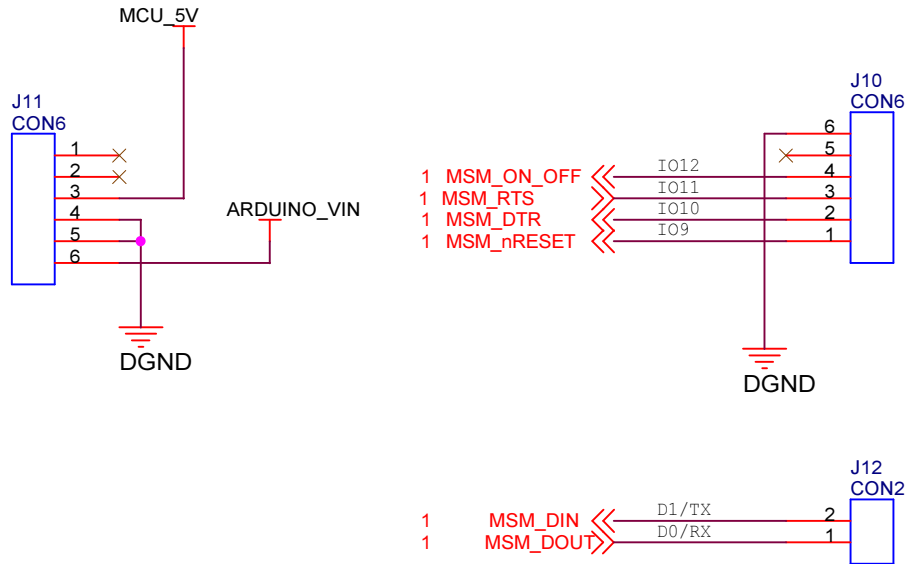


NOTE: R6 AND R7 WERE CHANGED FROM ORIGINAL VALUES OF 11K OHMS ON REVISION A TO 1K OHM ON SCHEMATIC REVISION B TO SUPPORT NEW LTE MODEMS WHICH REQUIRE STRONGER PULLDOWNS.



Title		
Skywire Arduino Shield		
Size	Document Number	Rev
A	30004	B
Date:	Tuesday, December 05, 2017	Sheet 1 of 2

# ARDUINO SHIELD CONNECTORS



Title		
Skywire Arduino Shield		
Size	Document Number	Rev
A	30004	B
Date:	Tuesday, December 05, 2017	Sheet 2 of 2