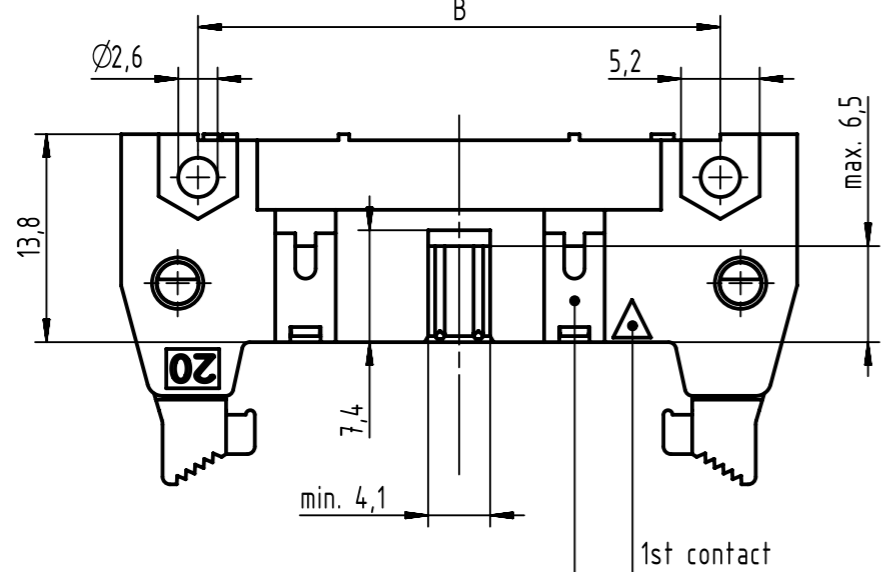
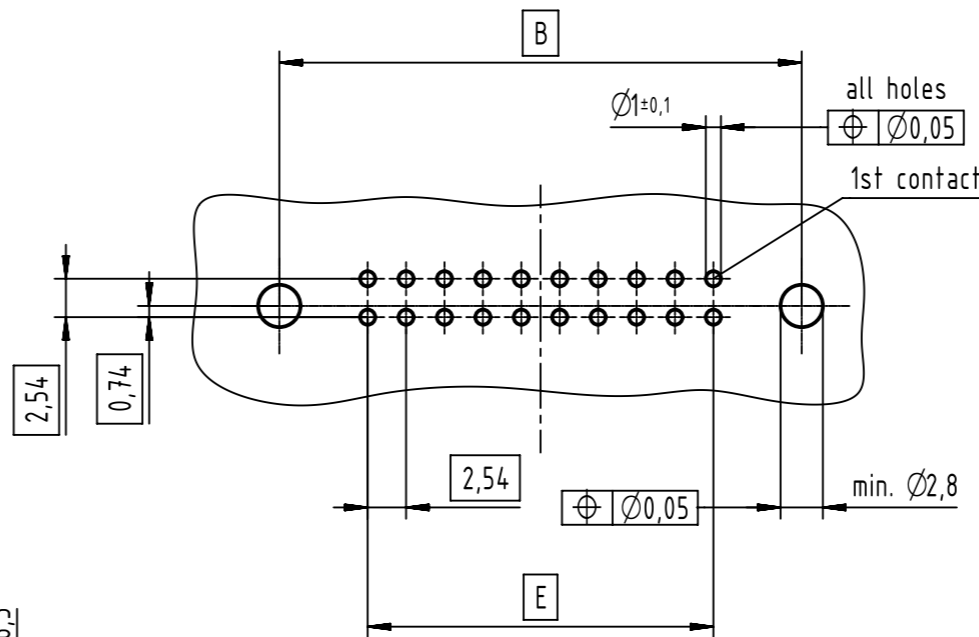
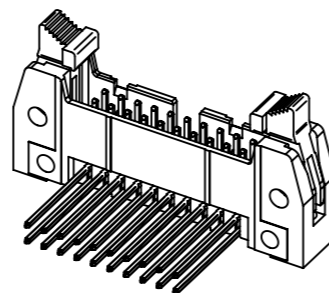


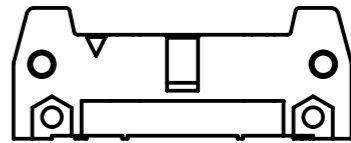
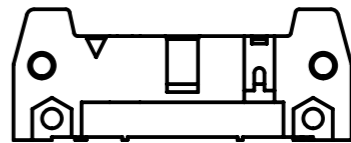
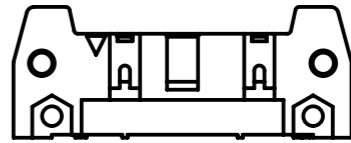
PCB layout
view component side
thickness up to 3,2



see table for coding,
feature arrangement and style

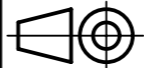



coding style table


	style A: for connectors 6-pole
	style B: for connectors from 10 to 14-pole
	style C: for connectors from 16 to 64-pole

further information
see: DS 09181200001

full range of P/N's and
dimensions shown on page 2/2

	All Dimensions in mm Original Size DIN A3	Scale 2:1	Free size tol. IEC 60603-13	Ref.	
	All rights reserved Department EC PD - DE	Created by STORCK	Inspected by TADJE	Standardisation KOHLER	Date 2015-12-21
HARTING Electronics GmbH D-32339 Espelkamp		Title SEK 18 male standard conn angl WW with short lever 15.0		State Final Release	
		Type TB	Number 09185XXX916	Doc-Key / ECM-Nr. 100154464/UGD/049/A 50000094595	Page 1/2
				Rev. A	

no. of contacts	performance level			insulator colour	dimensions				
	PL3	PL2	S4		A max.	B	D	E	F
	part number	part number	part number						
06	09 18 506 7916	09 18 506 6916	09 18 506 5916	grey	27,2	16,76	12,45	2,54 x 2 = 5,08	36,9
10	09 18 510 7916	09 18 510 6916	09 18 510 5916		32,3	21,84	17,53	2,54 x 4 = 10,16	42,0
14	09 18 514 7916	09 18 514 6916	09 18 514 5916		37,4	26,92	22,61	2,54 x 6 = 15,24	47,1
16	09 18 516 7916	09 18 516 6916	09 18 516 5916		39,9	29,46	25,15	2,54 x 7 = 17,78	49,6
20	09 18 520 7916	09 18 520 6916	09 18 520 5916		45,0	34,54	30,23	2,54 x 9 = 22,86	54,7
24	09 18 524 7916	09 18 524 6916	09 18 524 5916		50,1	39,62	35,91	2,54 x 11 = 27,94	59,8
26	09 18 526 7916	09 18 526 6916	09 18 526 5916		52,6	42,16	37,85	2,54 x 12 = 30,48	62,3
30	09 18 530 7916	09 18 530 6916	09 18 530 5916		58,0	47,24	43,83	2,54 x 14 = 35,56	68,2
34	09 18 534 7916	09 18 534 6916	09 18 534 5916		62,8	52,32	48,01	2,54 x 16 = 40,64	72,5
40	09 18 540 7916	09 18 540 6916	09 18 540 5916		70,4	59,94	55,63	2,54 x 19 = 48,26	80,1
50	09 18 550 7916	09 18 550 6916	09 18 550 5916		83,1	72,64	68,33	2,54 x 24 = 60,96	92,8
60	09 18 560 7916	09 18 560 6916	09 18 560 5916		95,8	85,34	81,03	2,54 x 29 = 73,66	105,5
64	09 18 564 7916	09 18 564 6916	09 18 564 5916		100,9	90,42	86,11	2,54 x 31 = 78,74	110,6

	All Dimensions in mm Original Size DIN A3	Scale 1:1	Free size tol.		Ref.
	All rights reserved Department EC PD - DE	Created by STORCK	Inspected by TADJE	Standardisation KOHLER	Date 2015-12-21
HARTING Electronics GmbH D-32339 Espelkamp		Title SEK 18 male standard conn angl WW with short lever 15.0			State Final Release
		Type TB	Number 09185XXX916		Doc-Key / ECM-Nr. 100154464/UGD/049/A 50000094595
				Rev. A	Page 2/2