

THE INFORMATION CONTAINED HEREIN IS CONSIDERED "PROPRIETARY" TO BEL FUSE INC. AND SHALL NOT BE COPIED, REPRODUCED OR DISCLOSED WITHOUT THE WRITTEN APPROVAL OF BEL FUSE INC.

| LED 1 POLARITY |        |        | LED 2 POLARITY |        |        |
|----------------|--------|--------|----------------|--------|--------|
| PIN 16         | PIN 17 | COLOR  | PIN 18         | PIN 19 | COLOR  |
| +              | -      | ORANGE | +              | -      | ORANGE |
| -              | +      | GREEN  | -              | +      | GREEN  |

**ELECTRICAL CHARACTERISTICS @ 25°C**

**TURNS RATIO**

|     |           |
|-----|-----------|
| TP1 | 1CT : 1CT |
| TP2 | 1CT : 1CT |
| TP3 | 1CT : 1CT |
| TP4 | 1CT : 1CT |

**INS. LOSS (MAX)**

|               |         |
|---------------|---------|
| 1MHz TO 20MHz | -0.8 dB |
| 50MHz         | -1.0 dB |
| 200MHz        | -1.2 dB |
| 400MHz        | -2.0 dB |
| 500MHz        | -3.0 dB |

**RET. LOSS (MIN) @ 100 OHMS**

|        |        |
|--------|--------|
| 1MHz   | -18 dB |
| 2MHz   | -20 dB |
| 10MHz  | -20 dB |
| 100MHz | -20 dB |
| 200MHz | -18 dB |
| 300MHz | -15 dB |
| 400MHz | -10 dB |
| 500MHz | -8 dB  |

**CM TO CM REJ**

|               |            |
|---------------|------------|
| 1MHz - 500MHz | -25 dB MIN |
|---------------|------------|

**CM TO DM REJ**

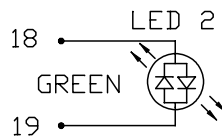
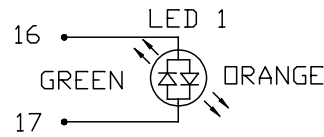
|               |            |
|---------------|------------|
| 1MHz - 500MHz | -25 dB MIN |
|---------------|------------|

**HIPOT (Isolation Voltage):** 2250 VDC

100% OF PRODUCTION TESTED TO COMPLY WITH IEEE 802.3 ISOLATION REQUIREMENTS.

**LED1 AND LED2**

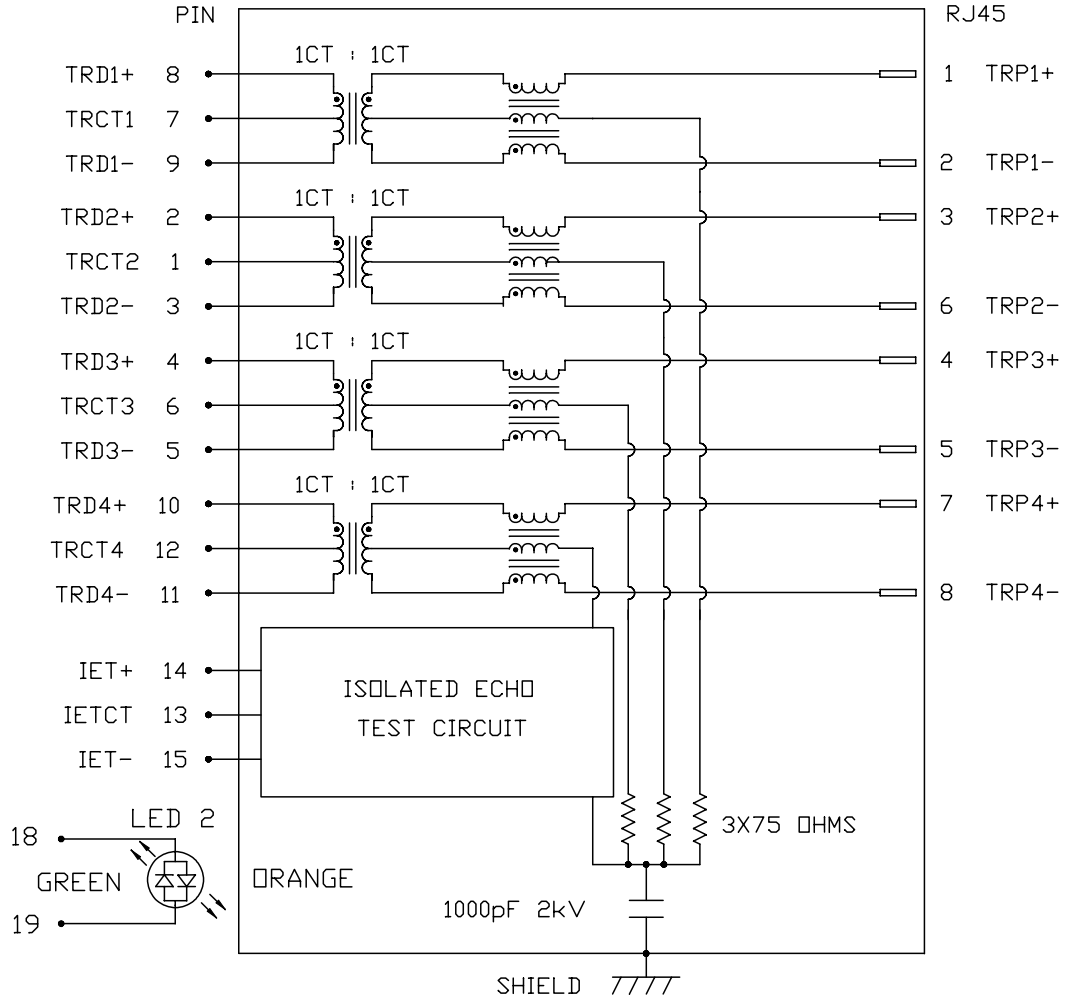
VF (FORWARD VOLTAGE) IF=20mA GREEN 2.2V TYP.  
ORANGE 2.0V TYP.  
λD (DOMINANT WAVELENGTH) IF=20mA GREEN 565nm TYP.  
ORANGE 605nm TYP.



PRELIMINARY



**SCHEMATIC**



| ORIGINATED BY | DATE       | TITLE  |
|---------------|------------|--|
| CHOW WANCHUNG | 2014-07-16 | 10 gigabit MagJack®<br>G15-111T-038E<br>PATENTED |
| DRAWN BY      | DATE       |  |
| HU XIANG      | 2014-07-16 |  |

| PART NO. / DRAWING NO. | STANDARD DIM. TOL. IN INCH | [ ] METRIC DIM. AS REFERENCE |
|------------------------|----------------------------|------------------------------|
| G15-111T038E           | .X                         | UNIT : INCH [mm]             |
|                        | .XX                        | SCALE : N/A                  |
|                        | .XXX                       | REV. : PA                    |
|                        |                            | SIZE : A4                    |
|                        |                            | PAGE : 2                     |

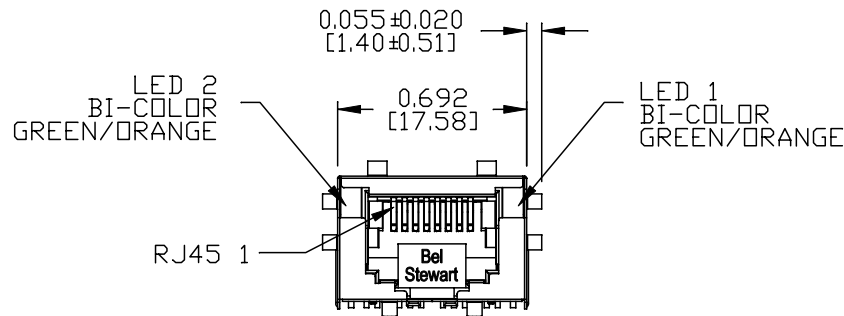
| FILE NAME           |
|---------------------|
| G15-111T038E_PA.DWG |

| FILE NAME           |
|---------------------|
| G15-111T038E_PA.DWG |



THE INFORMATION CONTAINED HEREIN IS CONSIDERED 'PROPRIETARY' TO BEL FUSE INC. AND SHALL NOT BE COPIED, REPRODUCED OR DISCLOSED WITHOUT THE WRITTEN APPROVAL OF BEL FUSE INC.

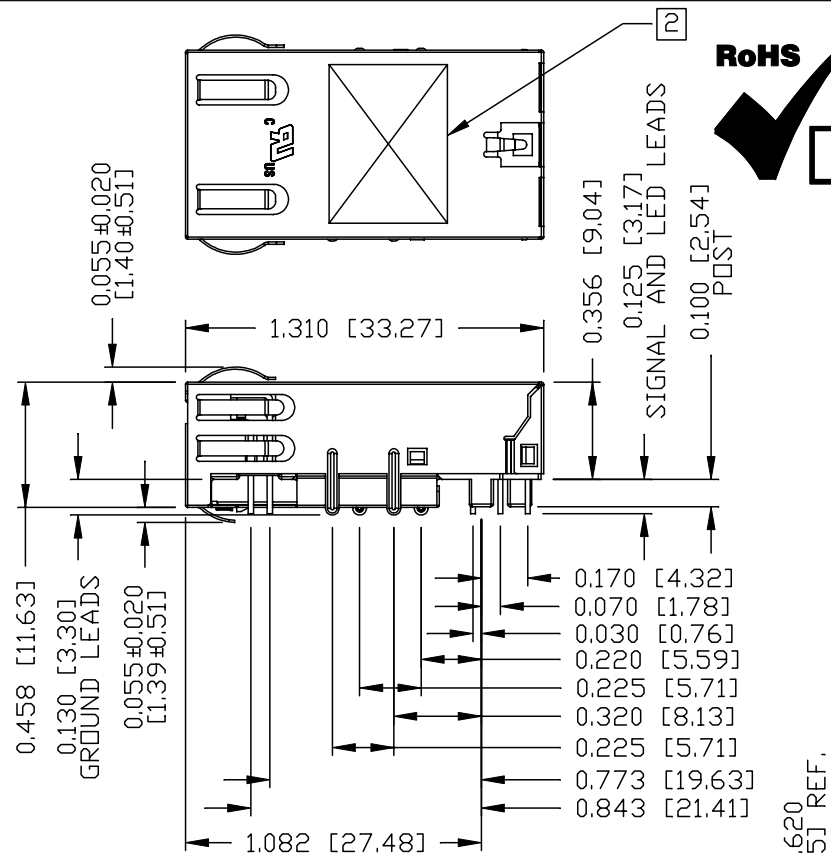
PRELIMINARY



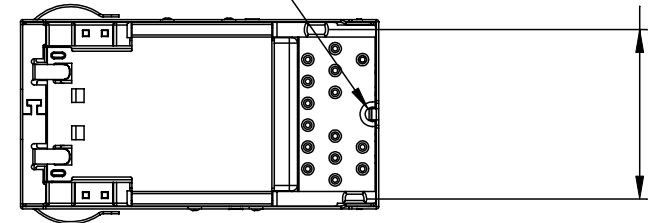
NOTES:

- PLASTIC HOUSING: THERMOPLASTIC PA  
 FLAMMABILITY RATING UL 94V-0  
 CONTACT PLATING: 50 MICRO-INCH HARD GOLD PLATING OR EQUIVALENT  
 OUTPUT PINS: TIN-COATED COPPER WIRE, DIA 0.018 INCH.  
 METAL SHIELD: NICKEL PLATED ON COPPER ALLOY.  
 (ALL GROUND LEADS ARE SOLDER DIPPED)

- JACK CAVITY CONFORMS TO FCC RULES AND REGULATIONS, PART 68 SUBPART F.
- MARK PART WITH MFG LOGO, NAME, PART NUMBER, DATE CODE AND PATENTED.
- UL RECOGNIZED - FILE #E169987.
- THE PRODUCT IS RoHS COMPLIANT WITH NO EXEMPTION AND HALOGEN FREE WITH ANTIMONY TRIOXIDE CONTAIN LESS THAN 1000 PPM.
- THE PRODUCT IS PATENTED. THE PATENT NUMBER ARE U.S. PAT. 7,429,195 AND U.S. PAT. 5,736,910 AND U.S. PAT. 6,840,817 & U.S. PAT. 7,123,117 AND U.S. PAT. 7,924,130.
- THE PRODUCT IS FOR WAVE SOLDER ONLY.



GROUNDING OF BOTTOM PCB



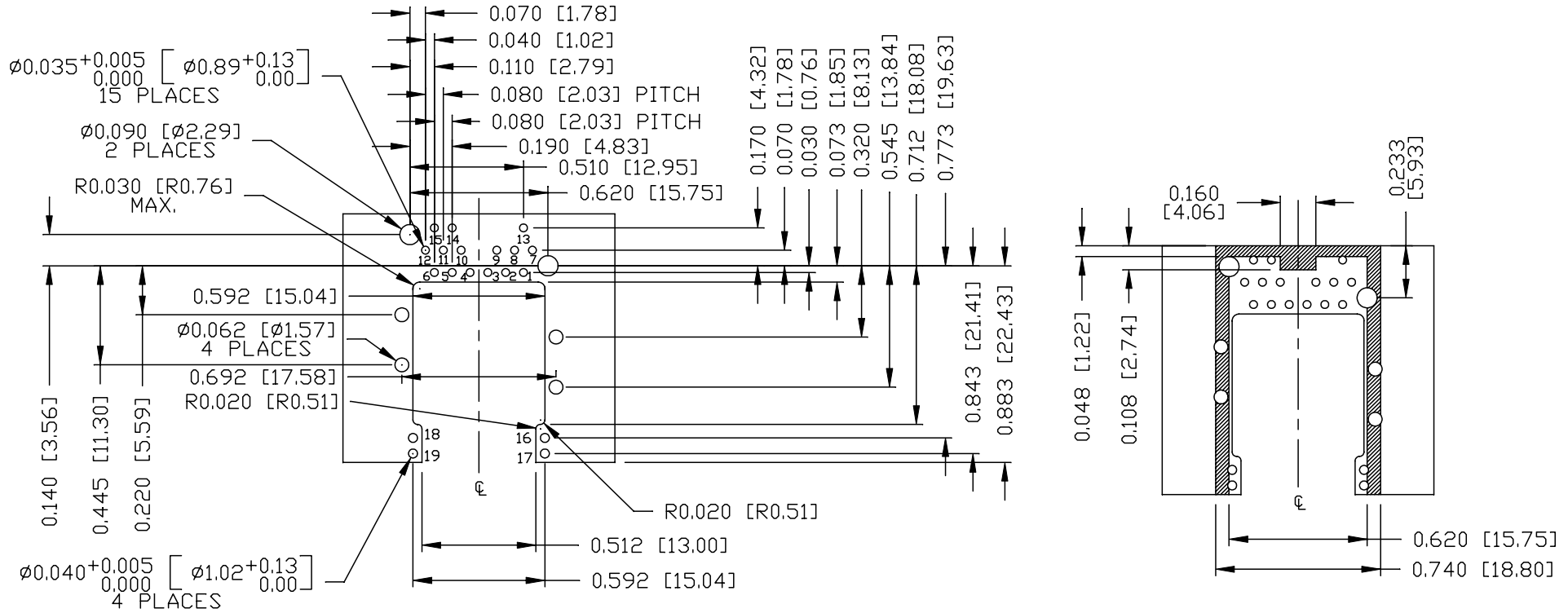
|               |            |  |                        |                            |                              |                                       |           |
|---------------|------------|--|------------------------|----------------------------|------------------------------|---------------------------------------|-----------|
| ORIGINATED BY | DATE       | TITLE  | PART NO. / DRAWING NO. | STANDARD DIM. TOL. IN INCH | [ ] METRIC DIM. AS REFERENCE | <br>COMPONENTS FOR A CONNECTED PLANET |           |
| ANTON LIAD    | 2014-07-16 | 10 gigabit MagJack®<br>G15-111T-038E<br>PATENTED | G15-111T038E           | .X                         | UNIT : INCH [mm]             |                                       | REV. : PA |
| DRAWN BY      | DATE       |  | FILE NAME              | .XX                        | SCALE : N/A                  |                                       | SIZE : A4 |
| JESSE LI      | 2014-07-16 | G15-111T038E_PA.DWG                              | .XXX                   | ±0.010                     | PAGE : 3                     |                                       |           |

THE INFORMATION CONTAINED HEREIN IS CONSIDERED "PROPRIETARY" TO BEL FUSE INC. AND SHALL NOT BE COPIED, REPRODUCED OR DISCLOSED WITHOUT THE WRITTEN APPROVAL OF BEL FUSE INC.

PRELIMINARY



RECOMMENDED PCB FOOTPRINT  
< COMPONENT SIDE VIEW >



SUGGESTED FOOTPRINT

NOTES:  
THE SHADED AREA ON THE CUSTOMER BOARD ARE RECOMMENDED TO BE CLEAR OFF ANY VIA HOLE OR COMPONENT PAD.

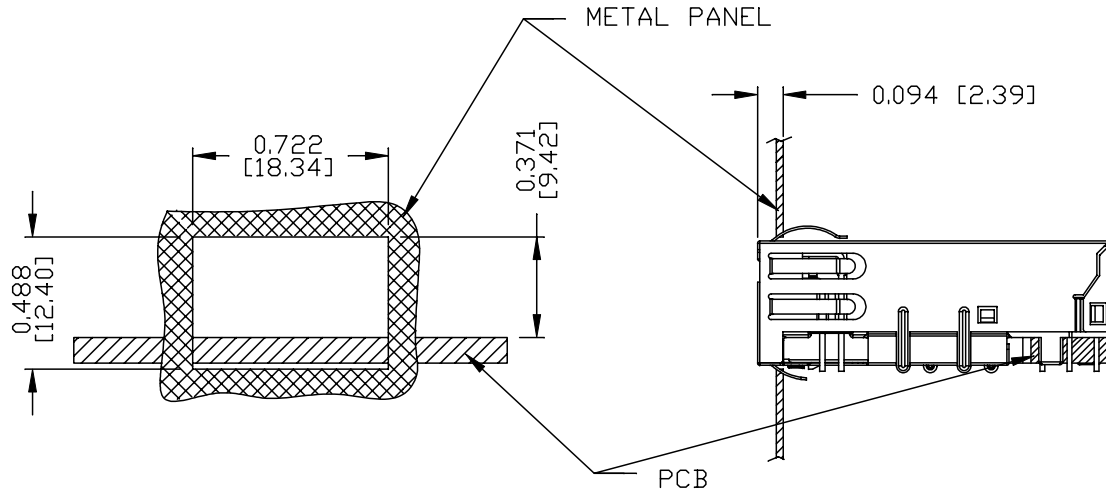
|                             |                    |   |  |                               |                                    |
|-----------------------------|--------------------|---|--|-------------------------------|------------------------------------|
| ORIGINATED BY<br>ANTON LIAO | DATE<br>2014-07-16 | TITLE<br>10 gigabit MagJack®<br>G15-111T-038E<br>PATENTED | PART NO. / DRAWING NO.<br>G15-111T038E | STANDARD DIM.<br>TOL. IN INCH | [ ] METRIC DIM. AS REFERENCE       |
| DRAWN BY<br>JESSE LI        | DATE<br>2014-07-16 |   | FILE NAME<br>G15-111T038E_PA.DWG       | .X<br>.XX<br>.XXX             | ±0.004                             |
|                             |                    |   |  |                               | REV. : PA<br>SIZE : A4<br>PAGE : 4 |



THE INFORMATION CONTAINED HEREIN IS CONSIDERED "PROPRIETARY" TO BEL FUSE INC. AND SHALL NOT BE COPIED, REPRODUCED OR DISCLOSED WITHOUT THE WRITTEN APPROVAL OF BEL FUSE INC.

SUGGESTED PANEL OPENING

PRELIMINARY



NOTE:

THE DISTANCE OF PANEL INSIDE SURFACE RELATIVE TO FRONT SURFACE OF PART IS ONLY A SUGGESTION. IN CASE THIS DISTANCE IS DIFFERENT, THE REQUIRED PANEL OPENING DIMENSIONS CHANGE ACCORDINGLY.

PACKING INFORMATION

PACKING TRAY : 0200M9999-K3 (TOP)

0200M9999-K2 (BOTTOM)

PACKING QUANTITY : 48 PCS FINISHED GOODS PER TRAY.

10 TRAYS (480 PCS FINISHED GOODS) PER CARTON BOX.

REMARK : CARDBOARDS ARE PLACED BETWEEN LAYERS OF PACKING TRAY INSIDE CARTON BOX.  
(INCLUDE THE UPPERMOST AND LOWERMOST TRAY)

| ORIGINATED BY | DATE       | TITLE  | PART NO. / DRAWING NO. | STANDARD DIM. TOL. IN INCH | [ ] METRIC DIM. AS REFERENCE |
|---------------|------------|--|------------------------|----------------------------|------------------------------|
| ANTON LIAO    | 2014-07-16 | 10 gigabit MagJack®<br>G15-111T-038E<br>PATENTED | G15-111T038E           | .X                         | UNIT : INCH [mm] REV. : PA   |
| DRAWN BY      | DATE       |  |                        | .XX                        | SCALE : N/A SIZE : A4        |
| JESSE LI      | 2014-07-16 |  |                        | .XXX                       | ±0.004                       |

