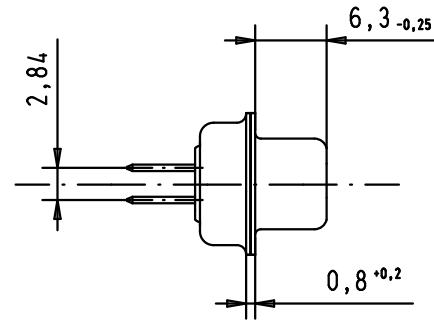
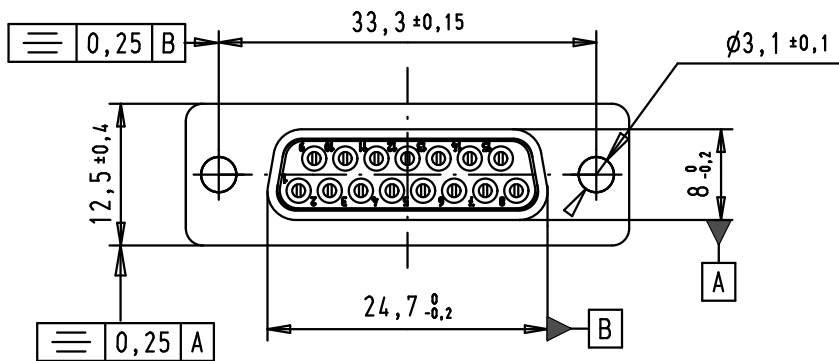


5 4 3 2 1

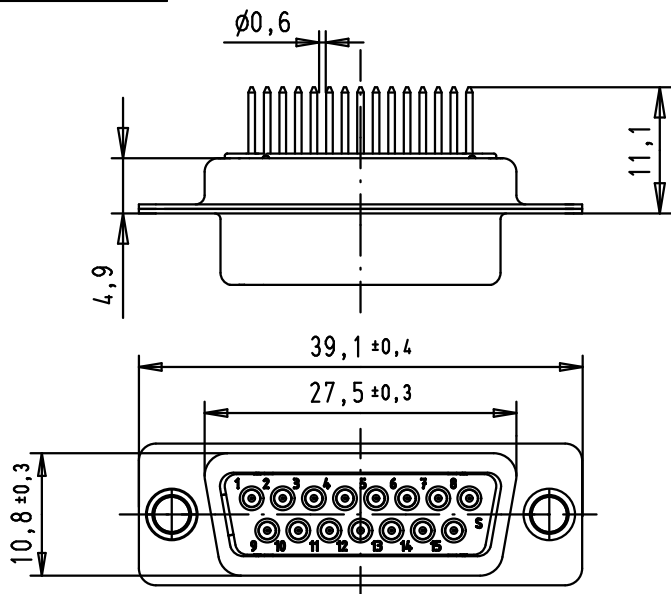
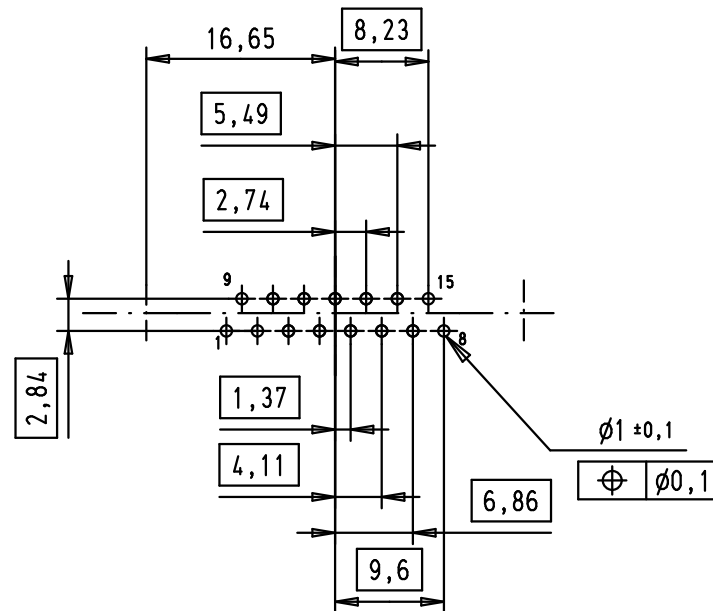
SPECIFICATION

| | |
|-----------------------|------------|
| Performance level | PL2 |
| Filter type | C |
| Capacitance | 3900pf±20% |
| Working Voltage | 100v |
| Current Rating | 7.5A |
| Insulation Resistance | >1GΩ |

| FREQUENCY (MHz) | ATTENUATION (dB) |
|-----------------|------------------|
| 5 | 6dB |
| 10 | 11dB |
| 50 | 25dB |
| 100 | 35dB |
| 500 | 35dB |
| 1000 | 32dB |



PCB Layout Component side



| Mod. | Dat. | Name | Detail. | Dat. | Name |
|-------------------------------|----------|------|---------|----------|------|
| | | | Insp. | 8-JUL-02 | CV |
| | | | Stand. | 09/12/11 | JB |
| 36283 | 09/12/11 | SD | | | |
| 33250 | 03/11/05 | JMDR | | | |
| 31058 | 8-JUL-02 | CV | | | |
| HARTING EURL F-95972 Paris | | | | | |

D-Sub, female, straight,
15 Poles, turned solder pins,
fixing holes

Ma?Mstab/
Scale
1.5:1

TB 09642127240
Sub.

Blatt/ Page
1 / 1

D
C
B
A