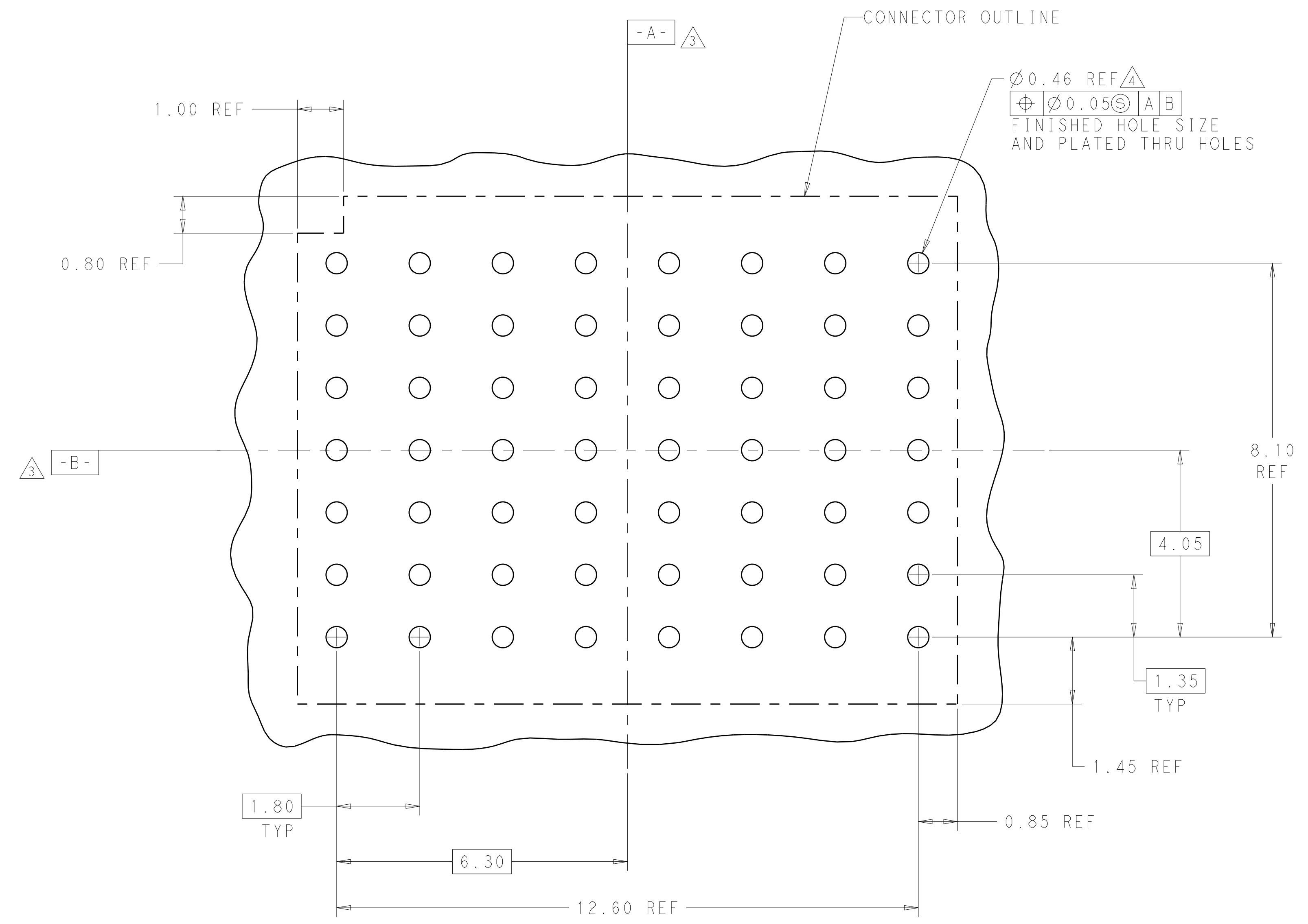
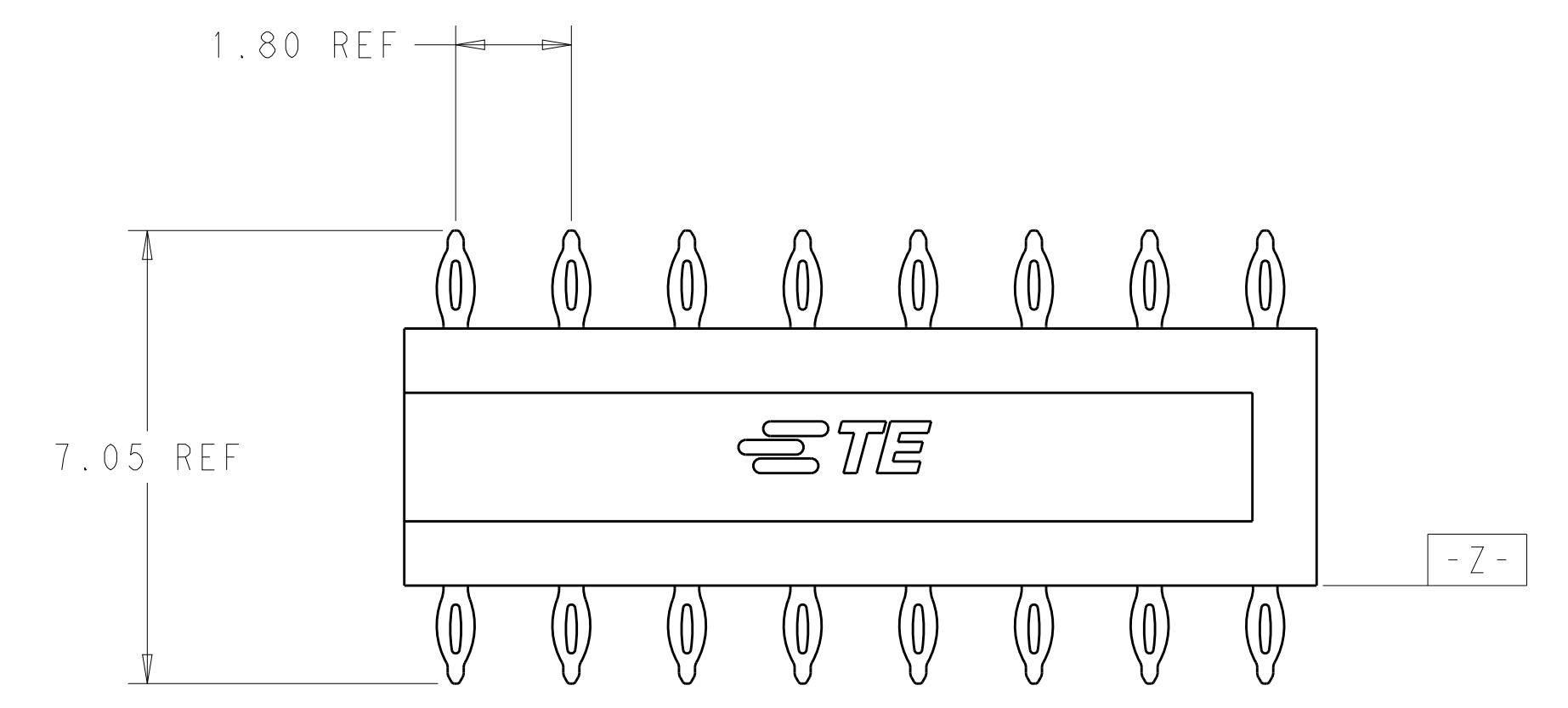
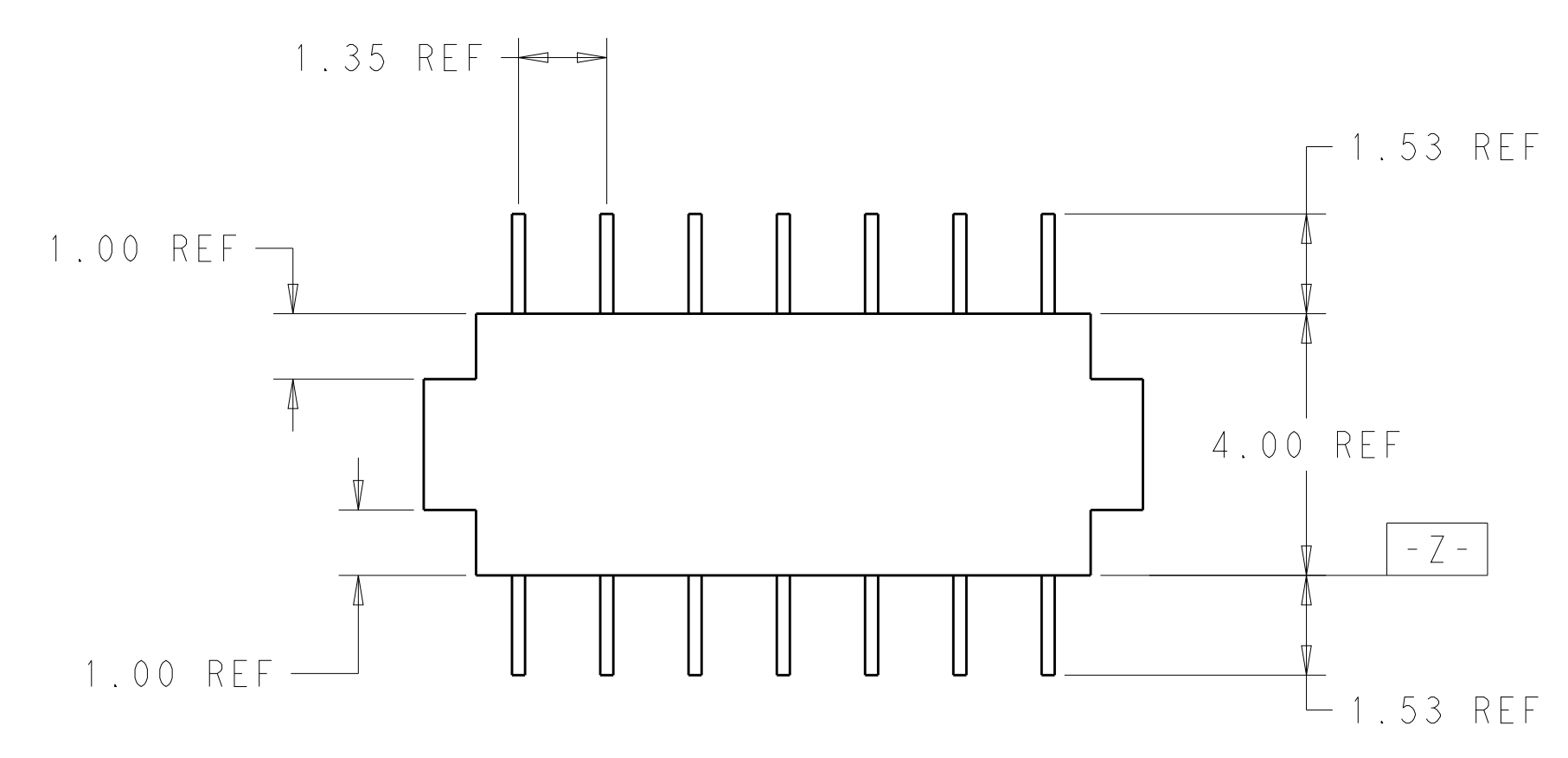
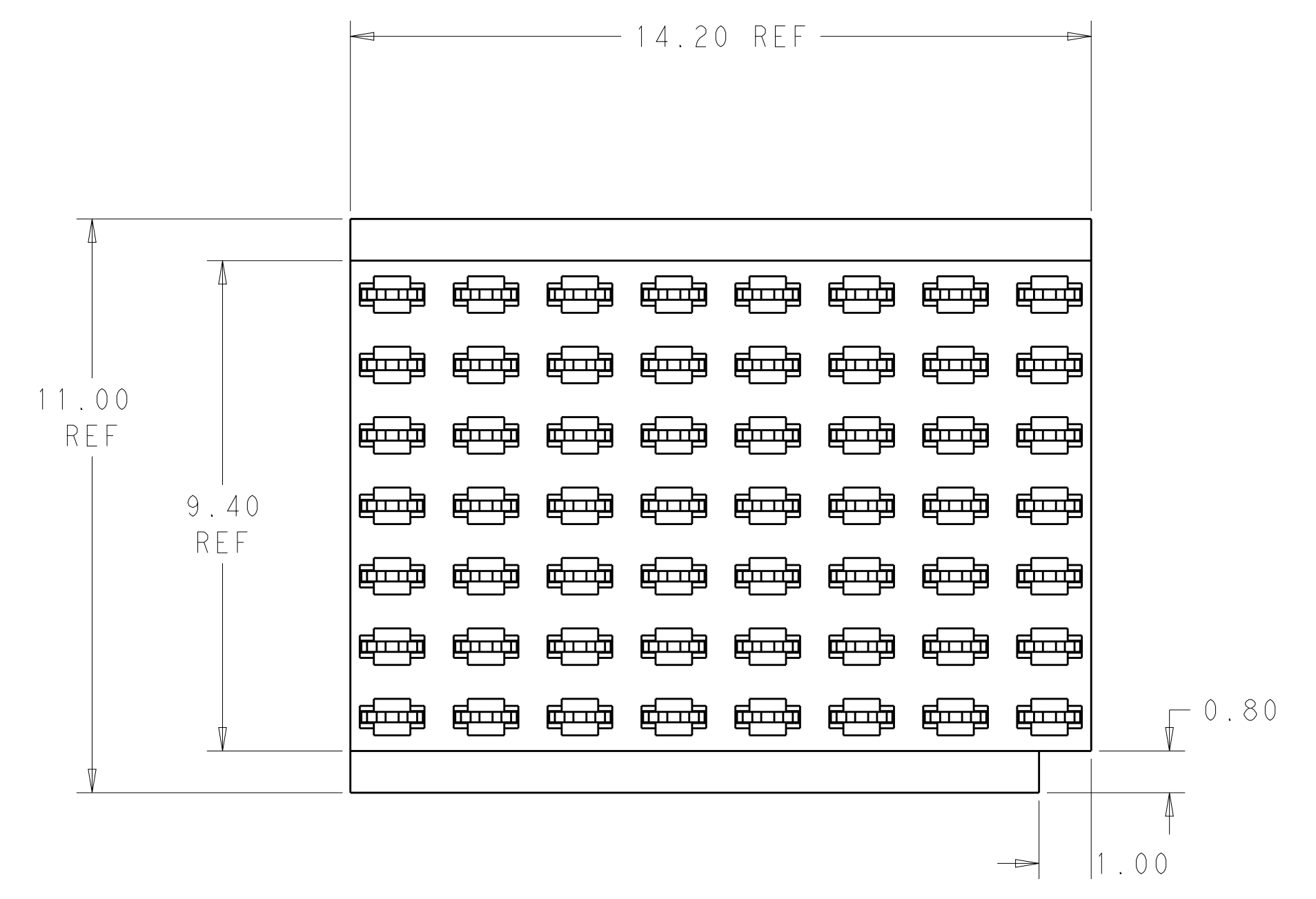


LOC		DIST		REVISIONS			
P	LTN	DESCRIPTION	DATE	DWN	APVD		
B		REV PER ECO 16-000458	8-16-16	CT	DH		



SCALE 15:1



1. MATERIAL:
 HOUSING: LCP, COLOR: BLACK
 CONTACT: COPPER ALLOY

△ FINISH:
 COMPLIANT PIN: 1.27µm MIN TIN LEAD OVER
 1.27µm MIN NICKEL

△ DATUMS AND BASIC DIMENSIONS ESTABLISHED BY CUSTOMER.

△ REFERENCE APPLICATION SPEC 114-32055 FOR RECOMMENDED
 PLATED THRU HOLE DIAMETER AND PLATING THICKNESS
 (TIER 2 RIGHT ANGLE PLUG).

△ FINISH:
 COMPLIANT PIN: 0.5µm MIN TIN OVER
 1.27 µm MIN NICKEL

△ 5	MATTE TIN	2102785-2
△ 2	93/7 TIN LEAD	2102785-1
PLATING	DESCRIPTION	PART NUMBER

THIS DRAWING IS A CONTROLLED DOCUMENT.		DWN D. BELACK 11OCT2011	TE Connectivity
DIMENSIONS: mm		CHK A. TSANG 10-11-2011	
TOLERANCES UNLESS OTHERWISE SPECIFIED:		APVD A. TSANG 10-11-2011	NAME RT2 SFF, FLEX-TO-BOARD, CONNECTOR PRODUCT SPEC 108-32042 APPLICATION SPEC 114-32055 WEIGHT 1.27 CUSTOMER DRAWING
0 PLC	±	RESTRICTED TO	
1 PLC	±0.13	SIZE CAGE CODE DRAWING NO	
2 PLC	±0.05	A100779C=2102785	
3 PLC	±	SCALE 10:1	SHEET 1 OF 1
4 PLC	±	REV B	
ANGLES	±2°		