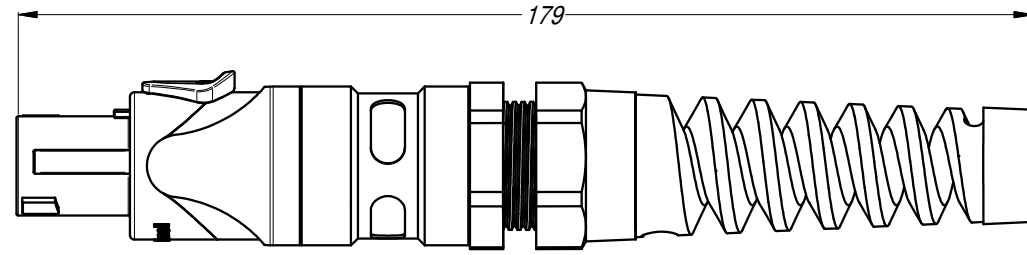
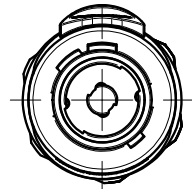
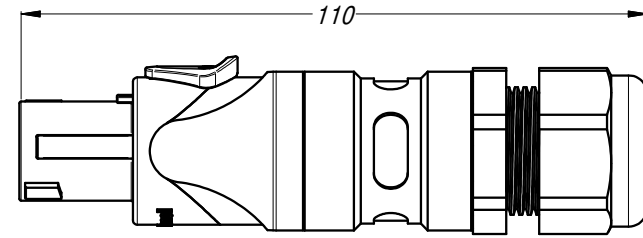
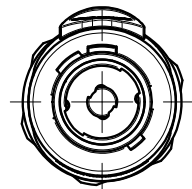


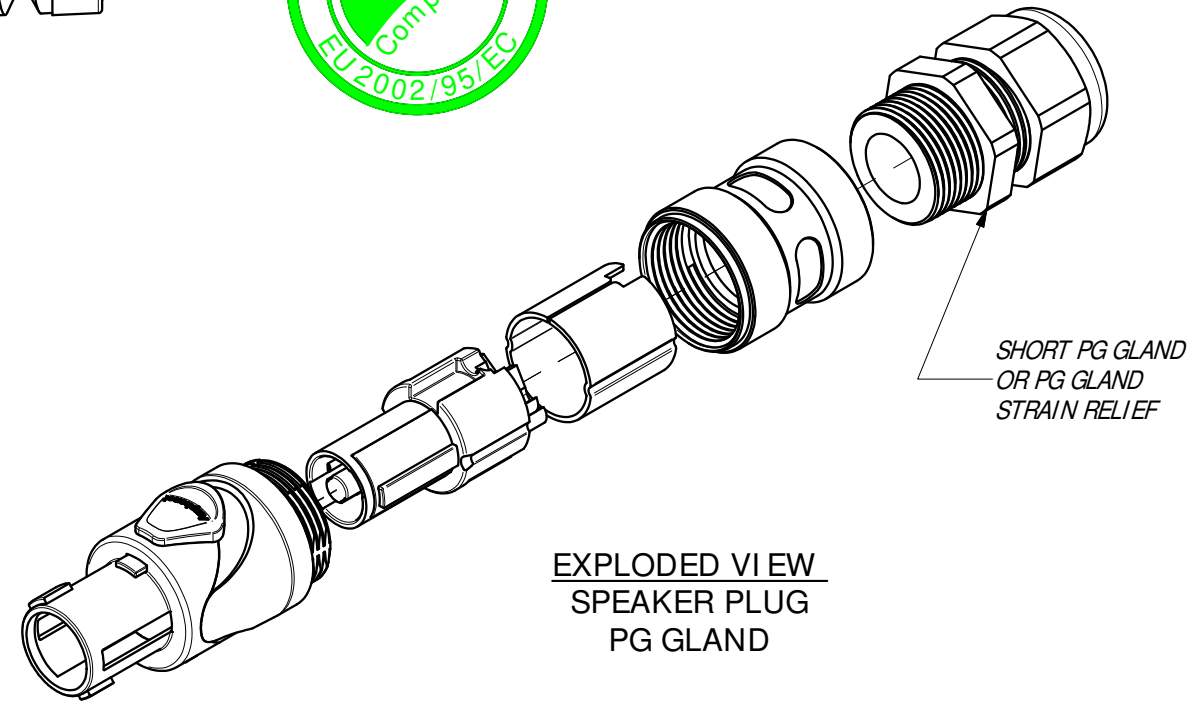
REVISION HISTORY					
REV	ZONE	DESCRIPTION	DATE	BY	EON
1		FIRST RELEASE	30/11/11	T.N	9068



SPEAKER PLUG
PG GLAND STRAIN RELI EF

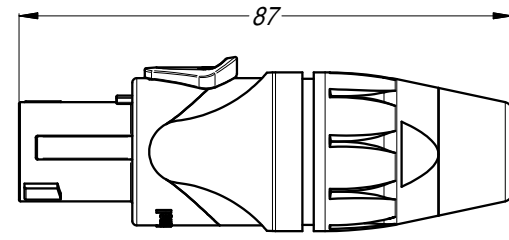
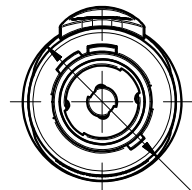


SPEAKER PLUG
PG GLAND

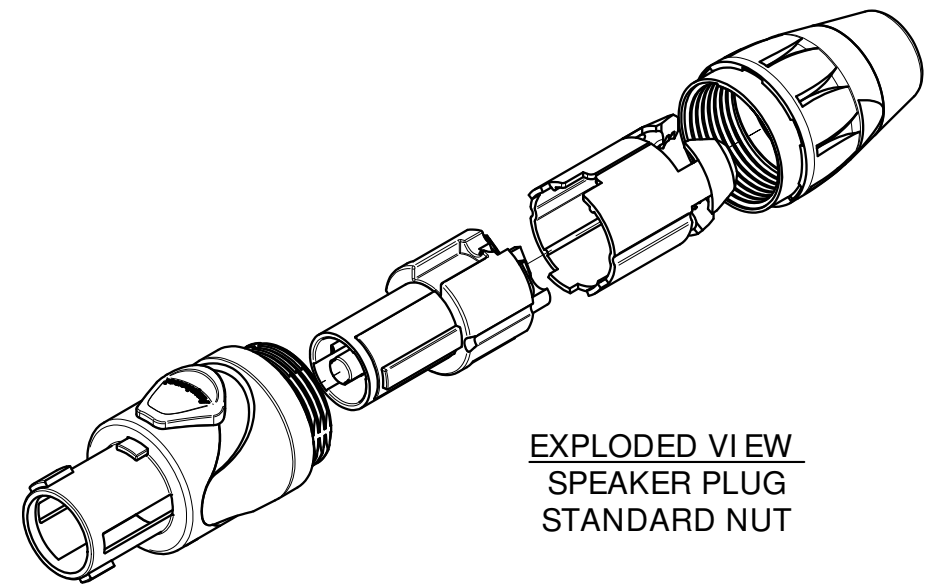


EXPLODED VIEW
SPEAKER PLUG
PG GLAND

SHORT PG GLAND
OR PG GLAND
STRAIN RELIEF

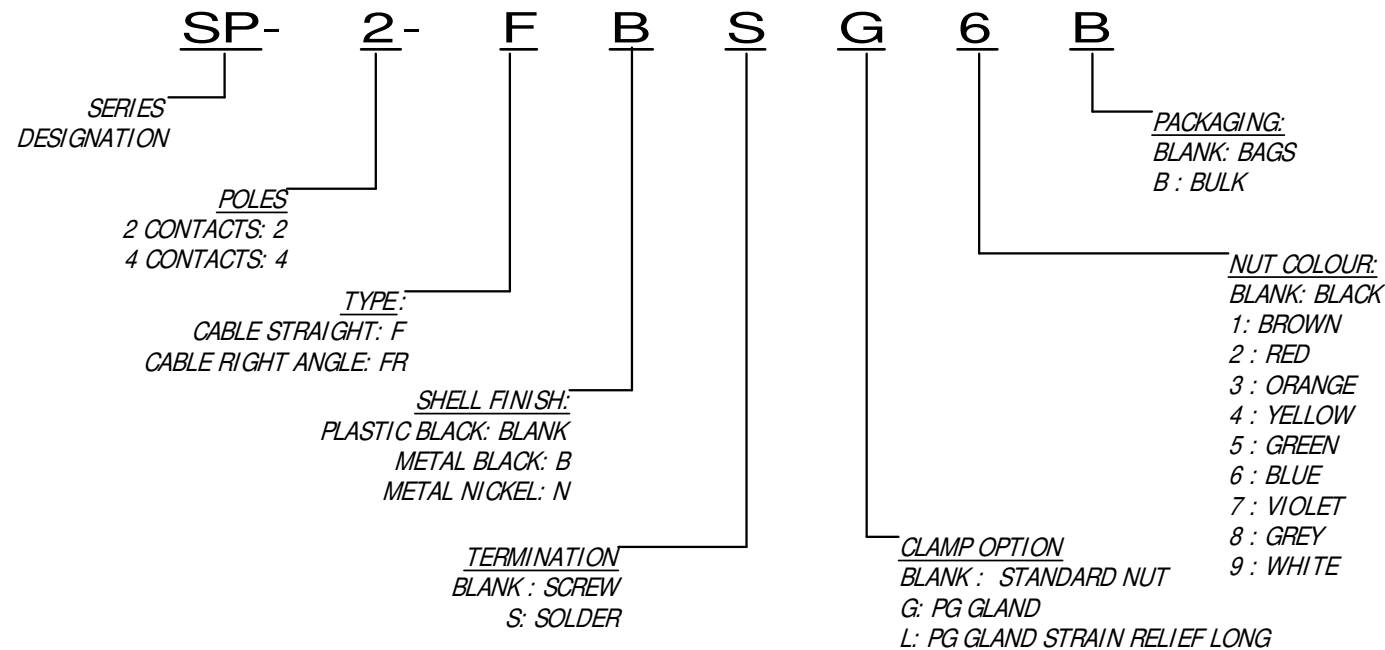


SPEAKER PLUG
STANDARD NUT



EXPLODED VIEW
SPEAKER PLUG
STANDARD NUT

PART NUMBER BREAKDOWN



UNLESS OTHERWISE SPECIFIED TOLERANCE TO BE		THIS DOCUMENT IS THE PROPERTY OF AMPHENOL AUSTRALIA PTY. LTD. NO PART THEREOF MAY BE REPRODUCED AND USED WITHOUT THE PRIOR WRITTEN CONSENT OF THE OWNER				Amphenol Amphenol Australia Pty.Ltd, 2 Fiveways Blvd, Keysborough, VIC 3173	
LINEAR	ANGULAR	MATERIAL: SEE COMPONENTS	DRN: T.N	DATE: 30/11/11	TITLE: LOUD SPEAKER CONNECTOR PLUG SP SERIES		PART No: SEE P/ No BREAKDOWN
X ± 0.5	X' ± 1	BREAK ALL SHARP EDGES AND REMOVE ALL BURRS	CKD: P.M	DATE: 30/11/11	DRAWING NO. 55010772-000-2		SHEET 2/2
X.X ± 0.1	X'X' ± 30'	DO NOT SCALE	APPD: T.N	DATE: 30/11/11	CAD FILE: 55010772000211		
X.XX ± 0.05	X'X'X' ± 15'	DIMENSIONS IN MILLIMETRES	SCALE: NTS	SIZE: A3			