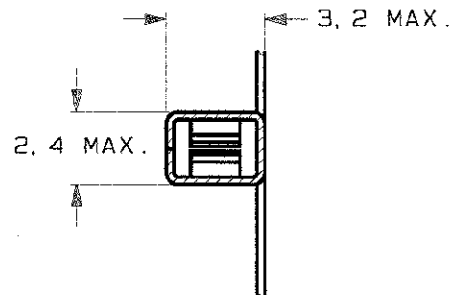
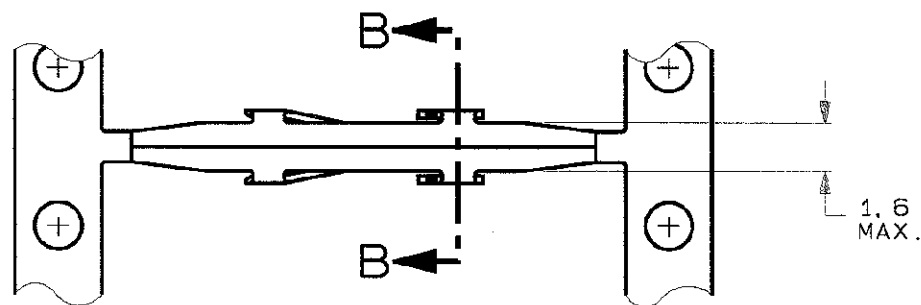
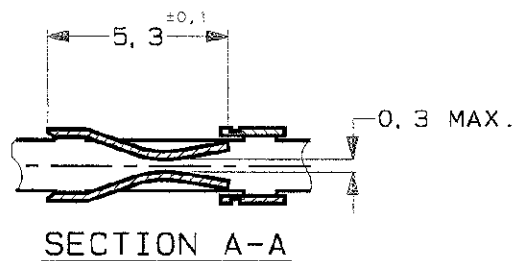


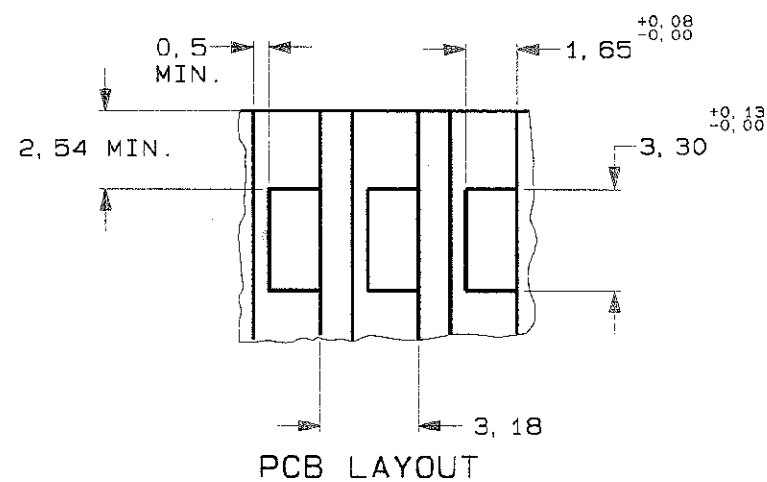
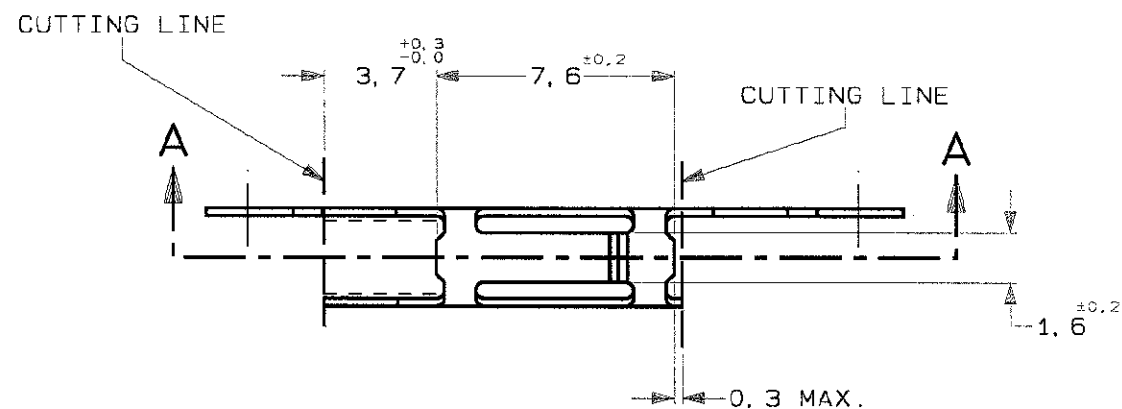
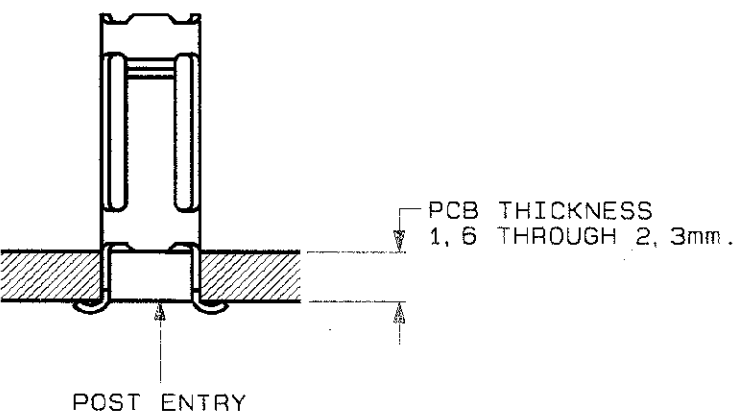
DO NOT SCALE
DIMENSIONS IN mm

METRIC

THIRD ANGLE
PROJECTION



SECTION B-B



NOTES:

- MATERIAL : PHOSPHORBRONZE
- 0,8µm PRETINNED ALL OVER WITH SOLDER REPELLENT STRIPE.

2	338383-1
FINISH	PARTNUMBER STRIP

-	-	-	-	-	-	-
-	-	-	-	-	-	-
-	-	-	-	-	-	-
-	-	-	-	-	-	-
-	-	-	-	-	-	-
-	-	-	-	-	-	-
0	EH-1056-97	JvL	RB	30-09-97		
LTR.	REVISION RECORD	DR.	CHK.	DATE		
DR.:	J.v.LIEMPT	CHK.:	RB	APP.:	ELT/MENS	DWG.No.
DATE:	30 SEP 97	DATE:	25/10/97	DATE:	24/10/97	C-338383

CUSTOMER DRAWING FOR REFERENCE ONLY WILL NOT BE UPDATED

© COPYRIGHT 19- BY AMP HOLLAND B.V.
ALL INTERNATIONAL RIGHTS RESERVED. AMP PRODUCTS MAY BE COVERED BY U.S. AND FOREIGN AND/OR PATENTS PENDING.

THIS DRAWING IS UNPUBLISHED
RELEASED FOR PUBLICATION

AMP AMP HOLLAND B.V.
's-Hertogenbosch,
The Netherlands.

NAME
AMP MODU MODI FEMALE CONTACT
BOTTOM ENTRY (TYPE A)

REV. LTR.	SHEET	
0	1 OF 1	A3