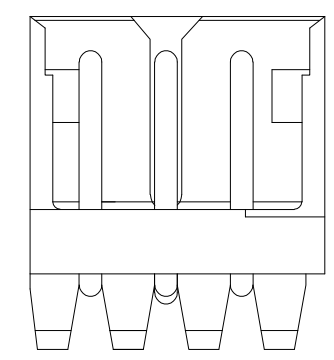
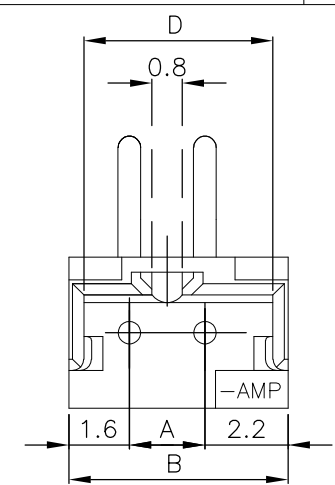
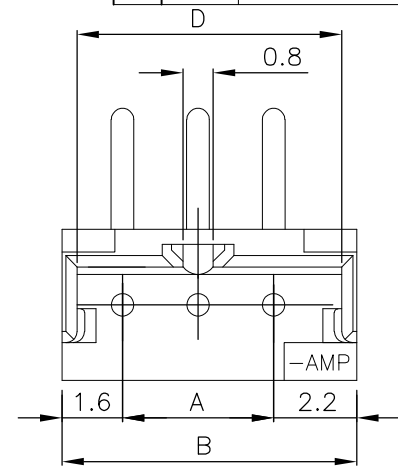
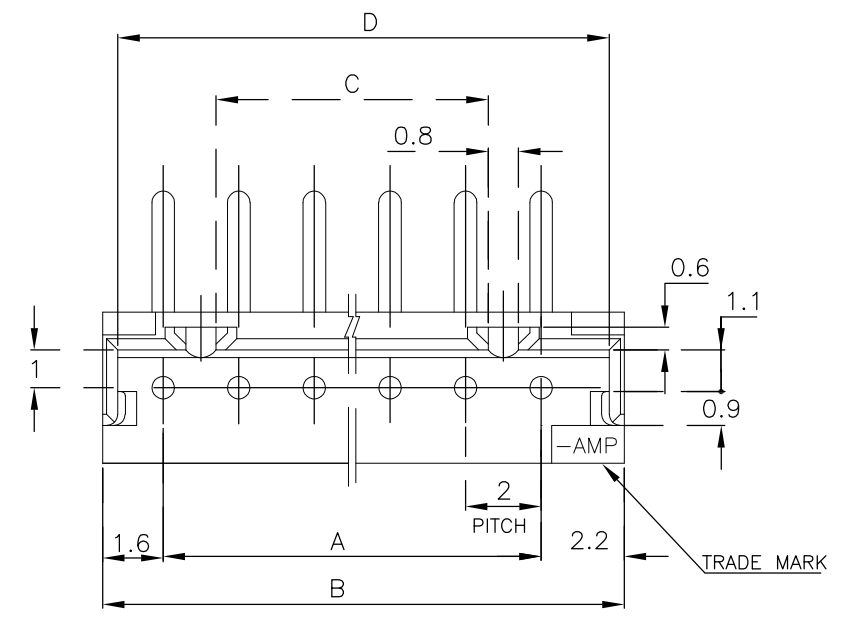
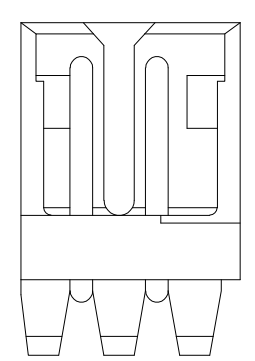


THIS DRAWING IS UNPUBLISHED. RELEASED FOR PUBLICATION  
 © COPYRIGHT - By - ALL RIGHTS RESERVED.

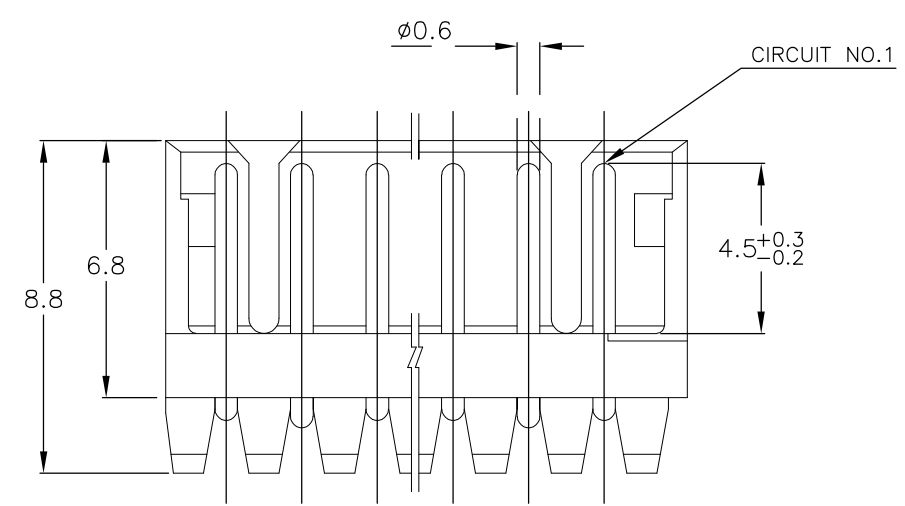
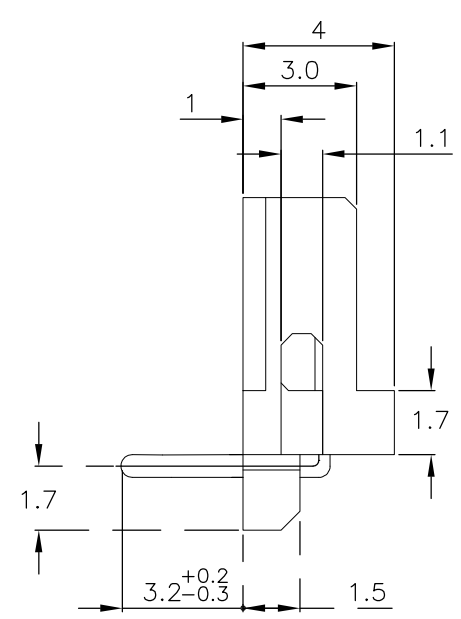
P	LTR	DESCRIPTION	DATE	DWN	APVD
A	RELEASED	ECR-16-004636	15DEC12	T.Q	W.H



3 Pos.



2 Pos.

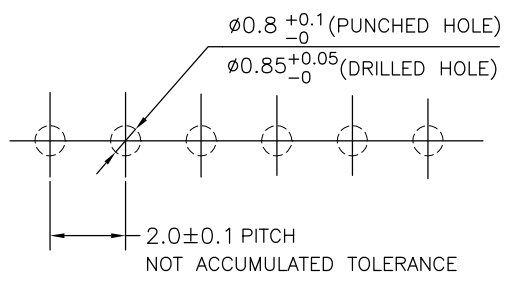


4~15 Pos.

NOTES:

- 1.MATERIAL: HOUSING - NYLON 66 (UL94V-0)  
POST - TIN BRASS
- 2.THIS PRODUCT IS "NO-KINK" VERSION OF P/N 292253
- 3.MATING RECEPTACLE P/N 173977
- 4.OBSOLETED RED COLOR PARTS.

					15	28	31.8	25.2	31.0
					14	26	29.8	23.2	29.0
					13	24	27.8	21.2	27.0
					12	22	25.8	19.2	25.0
9-292143-2	7-292143-2	5-292143-2	3-292143-2	1-292143-2	11	20	23.8	17.2	23.0
9-	-1	7-	-1	5-	-1	3-	-1	1-	-1
9-	-0	7-	-0	5-	-0	3-	-0	1-	-0
8-	-9	6-	-9	4-	-9	2-	-9	-9	9
8-	-8	6-	-8	4-	-8	2-	-8	-8	8
8-	-7	6-	-7	4-	-7	2-	-7	-7	7
8-	-6	6-	-6	4-	-6	2-	-6	-6	6
8-	-5	6-	-5	4-	-5	2-	-5	-5	5
8-	-4	6-	-4	4-	-4	2-	-4	-4	4
8-	-3	6-	-3	4-	-3	2-	-3	-3	3
8-292143-2	6-292143-2	4-292143-2	2-292143-2	292143-2	2	2	5.8	3/4	5.0
RED	BLACK	YELLOW	BLUE	NATURAL	Pos.	A	B	C	D



RECOMMENDABLE PCB LAYOUT (PCB THK:0.8-1.6)

TOLERANCES UNLESS OTHERWISE SPECIFIED:

10 > *	:	±0.2
30 > * > 10	:	±0.25
100 > * > 30	:	±0.3
ANGLE	:	±3°

THIS DRAWING IS A CONTROLLED DOCUMENT.

DIMENSIONS:	TOLERANCES UNLESS OTHERWISE SPECIFIED:
mm	0 PLC ± -
	1 PLC ± -
	2 PLC ± -
	3 PLC ± -
	4 PLC ± -
	ANGLES ± -
MATERIAL	FINISH
SEE NOTE	SEE NOTE

STE TE Connectivity

POST HEADER ASS'Y HORIZONTAL TYPE (AMP CT CONNECTOR 2mm PITCH)

108-60016

0.000000

A300779 C-292143

SCALE 5:1 SHEET 1 OF 1 REV A