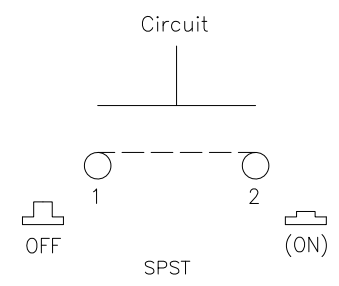
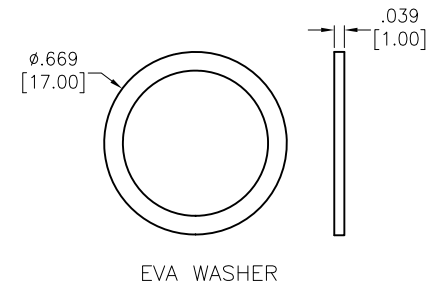
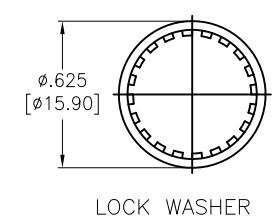
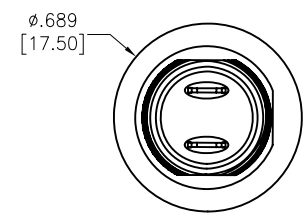
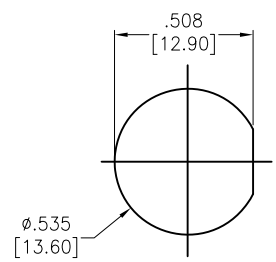
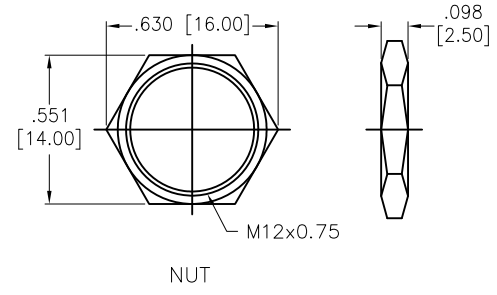
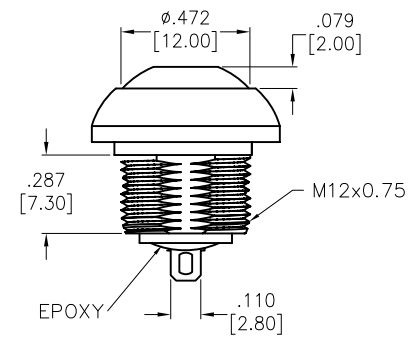
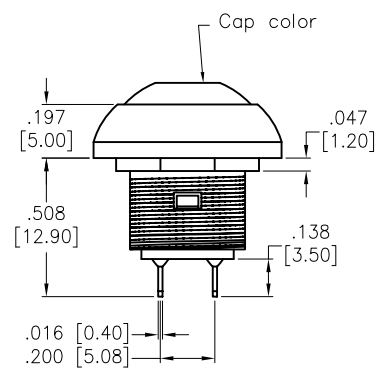


Rev	AWO #	Description	Date	Appr
-		RELEASED	2/18/21	
A		ADDED SPEC.	6/21/21	WX/RC

APPROVED: _____
 DATE: _____ TITLE: _____



SW-PB11-1CSX-10

CAP COLOR
K=BLACK
R=RED
G=GREEN

SPECIFICATIONS:
 Material:
 Case: Dially Phthalate, rated UL 94V-0
 Cap: Polyamide66, Color: See Chart
 Bushing: Polyamide66
 Terminal: Gold over Silver Plated
 Electrical:
 Rating: 400mA 32VAC
 100mA 50VDC
 125mA 125VAC
 500mA 48VAC
 200mA 50VDC
 Contact resistance: 50 mΩ max
 Insulation resistance: 1G-ohms min @500VDC
 Dielectric withstanding voltage: 1,000 VAC For 1 Minute
 Electrical Life: 500,000 Cycles
 Temperature Rating:
 Operating temperature: -30°C to +85°C
 Environmental: **A**
 IP67 front panel protection
 Lead free, RoHS compliant



UNLESS OTHERWISE SPECIFIED
 ALL DIMENSIONS ARE INCHES [MM]
 TOLERANCES: EXCEPT AS NOTED

INCHES		HOLES	
.X	± .10	∅.X	± .10
.XX	± .020	∅.XX	± .015
.XXX	± .015	∅.XXX	± .010

APPROVALS		DATE
DRAWN	LH	2/18/21
CHECKED	AC	2/18/21
APPROVED		

ADAM TECH 909 Rahway Avenue,
 Union, NJ 07083
 Phone: 908-687-5000
 Fax: 908-687-5710

TITLE
**IP67 PUSH BUTTON SWITCH, SOLDER TYPE
 SPST, OFF-MOMENTARY, GOLD OVER SILVER PLATED**

SIZE	PART NO.	REV.
X	SW-PB11-1CSX-10	A

REF: S00198T SCALE: NTS SHEET 1 OF 1

6 5 4 3 2 1

6 5 4 3 2 1