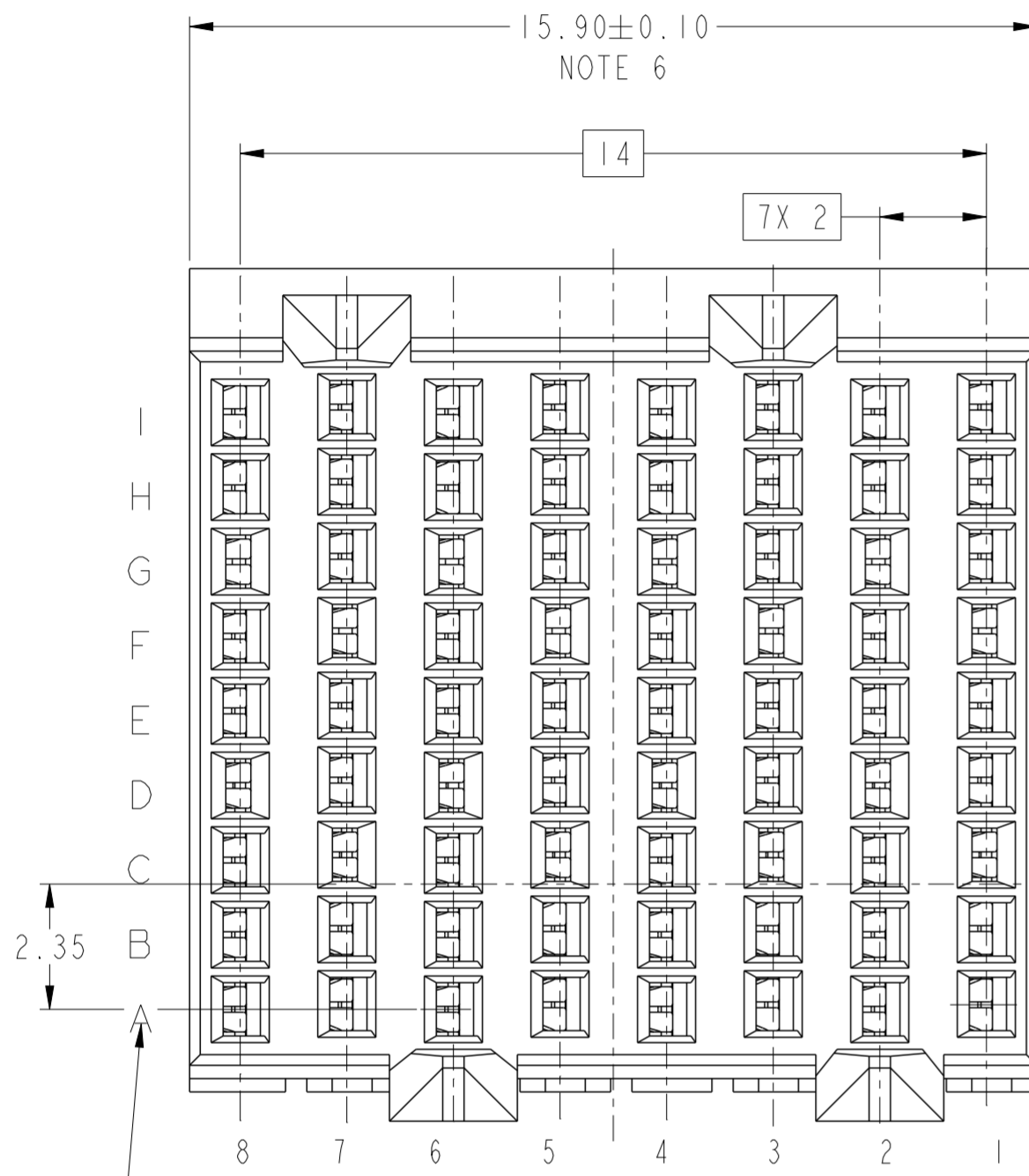


PRODUCT NUMBER  
SEE SHEET 3



TOP SURFACE OF DAUGHTER CARD

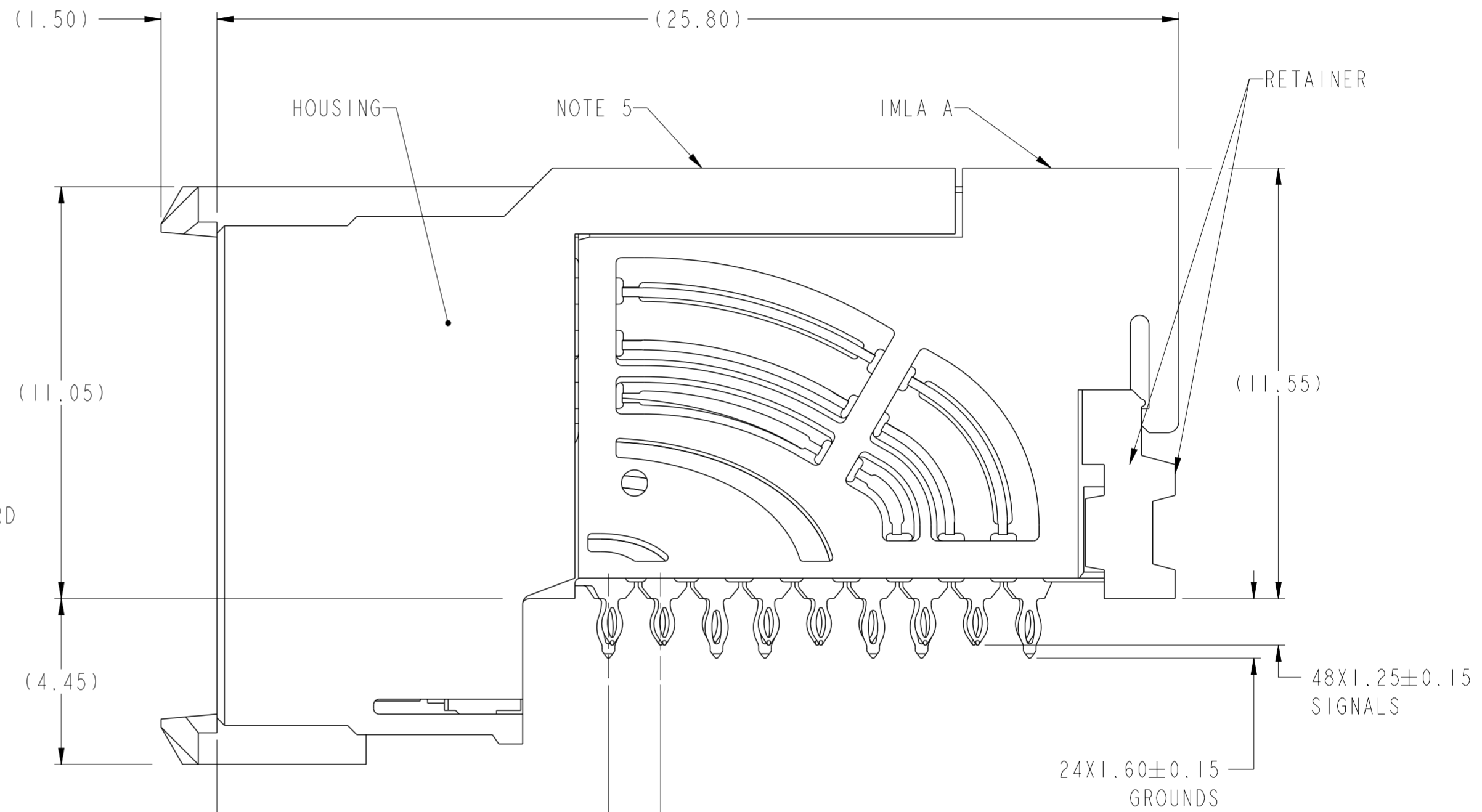
2.25

COLUMN ID

EVEN COLUMN, CONTACT ROW ID  
ODD AND EVEN COLUMNS ARE OFFSET

ODD COLUMN, CONTACT ROW ID

10.50¢ OF EVEN COLUMNS  
10.60¢ OF ODD COLUMNS



spec ref	---	dr	Lin-Soe Ngwe	2012/10/05	projection	MM	size	A2	scale	1:1		
tolerance std	ASME Y14.5M	eng	Terry Luo	2019/04/23			ecn no	ELX-DG-33321-1	title AIRMAX VSE R.A. RECEPTACLE ASS'Y, 3 PAIR, 72 POS, 8 IMLA, 16MM cat. no.	rel level	Released	
TOLERANCES UNLESS OTHERWISE SPECIFIED		chr	-	product family			AirMax VSE	rel level		Released	rev	C
surface	linear 0.X ±.3 0.XX ±.10 0.XXX ±.050 angular 0° ±°	appr	Heaven Cen	2019/04/26			dwg no	10122263		sheet 1 of 3		

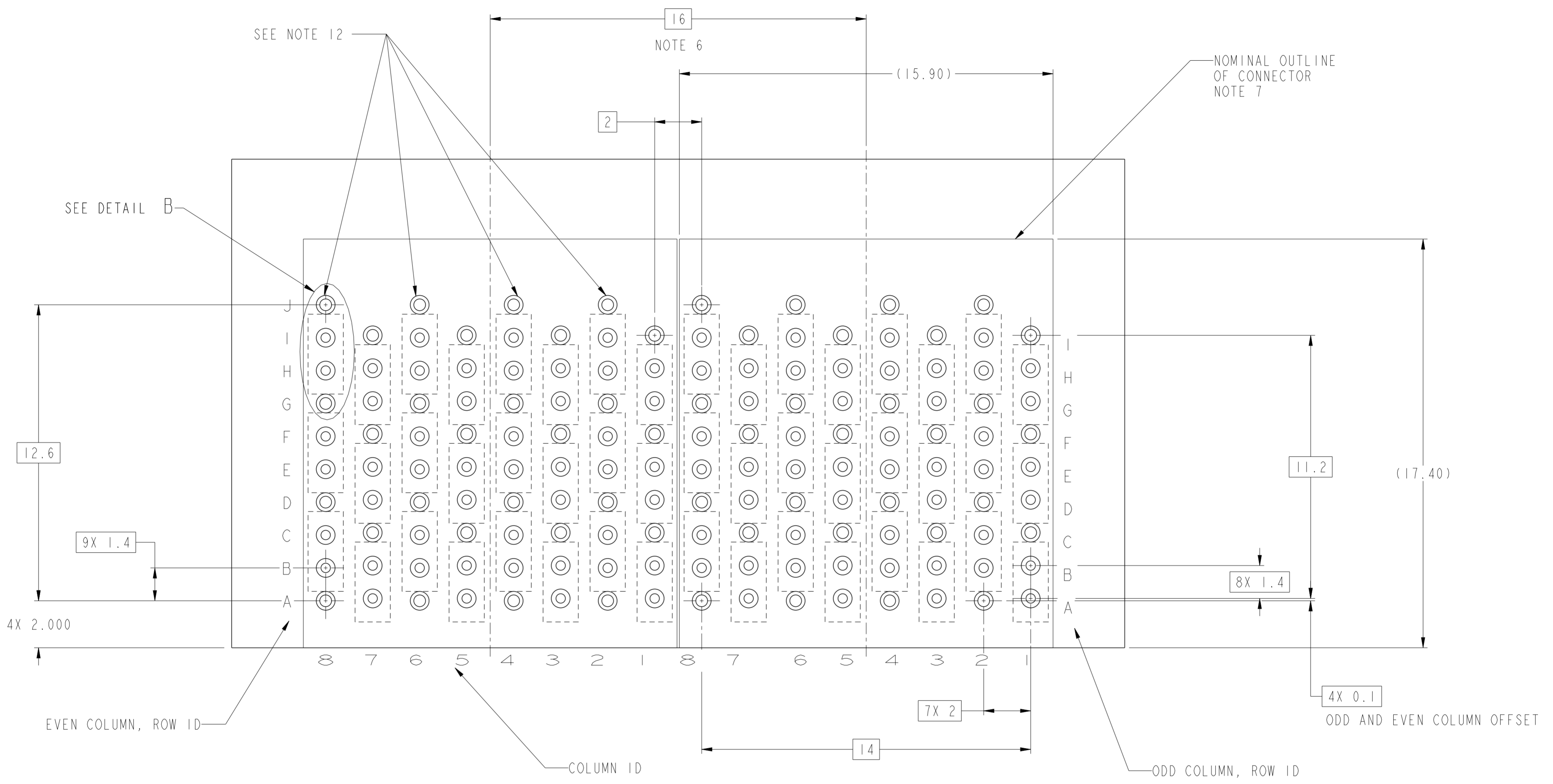
PDS: Rev :C

STATUS:Released

Printed: Apr 26, 2019

Amphenol FCI

© 2016 AFCI

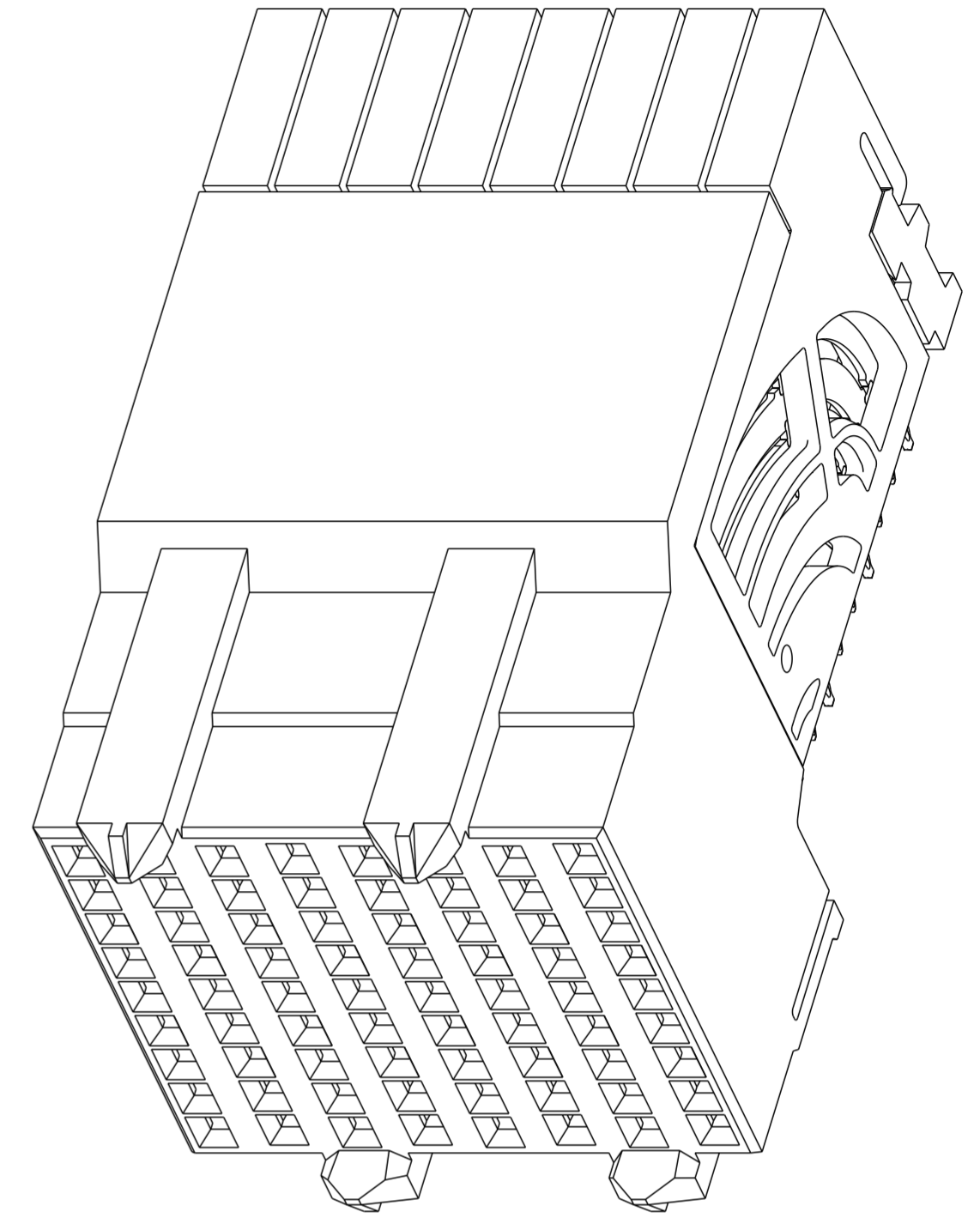


RECOMMENDED PCB LAYOUT  
FOR DIFFERENTIAL APPLICATIONS  
COMPONENT SIDE  
(TWO ADJACENT FOOTPRINTS SHOWN)  
NOTES 6, 8, & 11

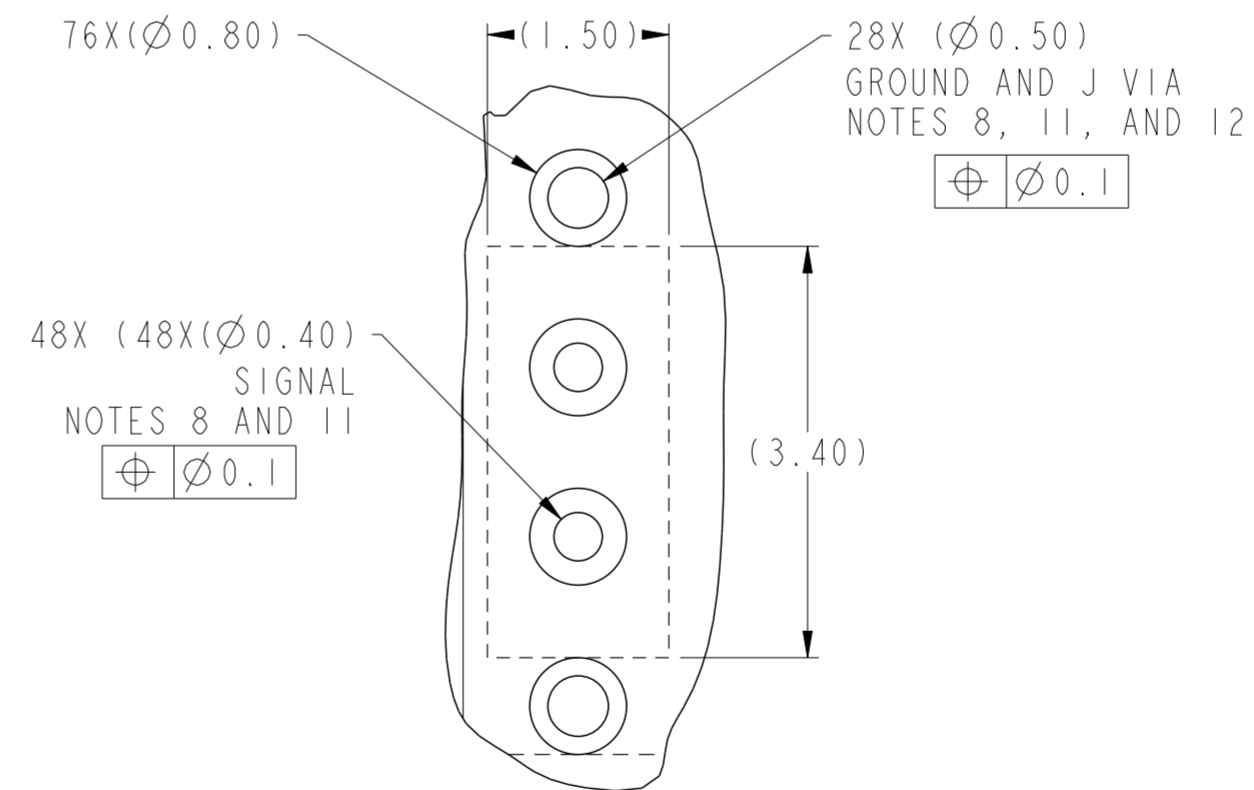
spec ref	---	dr	Lin-Soe Ngwe	2012/10/05	projection	MM	size	A2	scale	1:1
tolerance std	ASME Y14.5M	eng	Terry Luo	2019/04/23			ecn no	ELX-DG-33321-1	rel level	Released
TOLERANCES UNLESS OTHERWISE SPECIFIED		chr	-	product family			AirMax VSE			
surface	-	appr	Heaven Cen	2019/04/26	<b>Amphenol FCI</b>		title	AIRMAX VSE R.A. RECEPTACLE ASS'Y, 3 PAIR, 72 POS, 8 IMLA, 16MM		rev C
	linear						cat. no.	Product - Customer Drw	sheet 2 of 3	
	angular	0°	±							

PRODUCT NUMBER	PRESS-FIT TAIL PLATING TYPE
10122263-101	TIN/LEAD ALLOY OVER NICKEL
10122263-101LF	TIN OVER NICKEL (LEAD FREE)

- 1 - CONNECTOR MATERIALS:  
HOUSING: HIGH TEMP THERMOPLASTIC, NATURAL, UL94-V0  
IMLA PLASTIC: HIGH TEMP THERMOPLASTIC, BLACK, UL94-V0  
CONTACT: COPPER ALLOY  
ORGANIZER: HIGH TEMP THERMOPLASTIC, NATURAL, UL94-V0
- 2 - CONTACT PLATING:  
SEPARABLE INTERFACE:  
PERFORMANCE-BASED PLATING, QUALIFIED TO MEET THE REQUIREMENTS OF FCI PRODUCT SPECIFICATION GS-12-0956 INCLUDING TELCORDIA GR-1217-CORE (NOVEMBER 1995) CENTRAL OFFICE TEST SEQUENCE
- PRESS-FIT TAILS: SEE TABLE
- 3 - PRODUCT SPECIFICATION: GS-12-0956
- 4 - APPLICATION SPECIFICATION: GS-20-0305.
- 5 - PRODUCT MARKING, (PART NUMBER & LOT CODE), ON THIS SURFACE.
- 6 - THE MINIMUM CENTERLINE SPACING BETWEEN ADJACENT MODULES IS 16.0 MM.
- 7 - CONNECTOR OUTLINE MAY BE SCREEN PRINTED ONTO CUSTOMER PCB TO BE USED AS A GUIDE FOR MANUAL CONNECTOR PLACEMENT.
- 8 - REFER TO CUSTOMER DRAWING 10104444 FOR INFORMATION ON PCB HOLE DIAMETERS AND PLATING OPTIONS
- 9 - LEAD FREE PRODUCT MEETS THE EUROPEAN UNION DIRECTIVES & OTHER COUNTRY REGULATIONS AS DESCRIBED IN GS-22-008
- 10 - PACKAGING MEETS GS-14-920 LEAD FREE LABELING SPECIFICATION.
- 11 - GROUND CONTACTS (C,F, AND I IN ODD COLUMNS AND A, D, AND G, EVEN COLUMNS) REQUIRE (Ø0.500) FINISHED HOLES. SIGNAL LOCATIONS REQUIRE (Ø0.400) FINISHED HOLES.
- 12 - THESE OUTER VIAS (J) ARE OPTIONAL. WHILE NO CONNECTOR EONS ARE PRESSED INTO THESE HOLES WE RECCOMEND (Ø0.500) FINISHED HOLES AT THESE LOCATIONS TO PROVIDE GROUND SYMMETRY THROUGH THE PCB.



10122263-101 OR -101LF



DETAIL B  
SCALE 16:1

spec ref	---	dr	Lin-Soo Ngwe	2012/10/05	projection	MM	size	A2	scale	4:1																
tolerance std	ASME Y14.5M	eng	Terry Luo	2019/04/23			ecn no	ELX-DG-33321-1																		
TOLERANCES UNLESS OTHERWISE SPECIFIED		chr					rel level	Released																		
		appr	Heaven Cen				product family																			
surface	<table border="1"> <tr> <td>linear</td> <td>0.X</td> <td>±.3</td> </tr> <tr> <td></td> <td>0.XX</td> <td>±.10</td> </tr> <tr> <td></td> <td>0.XXX</td> <td>±.050</td> </tr> <tr> <td>angular</td> <td>0°</td> <td>±°</td> </tr> </table>	linear	0.X	±.3		0.XX	±.10		0.XXX	±.050	angular	0°	±°			<b>AIRMAX VSE R.A. RECEPTACLE</b> ASS'Y, 3 PAIR, 72 POS, 8 IMLA, 16MM		<table border="1"> <tr> <td>cat. no.</td> <td>10122263</td> </tr> </table>	cat. no.	10122263	<table border="1"> <tr> <td>rev</td> <td>C</td> </tr> </table>	rev	C			
linear	0.X	±.3																								
	0.XX	±.10																								
	0.XXX	±.050																								
angular	0°	±°																								
cat. no.	10122263																									
rev	C																									
					Product - Customer Drw		sheet 3 of 3																			

PDS: Rev :C

STATUS:Released

Printed: Apr 26, 2019