

THIS DRAWING IS UNPUBLISHED.

RELEASED FOR PUBLICATION

© COPYRIGHT - By -

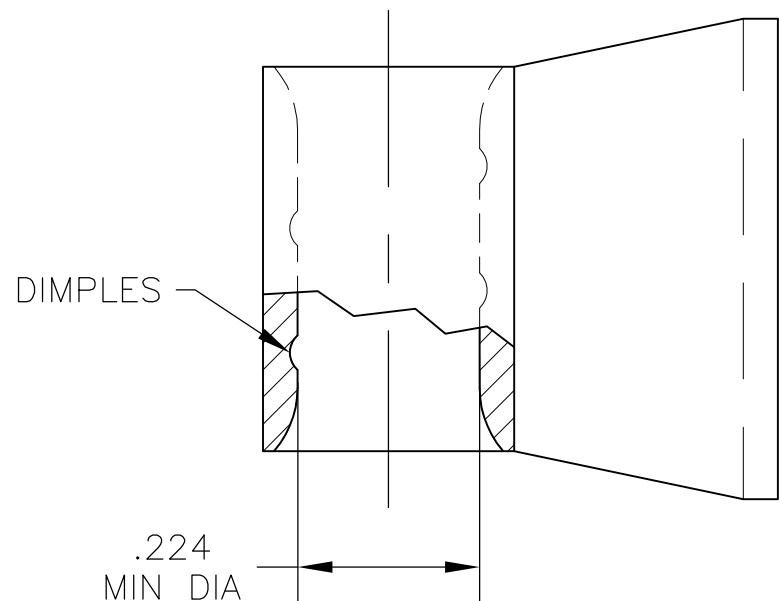
ALL RIGHTS RESERVED.

LOC
G

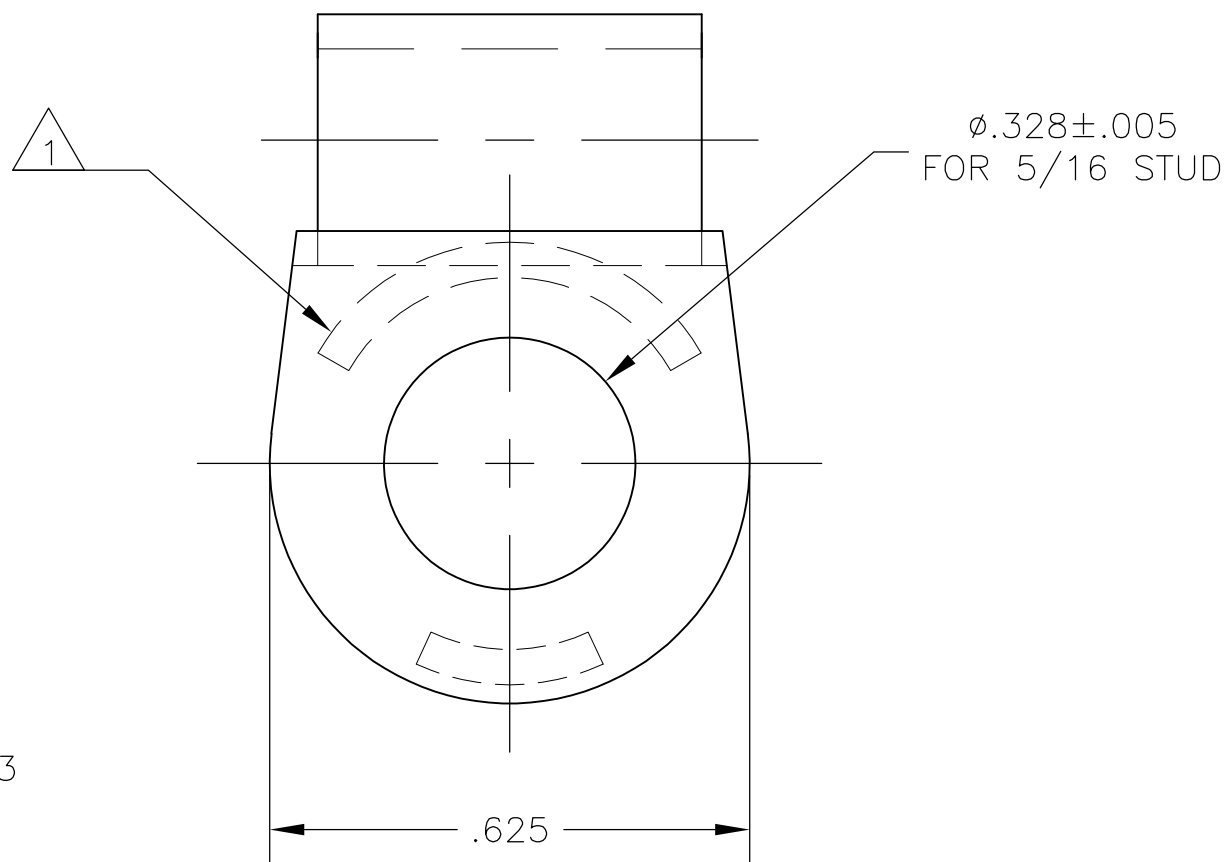
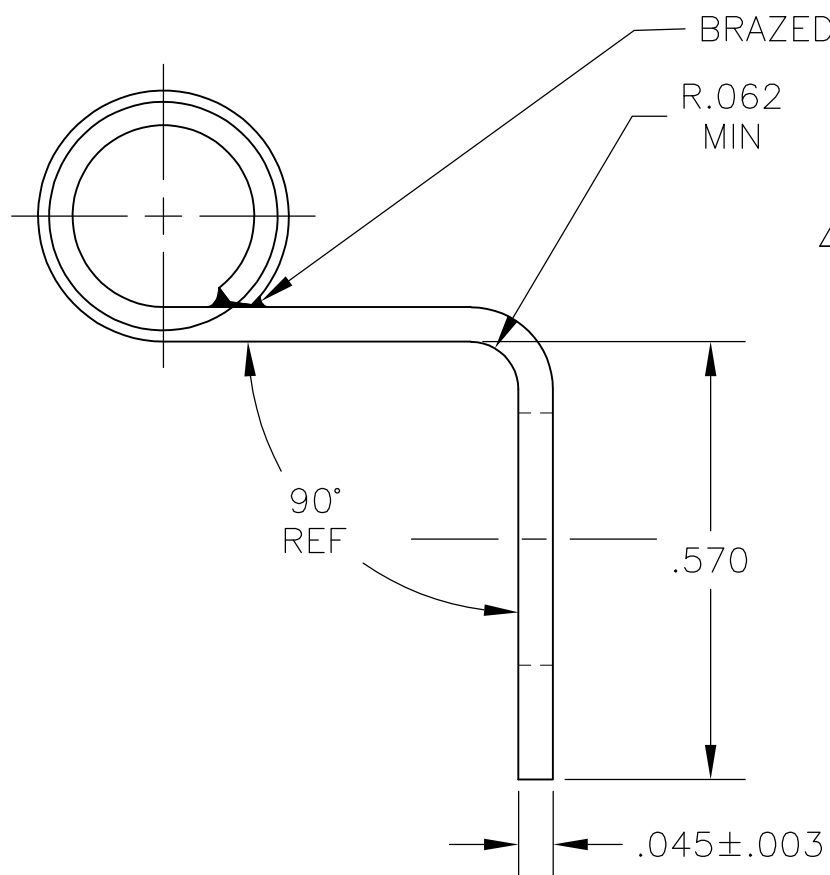
DIST
05

REVISIONS

P	LTR	DESCRIPTION	DATE	DWN	APVD
	A1	REVISED PER ECO-14-015181	09OCT2014	NK	DR



- 1 STAMP "AMP 6W* 23-30"
APPROX AS SHOWN
- 2 COPPER PER ASTM B-152
ANNEALED
- 3 .0000100 MIN THK TIN PLATE
PER ASTM B-545
- 4 NOTE DELETED



696787-1
PART NUMBER

THIS DRAWING IS A CONTROLLED DOCUMENT.		DWN JR RUTH 26MAY05	STE TE Connectivity														
DIMENSIONS: INCHES		CHK MJ SPICER 26MAY05															
TOLERANCES UNLESS OTHERWISE SPECIFIED:		APVD MJ SPICER 26MAY05	NAME TERMINAL, RING TONGUE, FLAG, SOLISTRAND, BENT 90, WIRE SIZE: 6 AWG														
<table border="0"> <tr><td>0 PLC</td><td>± -</td></tr> <tr><td>1 PLC</td><td>± -</td></tr> <tr><td>2 PLC</td><td>± -</td></tr> <tr><td>3 PLC</td><td>± .008</td></tr> <tr><td>4 PLC</td><td>± -</td></tr> <tr><td>ANGLES</td><td>± -</td></tr> </table>		0 PLC	± -	1 PLC	± -	2 PLC	± -	3 PLC	± .008	4 PLC	± -	ANGLES	± -	PRODUCT SPEC -	APPLICATION SPEC -		
0 PLC	± -																
1 PLC	± -																
2 PLC	± -																
3 PLC	± .008																
4 PLC	± -																
ANGLES	± -																
MATERIAL	FINISH	WEIGHT -	SIZE A3	CAGE CODE 00779	DRAWING NO C-696787	RESTRICTED TO -											
CUSTOMER DRAWING		SCALE 4:1		SHEET 1 OF 1		REV A1											