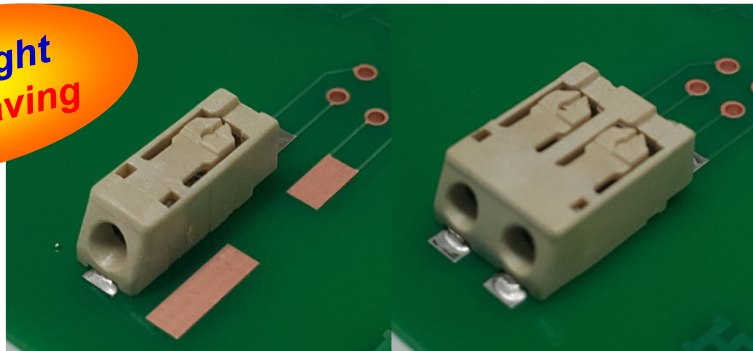


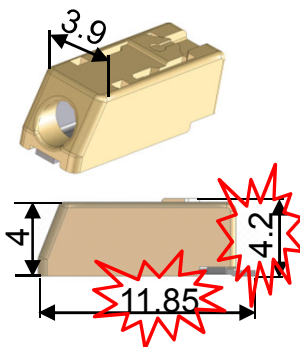
**Low height
Space saving**



◆ Features

1. Small sized connector with high current (9A) applicable
2. Compatible to competitor's PCB layout
3. Superior contact reliability by 2-point contact design
4. Easy insertion by guide structure
5. Easy Cable extraction by lever design
6. RoHS & halogen free compliance

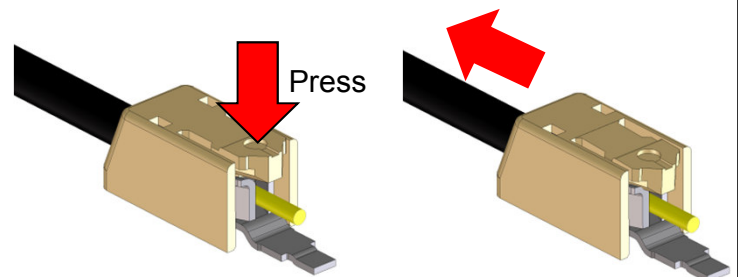
◆ Dimensions



- Rated current : 9A
- Cable : AWG#18~24
- Height : 4.2mm
- Length : 11.85mm

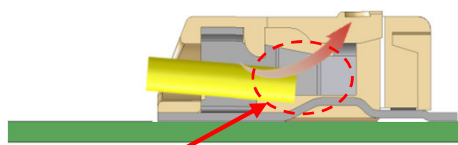
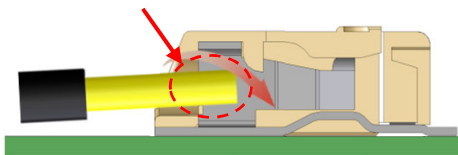
◆ Easy cable extraction

- (1) Press lever (2) Then pull out wire



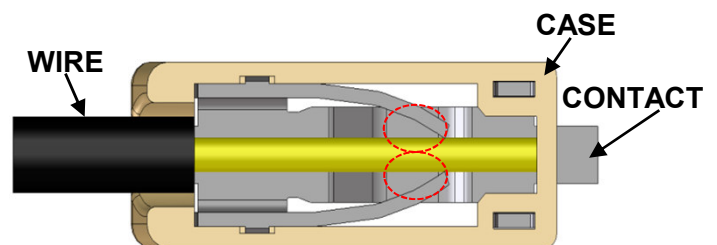
◆ Easy insertion

Guide structure at inner mold



Guide structure at terminal
Guide structure for easier cable connection

◆ Superior contact reliability



Superior contact reliability by 2-point contact design

*Specifications herein are subject to change without notice. Contact Hirose for latest specifications, drawings or availabilities.