
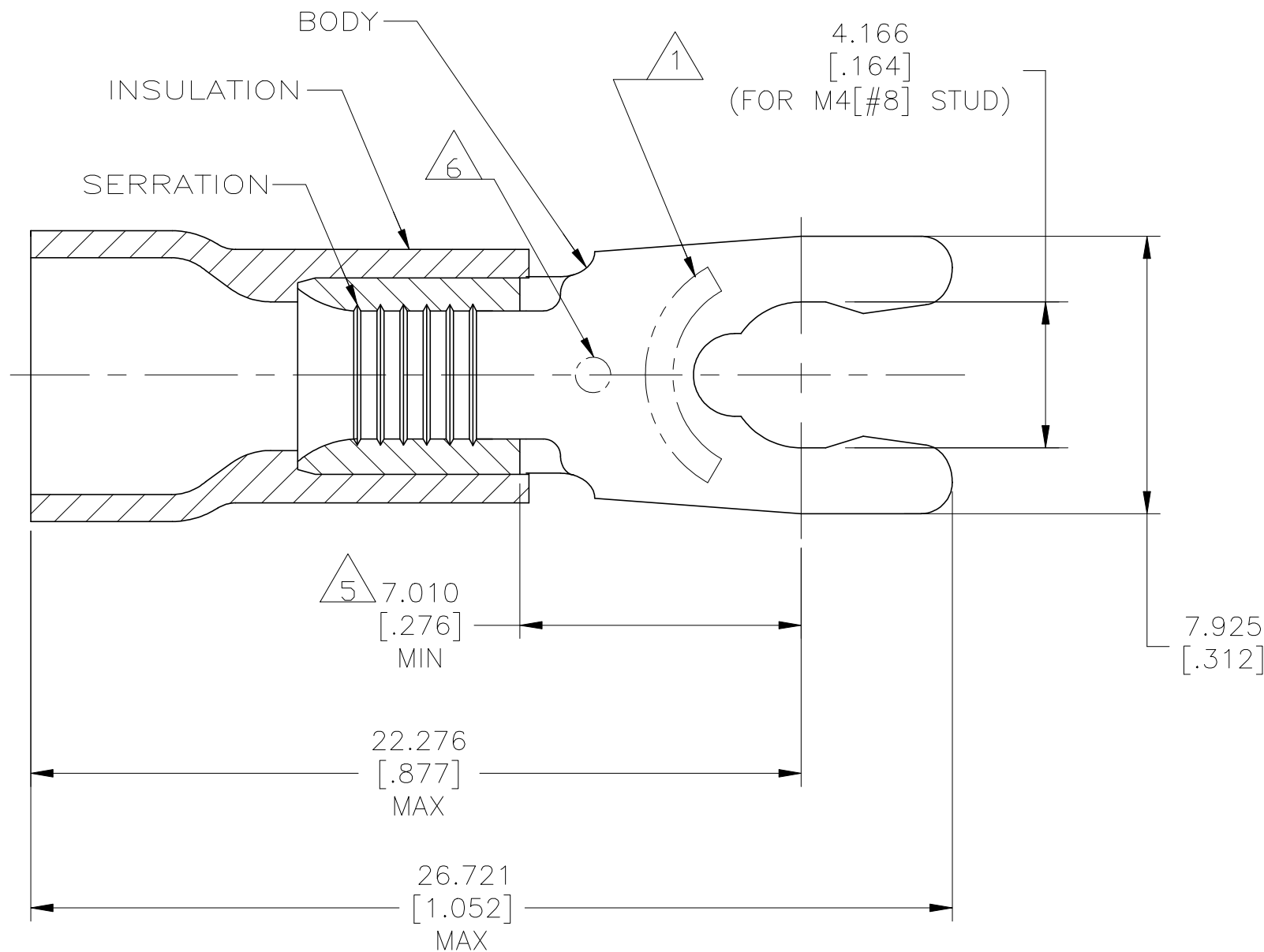



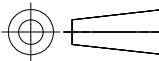
P	LTR	DESCRIPTION	DATE	DWN	APVD
	K	REVISED PER ECR-23-163311	09MAR2023	BB	DSC

<b>AMP</b> WIRE RANGE	 Listed FILE E13288
12-10 AWG SOLID OR STRANDED	12 AWG STRANDED



- 1 STAMP 8S AMP 12-10\* APPROX AS SHOWN
- 2. WIRE INSULATION DIAMETER:  
ø3.810[.150] TO ø6.350[.250]
- 3. BODY MATERIAL THK: 1.016±0.051[.040±.002]
- 4 MATERIAL: BODY - BRASS PER ASTM B36  
INSULATION - PVC.
- 5 APPLIES FROM EDGE OF METAL WIRE BARREL TO  
CENTER OF STUD HOLE
- 6 DIMPLE STAMP MARK OPTIONAL
- 7 FINISH:  
BODY - TIN PLATE 0.00254[.000100]  
MIN EXT THK PER ASTM B545  
INSULATION COLOR - YELLOW

2500	ON TAPE, REEL	53247-2
500	LOOSE PIECE	53247-1
QTY	PACKAGE TYPE	PART NO

<b>AMP INCORPORATED</b> <b>CUSTOMER SERVICE SYSTEMS</b>		MAX RECOMMENDED OPERATING TEMPERATURE: 105°C [221°F]	THIS DRAWING IS A CONTROLLED DOCUMENT.		DWN	26JUN95	 TE Connectivity					
			DIMENSIONS: mm [INCHES]	TOLERANCES UNLESS OTHERWISE SPECIFIED:	CHK	26JUN95						
FOR ADDITIONAL PRODUCT INFORMATION OR COPIES OF DRAWINGS AND TECHNICAL DOCUMENTS	PRODUCT INFORMATION CENTER 1-800-522-6752	VOLTAGE RATING: 600V MAX (1000V FIXTURE OR SIGN)		0 PLC ± - 1 PLC ± - 2 PLC ± - 3 PLC ± 0.127[.005] 4 PLC ± - ANGLES ± -	APVD	26JUN95	NAME TERMINAL, SPRING SPADE, SHORT, PLASTI-GRIP WIRE SIZE: 12-10 AWG					
FOR APPLICATION TOOLING INFORMATION	TOOLING ASSISTANCE CENTER 1-800-722-1111	CIRCULAR MIL AREA: 2.62-6.64mm² [5,180-13,100] SOLID OR STRANDED			MATERIAL	FINISH				PRODUCT SPEC		SIZE
FOR ORDER ENTRY	1-800-526-5142	THIS DRAWING IS A CONTROLLED DOCUMENT FOR AMP INCORPORATED. IT IS SUBJECT TO CHANGE AND THE CONTROLLING ENGINEERING ORGANIZATION SHOULD BE CONTACTED FOR THE LATEST REVISION.	4	7	APPLICATION SPEC		A3	00779	G-53247			
						114-2161	WEIGHT					
					CUSTOMER DRAWING		SCALE	6:1	SHEET	1 OF 1	REV	K