

THIS DRAWING IS UNPUBLISHED. RELEASED FOR PUBLICATION

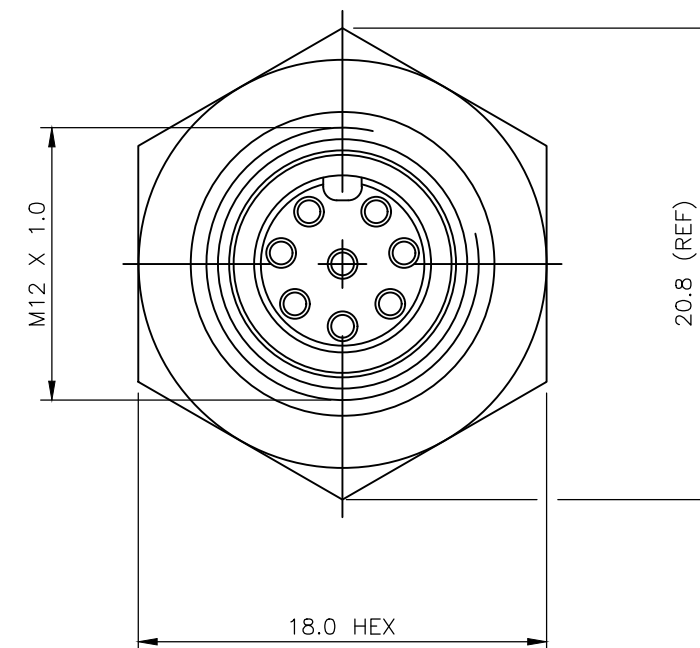
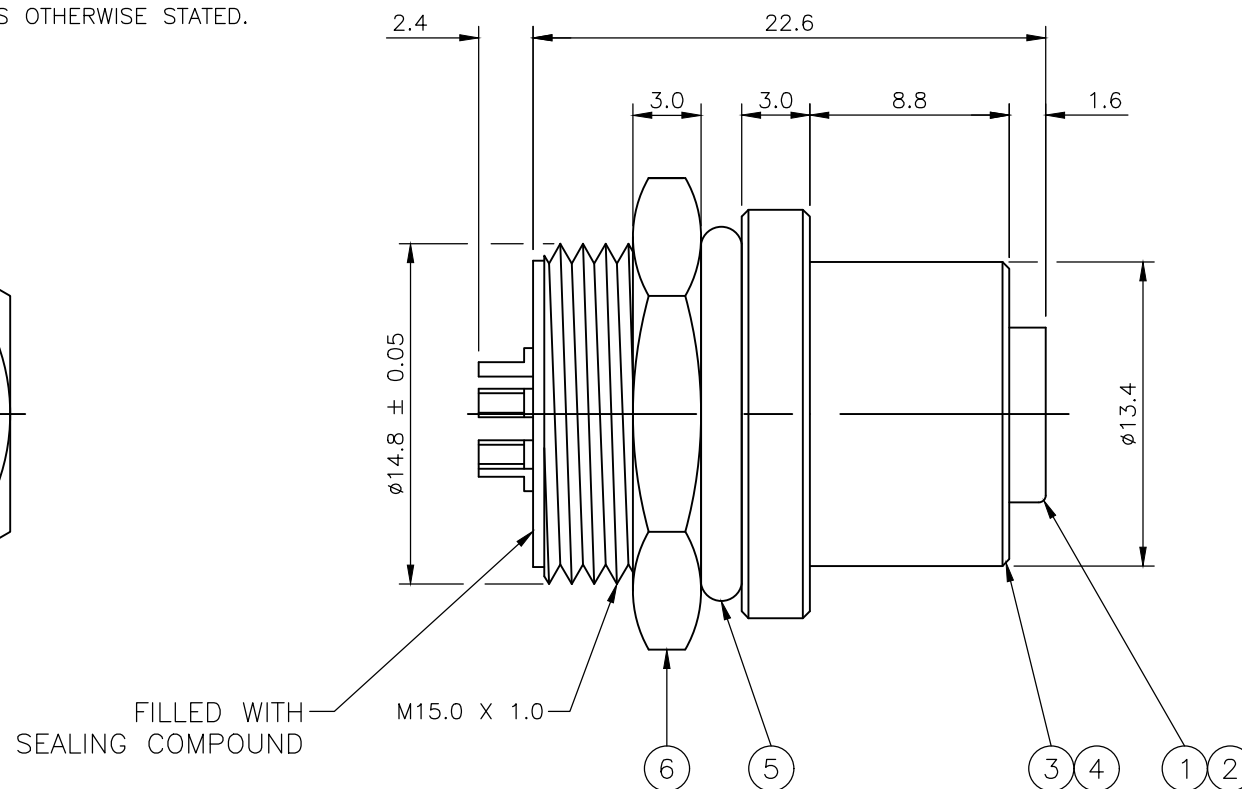
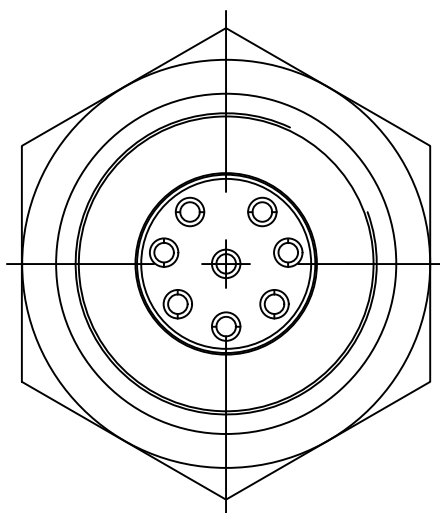
© COPYRIGHT - SOLDER STRAIGHT REAR(CIRCULAR) MOUNTING ALL RIGHTS RESERVED.

LOC	DIST	REVISIONS			
P	LTR	DESCRIPTION	DATE	DWN	APVD
E	B	A1	REVISED PER ECO-11-005150	21MAR11	RK HMR
		B	ECR-18-004497, Obsolete P/N	05APR18	TF CW

NOTES:

- ELECTRICAL DATA: CONTACT RESISTANCE: 10 mOhm MAX
INSULATION RESISTANCE: 100 MOhm MIN at 500VDC
CURRENT RATING: 5 AMPS (FOR 3, 4 AND 5 POSITIONS) AND 2 AMPS (FOR 8 POSITION ONLY)
BREAKDOWN VOLTAGE: 500 VAC MIN PER MINUTE
- ENVIRONMENTAL: OPERATING TEMPERATURE: -25°C TO +90°C
SEALING REQUIREMENTS: IP67
- PROD SPEC: 108-3641
- PACKAGING: 107-3334
- FOR TECHNICAL DATA REFER TO YOUR LOCAL TE CONNECTIVITY SALES OFFICE.
- ALL DIMENSIONS ARE NOMINAL FOR REFERENCE ONLY UNLESS OTHERWISE STATED.

ITEM	DESCRIPTION	MATERIAL	FINISH/COLOUR	QUANTITY / ITEM			
				-1	-2	-3	-4
1	CONNECTOR HOUSING	GF NYLON	BLACK	1	1	1	1
2	SOCKET CONTACT	BRASS	0.15µm GOLD OVER NICKEL	3	4	5	8
3	CONNECTOR BODY	BRASS	NICKEL PLATED	1	1	1	1
4	'O' RING	VITON	GREEN	1	1	1	1
5	'O' RING	EPDM	BLACK	1	1	1	1
6	SCREW NUT	BRASS	2.5µm NICKEL PLATED	1	1	1	1



FILLED WITH SEALING COMPOUND

	M12 METAL FEMALE PANEL MOUNT CONNECTOR, SOLDER, STRAIGHT, REAR (CIRCULAR) MOUNTING	8	1838415-4
Obsolete	M12 METAL FEMALE PANEL MOUNT CONNECTOR, SOLDER, STRAIGHT, REAR (CIRCULAR) MOUNTING	5	1838415-3
Obsolete	M12 METAL FEMALE PANEL MOUNT CONNECTOR, SOLDER, STRAIGHT, REAR (CIRCULAR) MOUNTING	4	1838415-2
Obsolete	M12 METAL FEMALE PANEL MOUNT CONNECTOR, SOLDER, STRAIGHT, REAR (CIRCULAR) MOUNTING	3	1838415-1
	DESCRIPTION	NO. OF POS	PART NUMBER

THIS DRAWING IS A CONTROLLED DOCUMENT.		DWN	A. Morey	09MAR06	STE TE Connectivity		
DIMENSIONS: mm		CHK	F. Wheeler-King	12APR06			
TOLERANCES UNLESS OTHERWISE SPECIFIED:		APVD	F. Wheeler-King	12APR06	NAME		
0 PLC ± -		PRODUCT SPEC		M12 METAL FEMALE PANEL MOUNT CONNECTOR, SOLDER, STRAIGHT, REAR(CIRCULAR) MOUNTING			
1 PLC ± -		APPLICATION SPEC		SIZE			
2 PLC ± -		WEIGHT		A3		CAGE CODE	00779
3 PLC ± -		CUSTOMER DRAWING		DRAWING NO		G-1838415	
4 PLC ± -		SCALE		NTS		SHEET	
ANGLES ± -		RESTRICTED TO		1 OF 2		REV	
FINISH		CUSTOMER DRAWING		SCALE		NTS	
MATERIAL		SHEET		1 OF 2		REV	
		SCALE		NTS		REV	
		SHEET		1 OF 2		REV	
		RESTRICTED TO				B	

