

PART NAME: KNOB SCALE: 1:1 DATE: 9/21/09 DR. BY JAM

THIS DRAWING IS THE PROPERTY OF DAVIES MOLDING COMPANY, IS SUBMITTED SOLELY AS A DESIGN OR ENGINEERING PROJECT. WE ACCEPT NO RESPONSIBILITY WHATSOEVER FOR THE PRACTICAL APPLICATION OF THE PIECES MADE TO THIS DESIGN.

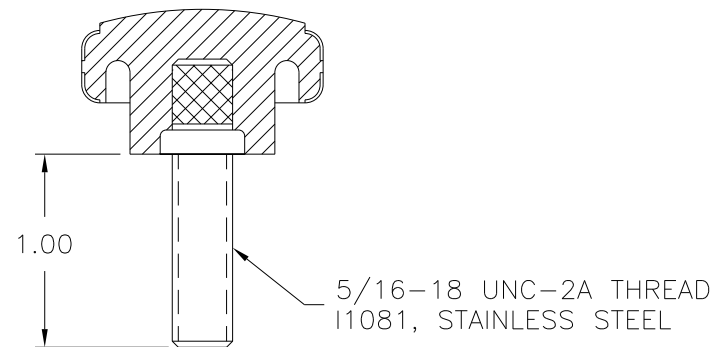
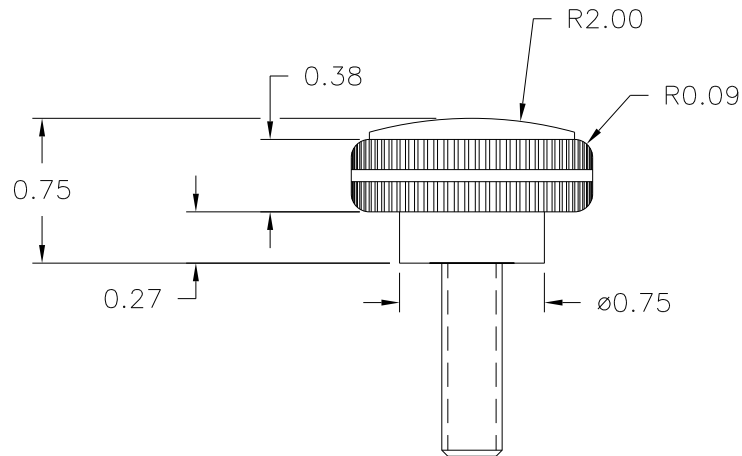
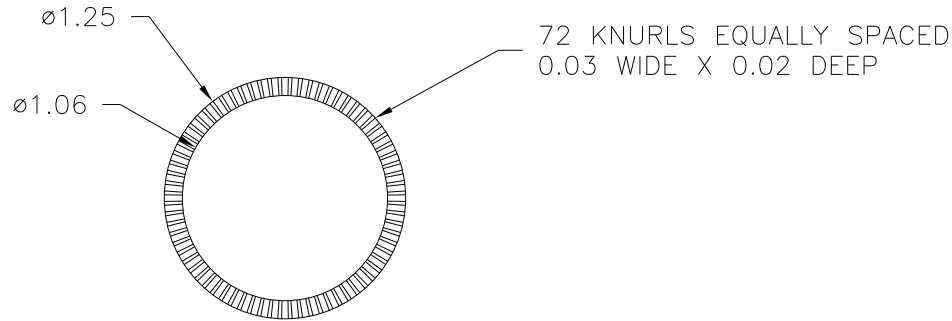


DESIGNERS & MANUFACTURERS OF KNOBS, HANDLES, CASES & CUSTOM PLASTIC COMPONENTS

P/N 3055PH

M_{NO.} 3009

CAVITY	3055
PLUNGER	3055
PIN	3000-E
PIN BAR	3055
PIN BAR	3055
SHIMS (3)	(TOTAL .185)
INSERT	I1081
PLUNGER KEY	1/4x1/8x1-1/4
CAVITY KEY	1/4x1/4x3/4



MATERIAL: G.P. PHENOLIC (B11)
COLOR: BLACK

TOLERANCES: UNLESS OTHERWISE SPECIFIED	DO NOT SCALE DRAWING				
DECIMALS: X.XXX ± .005 X.XX ± .015	MM: X.XX ± 0.15MM X.X ± 0.4MM				
FRACTIONS ± 1/64	ANG. ± 1°	CHANGES			