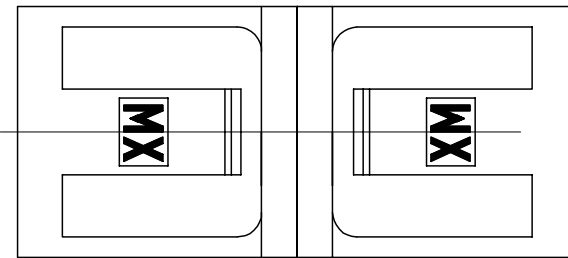
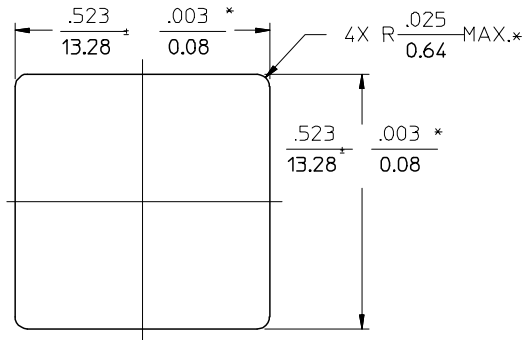
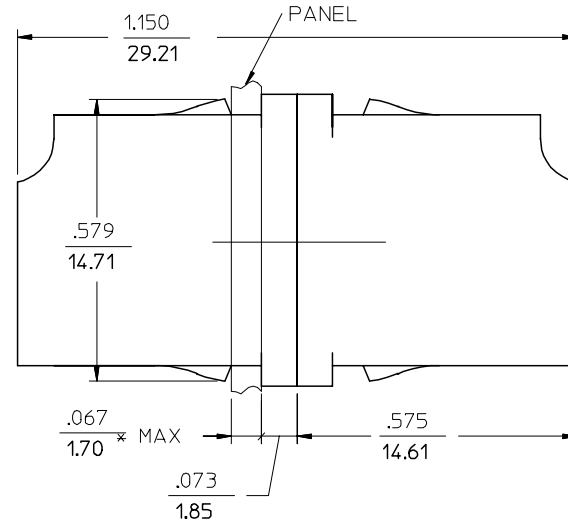
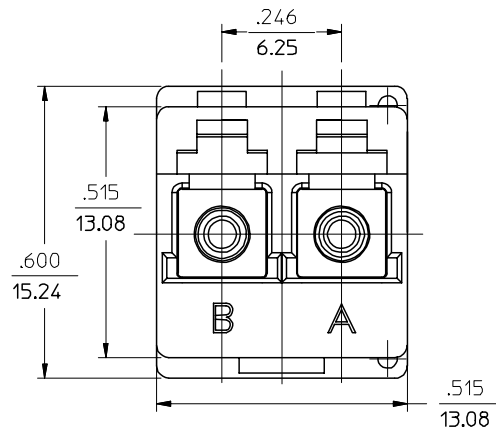


ADAPTER P/N	COLOR	SPLIT SLEEVE MATERIAL
86125-1100	BLUE	ZIRCONIA - ZrO ₂
86125-0110	BEIGE	Ph. Bronze
86125-0111*		
86125-1150	GREEN	ZIRCONIA - ZrO ₂
86125-0100	BLUE	Ph. Bronze
86125-1110	BEIGE	ZIRCONIA - ZrO ₂
86125-0120	AQUA	Ph. Bronze
86125-1170	BLACK	ZIRCONIA - ZrO ₂



(DUST CAPS ARE NOT SHOWN)

RECOMMENDED PANEL CUTOUT
 PANEL THICKNESS $\frac{.067}{1.70}$ MAX.

NOTES:

- ALL DIMENSIONS ARE FOR REFERENCE ONLY, EXCEPT WHEN MARKED WITH (*).
- ALL DIMENSIONS ARE GIVEN IN $\frac{\text{INCHES}}{\text{mm}}$
- P/N 86125-0111 IS BULK PACKED IN QUANTITIES OF 100 pcs.

ENTER DESCRIPTION EC NO: MF2005-0763 IDRW:KPEVNER 2005/06/30 CHKD: 2005/06/30 APPR: LGUMIN 2005/06/30 G	QUALITY SYMBOLS 	GENERAL TOLERANCES (UNLESS SPECIFIED)		DIMENSION STYLE	SCALE	DESIGN UNITS	THIRD ANGLE PROJECTION	
		mm	INCH	IN/MM	4:1	INCH		
		4 PLACES	± ---	± ---	DRAWN BY	DATE	TITLE	MOLEX INCORPORATED
		3 PLACES	± ---	± ---	CHECKED BY	DATE	LC DUPLEX ADAPTER	
2 PLACES	± ---	± ---	APPROVED BY	DATE	MATERIAL NO.	DOCUMENT NO.	SHEET NO.	
1 PLACE	± ---	± ---	ANGULAR ±1/2°		SEE TABLE	86125-X1X0CD	1 OF 1	
DRAFT WHERE APPLICABLE MUST REMAIN WITHIN DIMENSIONS				THIS DRAWING CONTAINS INFORMATION THAT IS PROPRIETARY TO MOLEX INCORPORATED AND SHOULD NOT BE USED WITHOUT WRITTEN PERMISSION				