

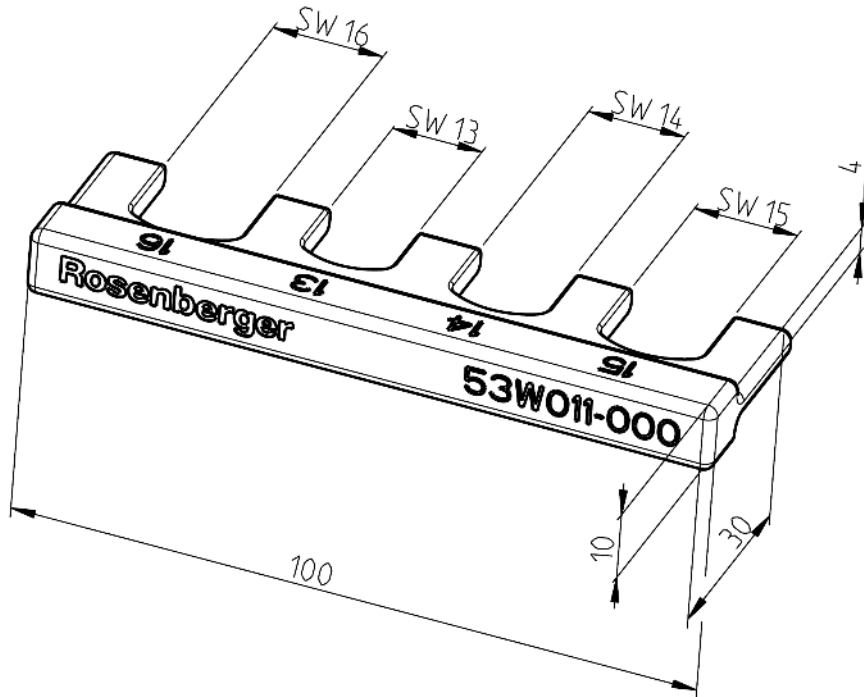
Technical Data Sheet

**Rosenberger**

RPC-N 50Ω  
RPC-N 75Ω

combi wrench

**53W011-000**



All dimensions are in mm; tolerances according to ISO 2768 m-H

**Material and plating**

**Connector parts**  
Body

**Material**  
Brass

Chemical nickel, 4 μm

**Mechanical data**

Width across flats

13 mm, 14 mm, 15 mm, 16 mm

**Packing**

Standard  
Weight

1 pce in box  
122 g/pce

While the information has been carefully compiled to the best of our knowledge, nothing is intended as representation or warranty on our part and no statement herein shall be construed as recommendation to infringe existing patents. In the effort to improve our products, we reserve the right to make changes judged to be necessary.

Draft	Date	Approved	Date	Rev.	Engineering change number	Name	Date
O. Krautenbacher	14.04.14	Martin Moder	30.09.19	c00	19-1857	M.Ruf	30.09.19

Rosenberger Hochfrequenztechnik GmbH & Co. KG  
P.O.Box 1260 D-84526 Tittmoning Germany  
[www.rosenberger.de](http://www.rosenberger.de)

Tel. : +49 8684 18-0  
Email : [info@rosenberger.de](mailto:info@rosenberger.de)

Page

1 / 1