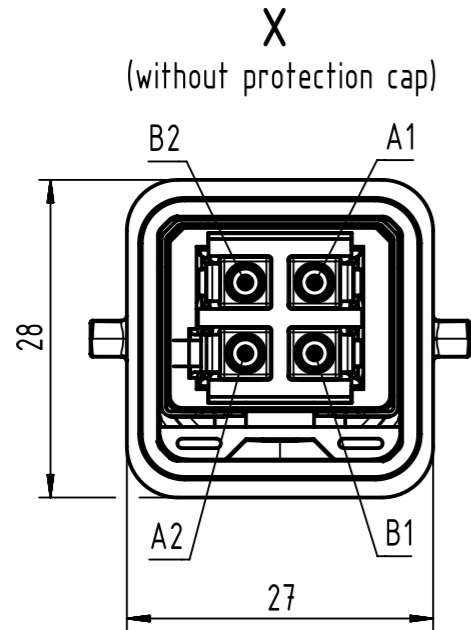


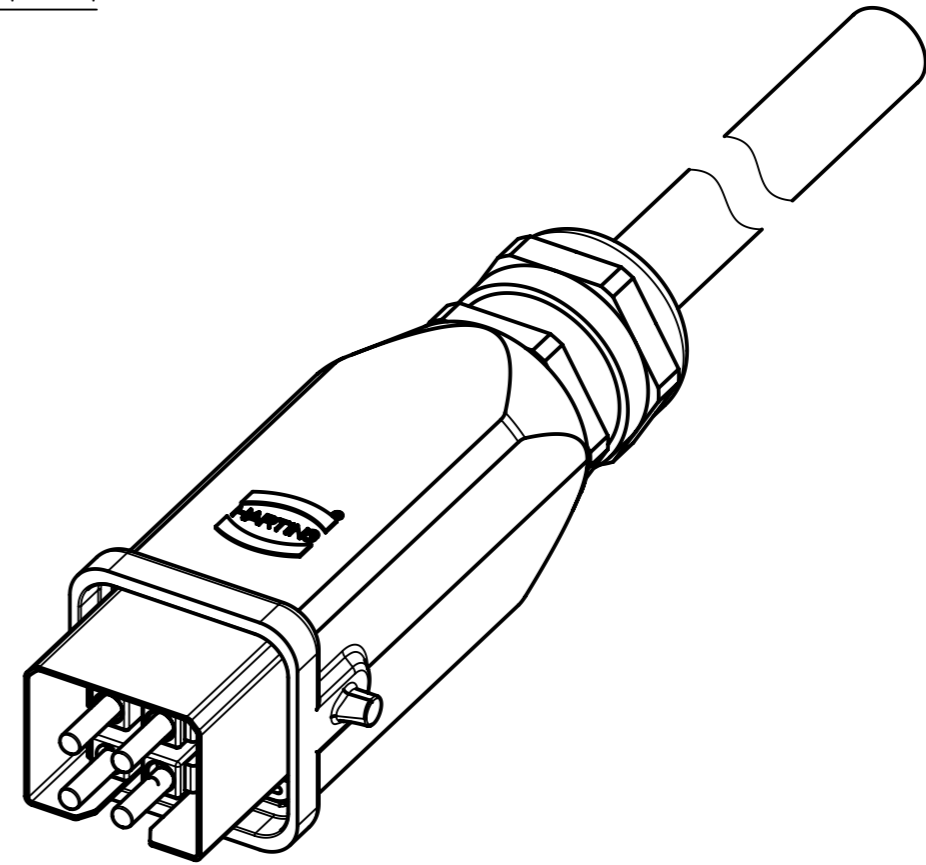
Protection cap
Mating face acc. to IEC 61754-20

Han 3A 2xLC Duplex (metal)



Loading-Plan

- A1 grey 1 (interior turquoise)
- B1 grey 2 (interior white)
- A2 grey 3 (interior white)
- B2 grey 4 (interior white)



-Protection level: IP67/65
-Temperature range: -20°C ... +60°C

9	33541113000002	F.O. breakout cable multi-mode, 4-chanel, 4G50/125, black	300
8	33541111000002		100
7	33541110600002		60
6	33541110500002		50
5	33541110400002		40
4	33541110200002		20
3	33541110100002		10
2	33541110050002		5
1	33541110010002		1
Cont. No.	Part - no.	Type of cable	Dim. a[m]

All rights reserved Department EC PD - RO		All Dimensions in mm Original Size DIN A3	Scale 1.5:1	Free size tol.	Ref. Sub.
Created by MUNTEANV	Inspected by AVRAM	Standardisation HOFFMANN	Date 2015-10-08	State Final Release	Doc-Key / ECM-Nr. 100178844/UGD/013/B 50000095278
Title Han 3A LC Cable Assembly					Rev. B
Type TB	Number 3354111XXX0002	Page 1/1			