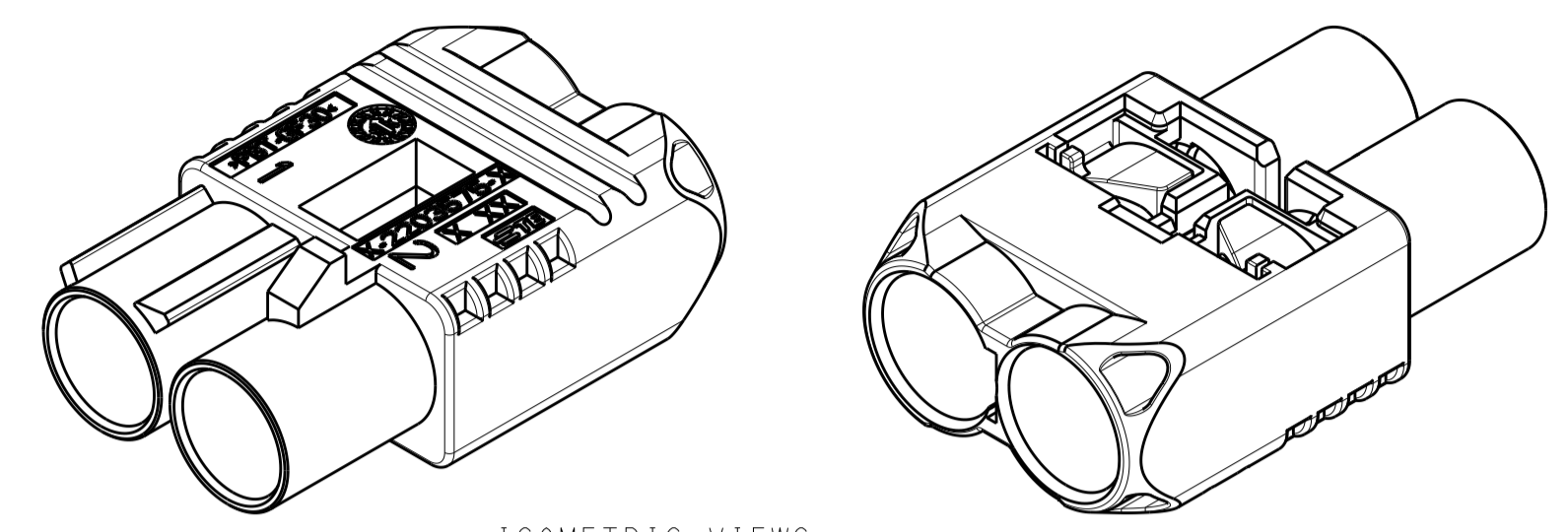
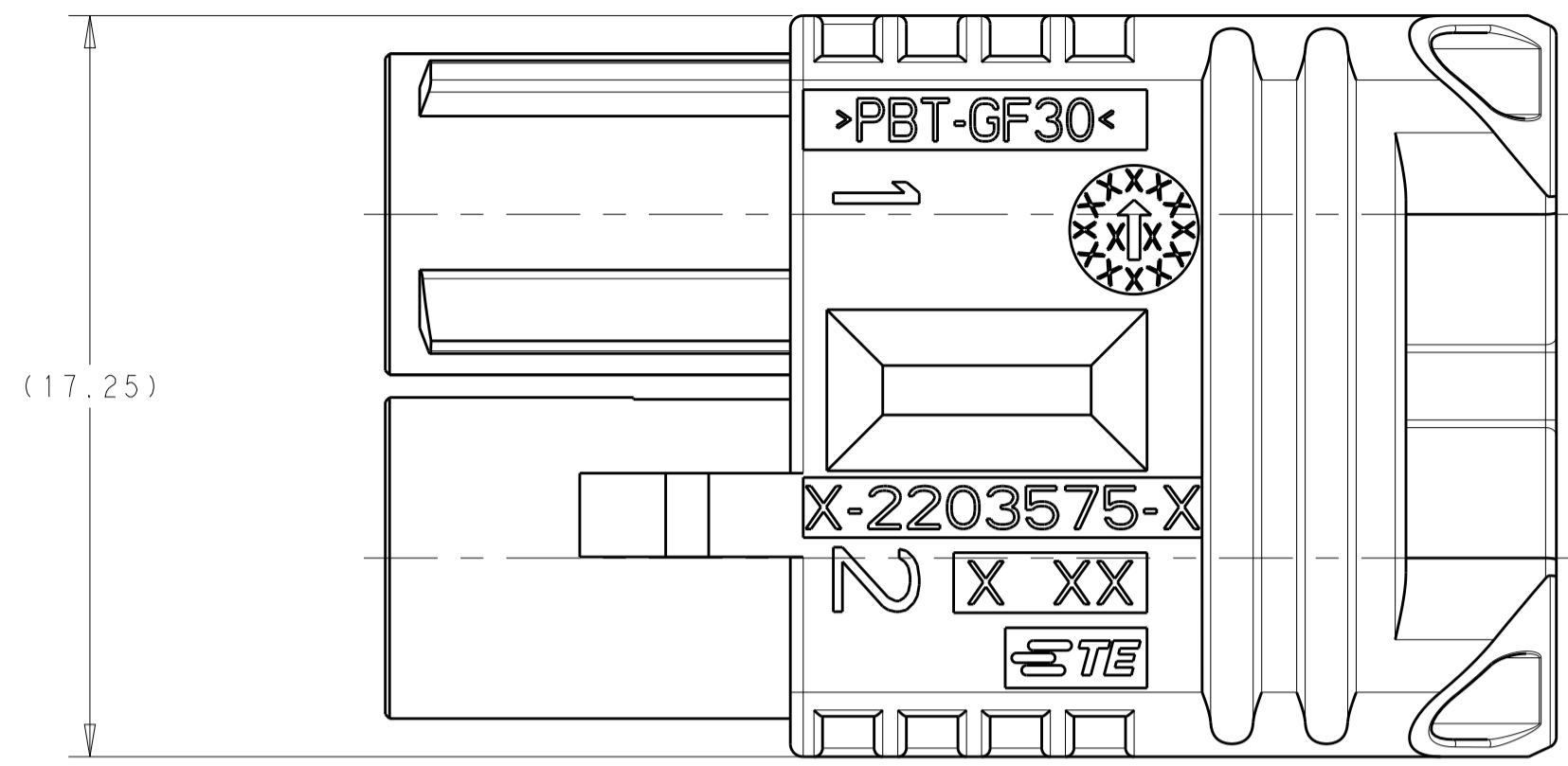
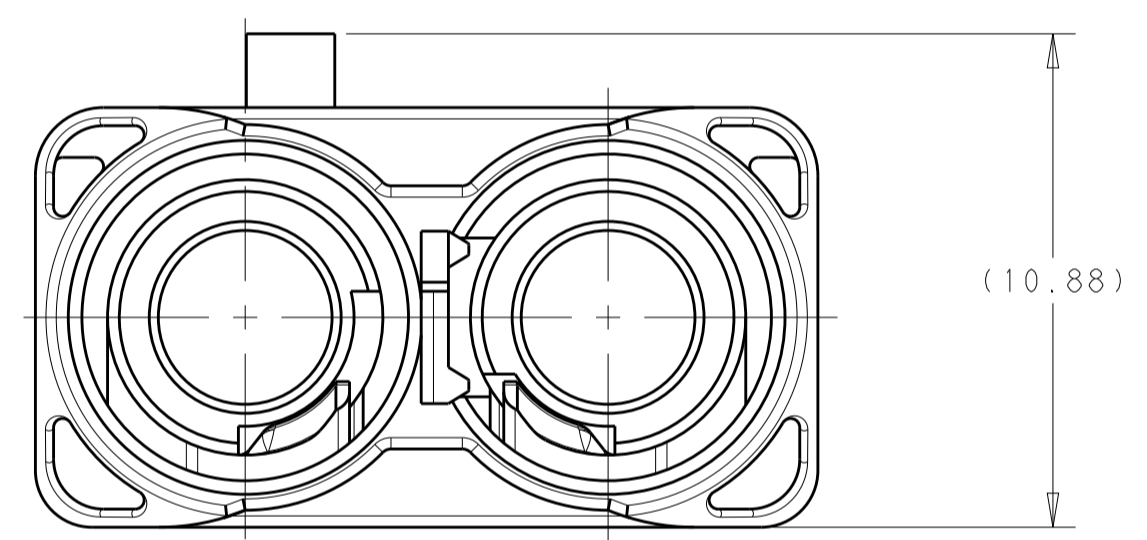
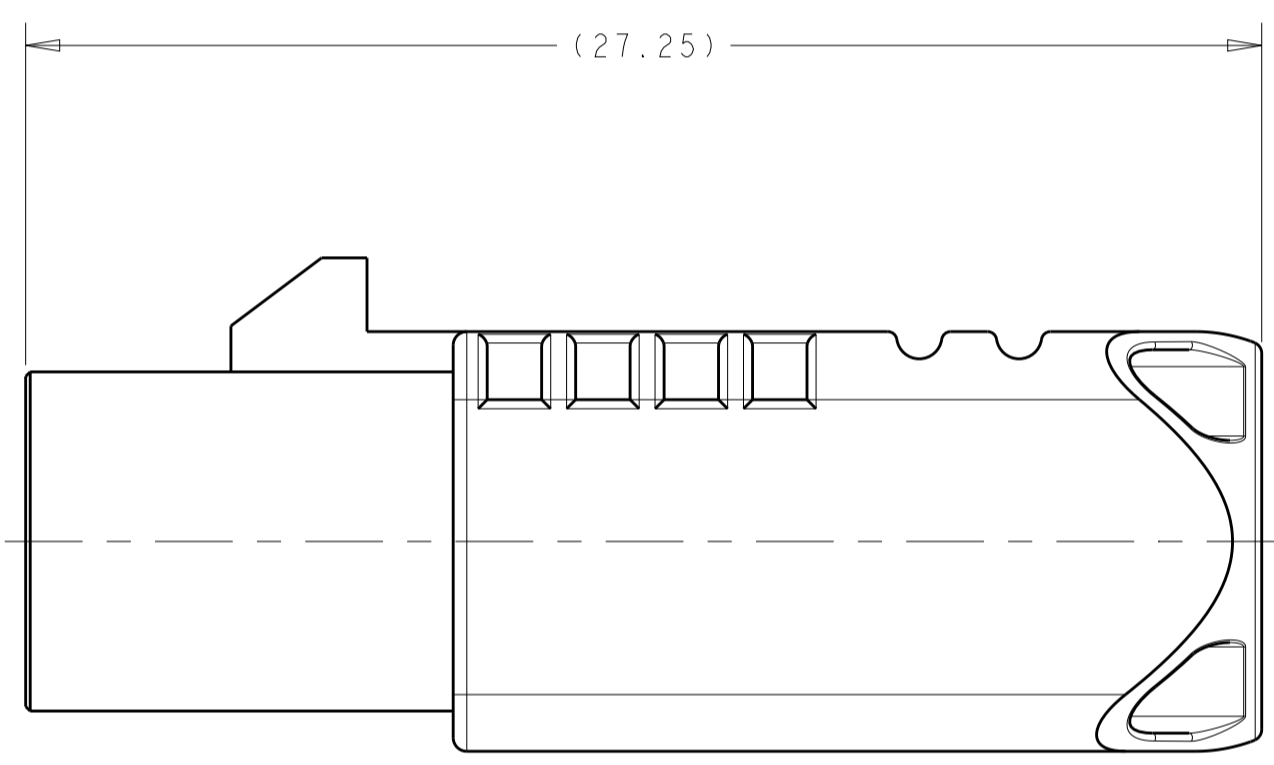
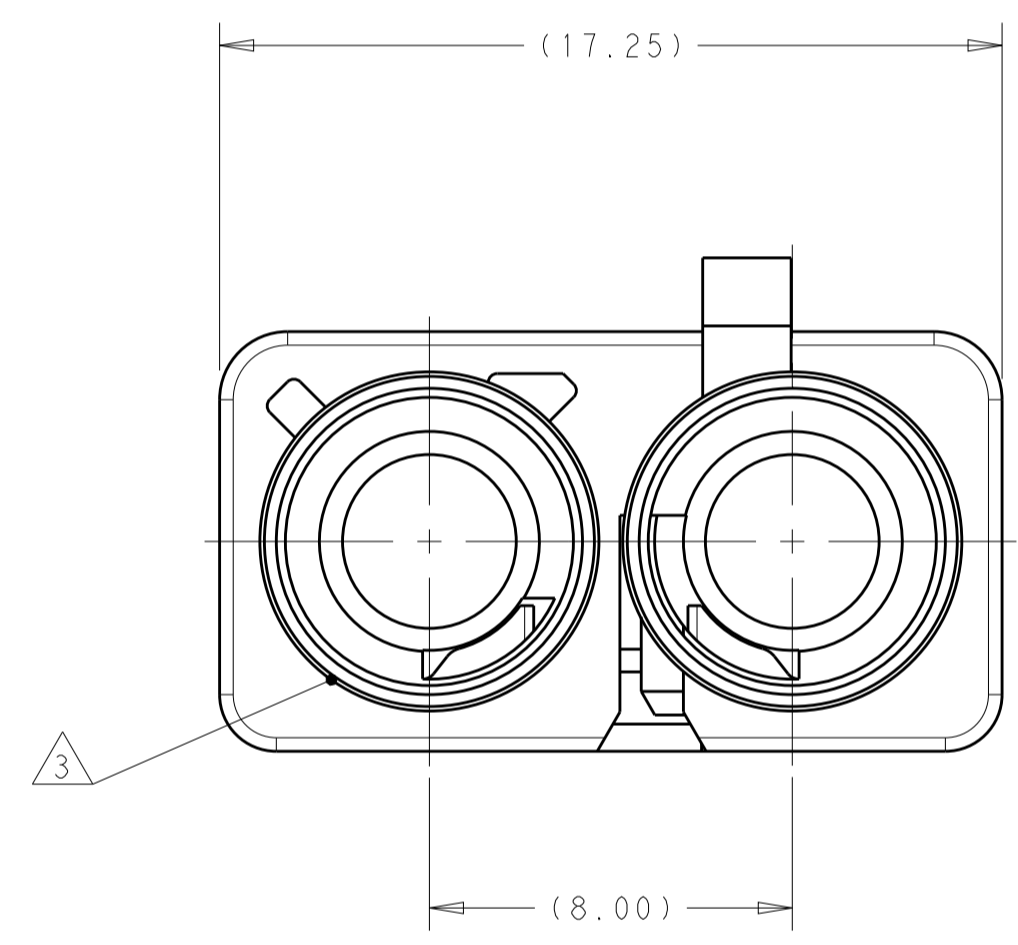


REVISIONS				
P.	LTN	DESCRIPTION	DATE	DWN APVD
1		INITIAL DRAWING.	26APR2017	JAB ERL



ISOMETRIC VIEWS  
SCALE 3:1



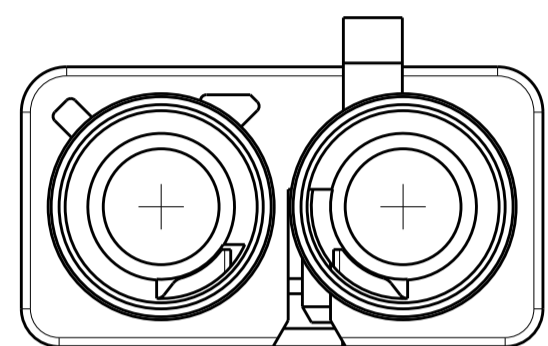
Z	PER DETAIL Z	WATER BLUE	2-2203575-0
N	PER DETAIL N	PASTEL GREEN	1-2203575-3
M	PER DETAIL M	PASTEL ORANGE	1-2203575-2
L	PER DETAIL L	CARMINE RED	1-2203575-1
K	PER DETAIL K	CURRY	1-2203575-0
I	PER DETAIL I	BEIGE	2203575-9
H	PER DETAIL H	HEATHER VIOLET	2203575-8
G	PER DETAIL G	BLUE GREY	2203575-7
F	PER DETAIL F	NUT BROWN	2203575-6
E	PER DETAIL E	LEAF GREEN	2203575-5
D	PER DETAIL D	CLARET VIOLET	2203575-4
C	PER DETAIL C	SIGNAL BLUE	2203575-3
B	PER DETAIL B	CREAM	2203575-2
A	PER DETAIL A	JET BLACK	2203575-1
KEY CODE	KEYING	CODING COLOR	PART NUMBER

- 1. 2203575-1 AS SHOWN.
- 2 MATERIAL, POLYESTER PBT, COLOR SEE TABLE.
- 3 MALE INTERFACE PER ISO-20860-1, ISO-20860-2, SAE/USCAR-17, SAE/USCAR-18.

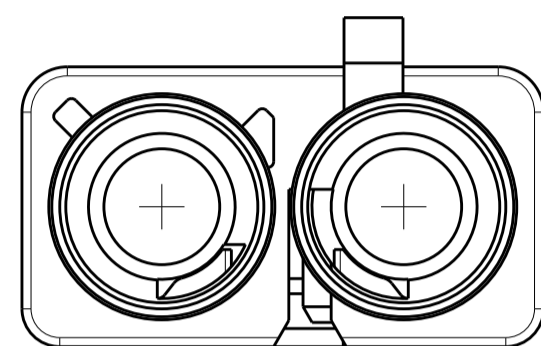
THIS DRAWING IS A CONTROLLED DOCUMENT.		DWN J.A.BAKER 26APR2017	TE Connectivity
DIMENSIONS: mm		CHK E.R.LOVE 18JUL2017	
TOLERANCES UNLESS OTHERWISE SPECIFIED:		APVD E.R.LOVE 18JUL2017	NAME MALE HOUSING, 2 POSITION, 8.0mm CENTERLINE, 180 DEGREE, FAKRA
0 PLC ±		PRODUCT SPEC 108-32137	
1 PLC ±		APPLICATION SPEC 114-32145	SIZE CAGE CODE DRAWING NO RESTRICTED TO A1 - C=2203575
2 PLC ±		WEIGHT	
3 PLC ±		CUSTOMER DRAWING	SCALE 6:1 SHEET 1 OF 2 REV A
4 PLC ±			
ANGLES ±1°			
FINISH			

THIS DRAWING IS UNPUBLISHED. RELEASED FOR PUBLICATION. COPYRIGHT copyright\_e81e- ALL RIGHTS RESERVED.

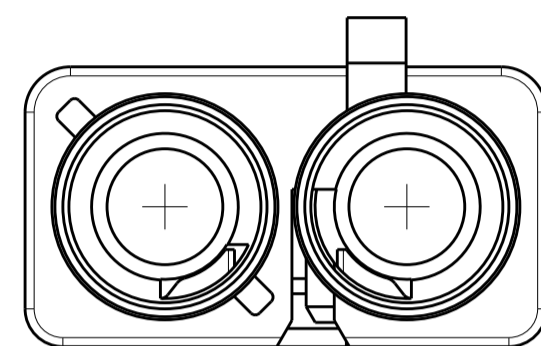
REVISIONS				
P.	LTN	DESCRIPTION	DATE	APVD
-	-	SEE SHEET 1	-	-



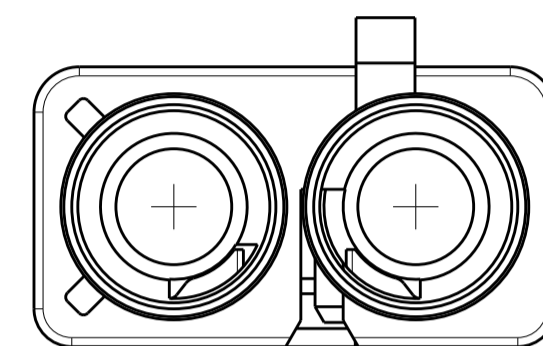
DETAIL A  
SCALE 4:1



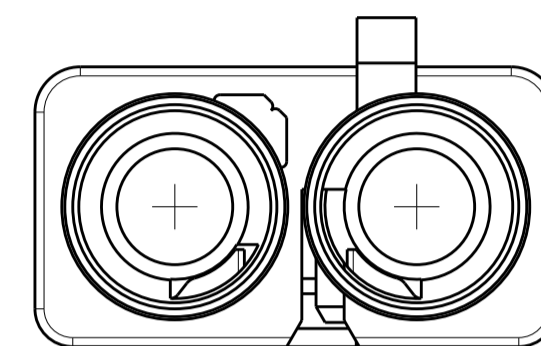
DETAIL B  
SCALE 4:1



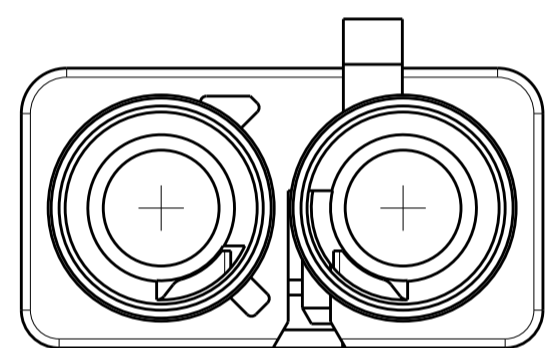
DETAIL C  
SCALE 4:1



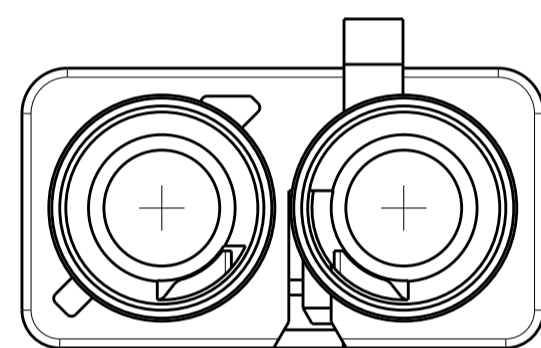
DETAIL D  
SCALE 4:1



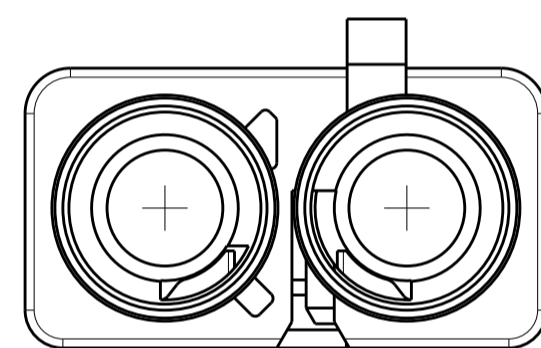
DETAIL E  
SCALE 4:1



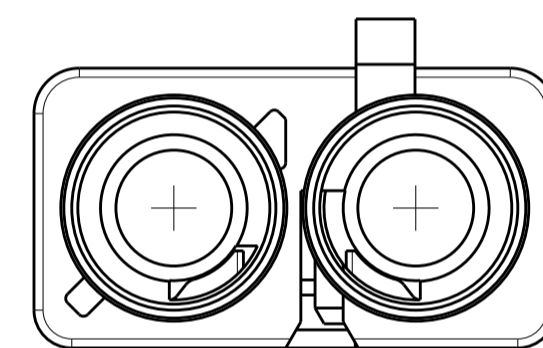
DETAIL F  
SCALE 4:1



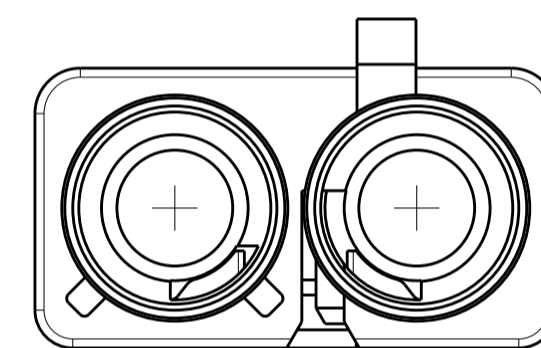
DETAIL G  
SCALE 4:1



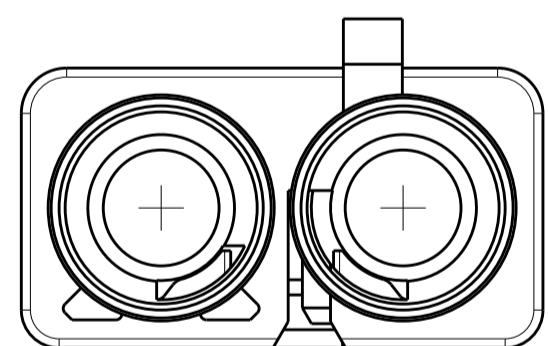
DETAIL H  
SCALE 4:1



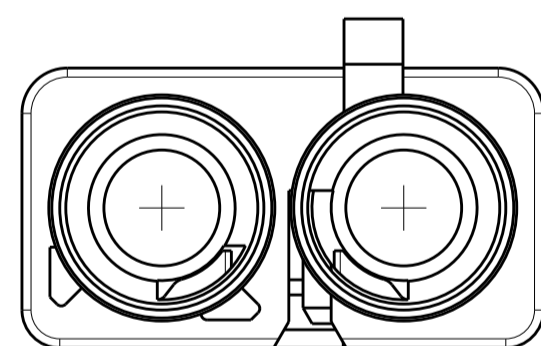
DETAIL I  
SCALE 4:1



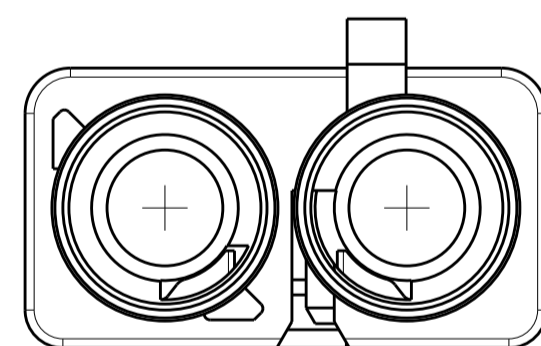
DETAIL K  
SCALE 4:1



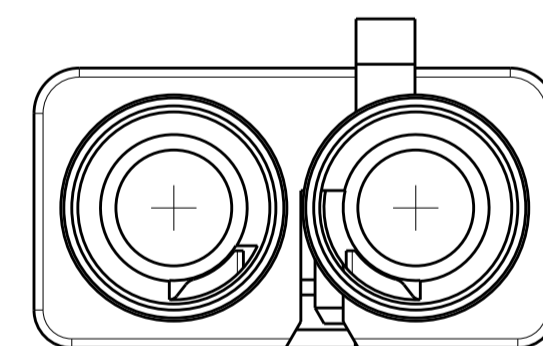
DETAIL L  
SCALE 4:1



DETAIL M  
SCALE 4:1



DETAIL N  
SCALE 4:1



DETAIL Z  
SCALE 4:1

THIS DRAWING IS A CONTROLLED DOCUMENT.		OWN: J.A. BAKER 26APR2017	
		CHK: E.R. LOVE 18JUL2017	
		APVD: E.R. LOVE 18JUL2017	NAME: MALE HOUSING, 2 POSITION, 8.0mm CENTERLINE, 180 DEGREE, FAKRA
		PRODUCT SPEC: 108-32137	
		APPLICATION SPEC: 114-32145	SIZE: A1 CAGE CODE: - DRAWING NO: C=2203575
		WEIGHT: -	
MATERIAL: -		CUSTOMER DRAWING	RESTRICTED TO: - SCALE: 5:1 SHEET 2 OF 2 REV A