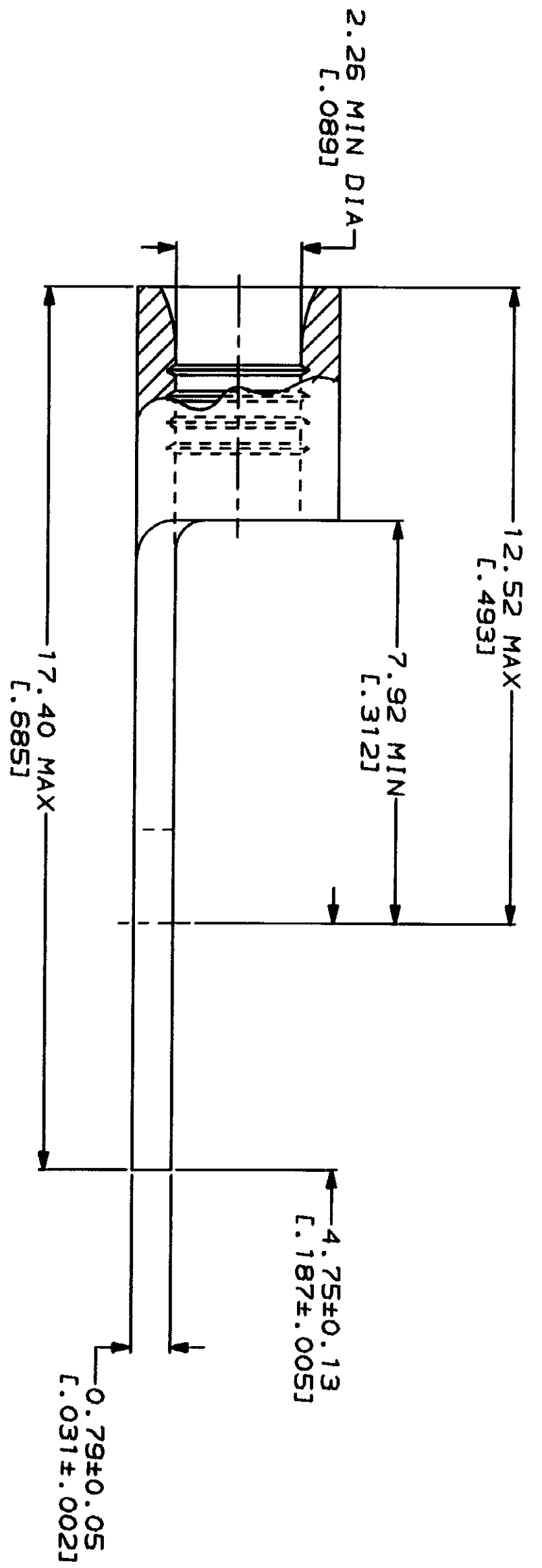
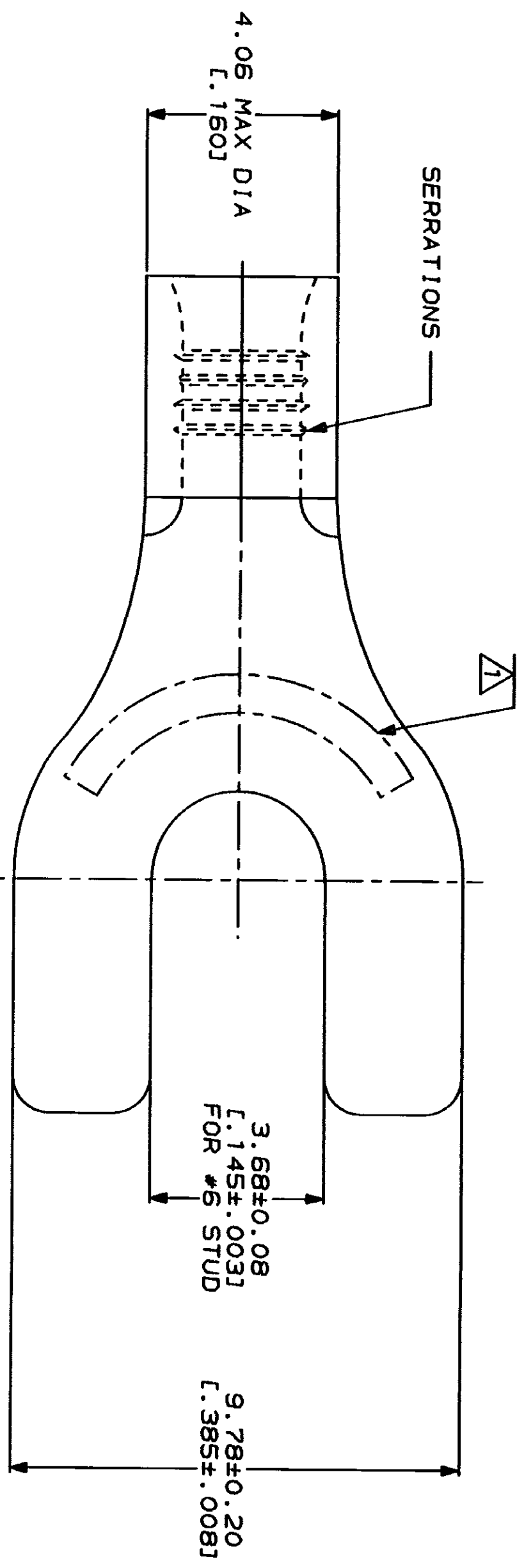


LOC	DIST	ZONE	LTR	REVISIONS	DATE	APPD
G	14	B	REVISED PER 0720-0230-93		2/28/94	DAL

METRIE
DIMENSIONS LISTED IN mm [INCHES]



AMP WIRE RANGE	IL E13288 Listed
16-14 AWG STRANDED	16-14 AWG STRANDED
AMP LR7189 Certified	MILITARY P/N AND CLASS
NOT CERTIFIED	NOT APPLICABLE

△ STAMP AMP 16-14* APPROX AS SHOWN

AMP INCORPORATED
CUSTOMER SERVICE SYSTEMS

FOR ADDITIONAL PRODUCT INFORMATION OR COPIES OF DRAWINGS AND TECHNICAL DOCUMENTS	PRODUCT INFORMATION CENTER 1-800-522-6752	VOLTAGE RATING: NOT APPLICABLE	MAX RECOMMENDED OPERATING TEMPERATURE: 170°C MAX
FOR APPLICATION TOOLING INFORMATION	TOOLING ASSISTANCE CENTER 1-800-722-1111	WIRE CROSS SECTIONAL AREA RANGE: 1.04-2.62mm ² [2,050-5,180] CIR MILS STRANDED	
FOR ORDER ENTRY	1-800-526-5142	THIS DRAWING IS A CONTROLLED DOCUMENT FOR AMP INCORPORATED. IT IS SUBJECT TO CHANGE WITHOUT NOTICE. FOR THE LATEST REVISION, SHOULD BE CONSULTED FOR THE LATEST REVISION.	

DO NOT SCALE PRINT. UNLESS SPECIFIED DIMENSIONS IN - FINISHES - TOLERANCES ON -	DR 2-17-93 TA BRINKMAN	AMP AMP Incorporated Harrisburg, PA 17105-3508
2 PLC DEC ±	CHK 2-17-93 DA PATTERSON	
3 PLC DEC ±	APPD 2-17-93 DE MILLER	
FINISH: TIN PLATE	APPD 2-17-93 JL HECKLEY	NAME: TERMINAL, SPADE TONGUE, BUDGET SIZE: 00779 CAGE CODE: 00779 DRAWING NO: G-31704 SCALE: 10:1 SHEET: 1 OF 1

31704
PART NO