

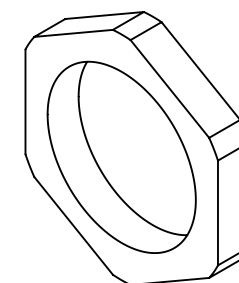
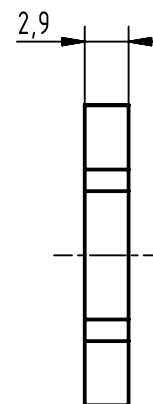
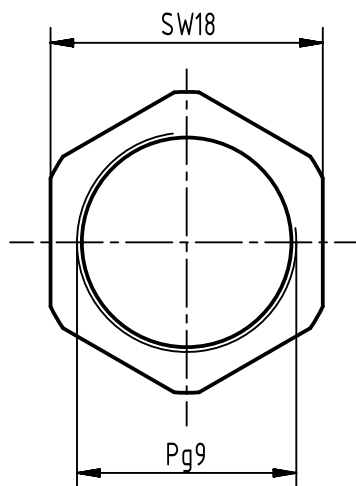
1 2 3 4 5 6

A

B

C

D



Oberfläche: Ni 1-3µm
 surface: Ni 1-3µm

	All Dimensions in mm Original Size DIN A4		Scale 2:1	Free size tol.		Ref.	
						Sub.	
	All rights reserved		Created by DYCKC	Inspected by SCHREIER	Standardisation HOFFMANN	Date 2013-05-21	State Final Release
	Department EC PD - DE		Title Lock Nut, Metal, PG9, SW 18			Doc-Key / ECM-Nr. 100092936/UGD/001/B 500000062275	
HARTING Electronics GmbH D-32339 Espelkamp			Type TB	Number 21010000008		Rev. B	Page 1/1