

PH0400NL

4

3

2

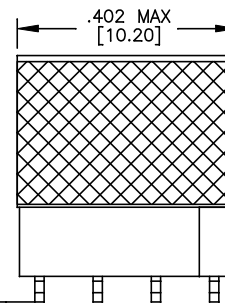
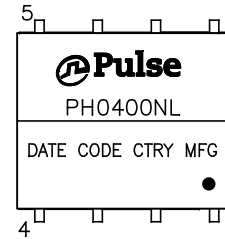
1

NOTICE: THE INFORMATION AND DESIGN CONTAINED HEREIN IS THE PROPERTY OF PULSE WHO RESERVES ALL RIGHTS THERETO.

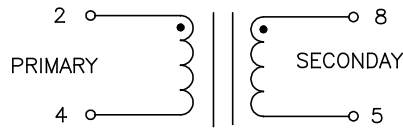
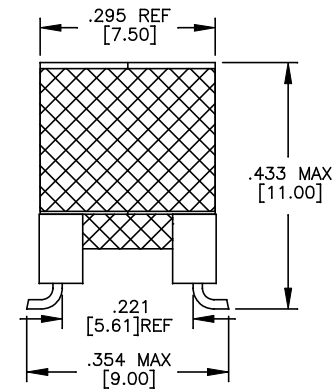
TEST NOTES:

UNLESS OTHERWISE SPECIFIED, TESTING IS PERFORMED AT 25 ±5°C.
TURNS RATIO LIMITS ARE SPECIFIED AS MEASURED WITH UNGAPPED CORES.

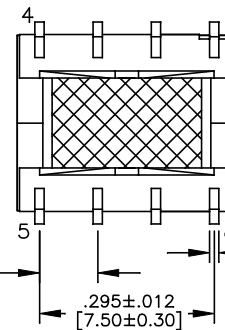
1. TURNS RATIO(100%): AT 100 KHz, 0.100 VRMS
(8-5) : (2-4) = 2.5 : 1 ±3%
2. INDUCTANCE(100%): AT 100 KHz, 0.100 VRMS
(2-4) = 2.5 uH ± 10%
(2-4) = 1.75 uH MIN AT 8.5 ADC
3. LEAKAGE INDUCTANCE(100%): AT 100 KHz, 0.100 VRMS
(2-4) WITH (8,5) SHORTED = 150 nH MAX
4. DCR(100%):
(2-4) = 40 mOHM MAX
(8-5) = 90 mOHM MAX
5. HIPOT(100%):
(2,4) TO (8,5) = 500 VAC FOR 1 MIN
6. ALL PIN LENGTH DON'T INCLUDE TIN ICICLE.



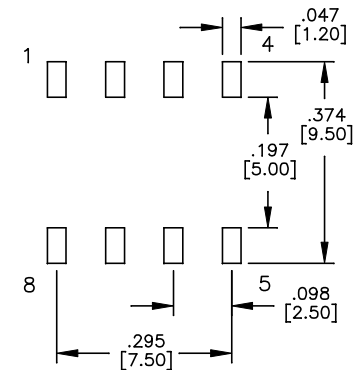
.004 0.10



SCHEMATIC



FINAL OUTLINE



SUGGESTED LAND PATTERN

UNLESS OTHERWISE SPECIFIED, ALL DIMENSIONS ARE IN INCHES TOLERANCES ARE:

DECIMALS	ANGLES
.XX ±.01	± 1°
.XXX ±.005	
DO NOT SCALE DRAWING	

SIZE	CAGE CODE	DWG. NO.	REV
B01961		PH0400NL	10
SCALE	CADD FILE	SHEET 3 OF 3	
NONE	PH0400NL-3		