

PROT-M12 FS-M-CHAIN - Sealing cap



1430491

<https://www.phoenixcontact.com/us/products/1430491>

Please be informed that the data shown in this PDF document is generated from our online catalog. Please find the complete data in the user documentation. Our general terms of use for downloads are valid.

Sealing cap, Alternative product in accordance with RoHS II without Exemption 6c (Pb <0.1%)
item no.: 1239603



Commercial data

Item number	1430491
Packing unit	1 pc
Minimum order quantity	10 pc
Sales key	AB28
Product key	ABQZAB
Catalog page	Page 55 (C-2-2019)
GTIN	4046356325783
Weight per piece (including packing)	13.56 g
Weight per piece (excluding packing)	13.41 g
Customs tariff number	74198090
Country of origin	DE

PROT-M12 FS-M-CHAIN - Sealing cap



1430491

<https://www.phoenixcontact.com/us/products/1430491>

Technical data

Notes

General	Use up to max. 48 V AC and 60 V DC
---------	------------------------------------

Product properties

Product type	Protective cap
Thread type	M12

Material specifications

Material	CuZn/Ni
Seal material	NBR

Environmental and real-life conditions

Ambient conditions

Degree of protection	IP65
	IP67
	IP69K
Ambient temperature (operation)	-40 °C ... 85 °C

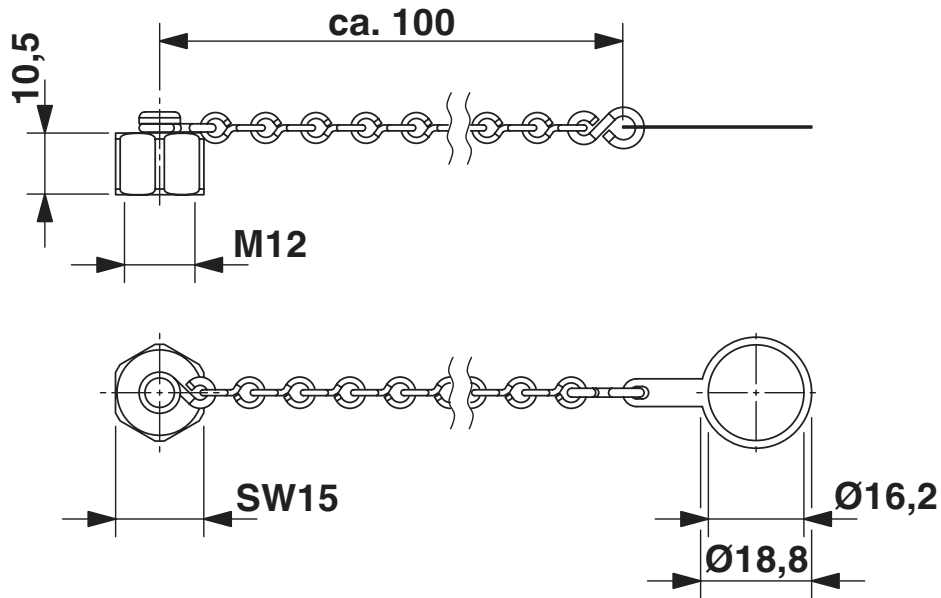
PROT-M12 FS-M-CHAIN - Sealing cap

1430491

<https://www.phoenixcontact.com/us/products/1430491>

Drawings

Dimensional drawing



Dimensional drawing

PROT-M12 FS-M-CHAIN - Sealing cap



1430491

<https://www.phoenixcontact.com/us/products/1430491>

Approvals

To download certificates, visit the product detail page: <https://www.phoenixcontact.com/us/products/1430491>



EAC

Approval ID: B.01687

PROT-M12 FS-M-CHAIN - Sealing cap



1430491

<https://www.phoenixcontact.com/us/products/1430491>

Classifications

ECLASS

ECLASS-11.0	27440208
ECLASS-12.0	27440208
ECLASS-13.0	27440208

ETIM

ETIM 8.0	EC002314
----------	----------

UNSPSC

UNSPSC 21.0	39121400
-------------	----------

PROT-M12 FS-M-CHAIN - Sealing cap



1430491

<https://www.phoenixcontact.com/us/products/1430491>

Environmental product compliance

REACH SVHC	Lead 7439-92-1
China RoHS	Environmentally Friendly Use Period = 50 years
	For information on hazardous substances, refer to the manufacturer's declaration available under "Downloads"

Phoenix Contact 2023 © - all rights reserved

<https://www.phoenixcontact.com>

Phoenix Contact USA
586 Fulling Mill Road
Middletown, PA 17057, United States
(+717) 944-1300
info@phoenixcon.com