

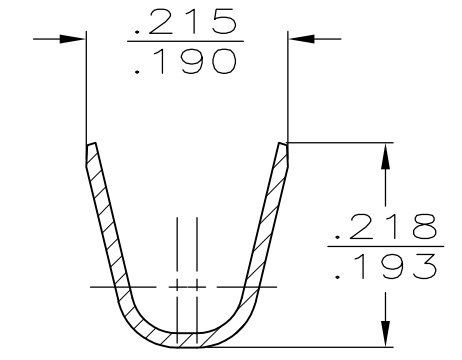
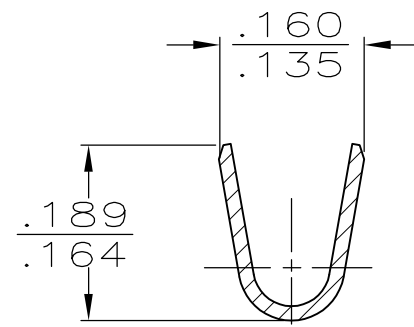
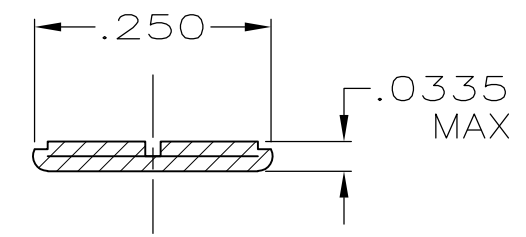
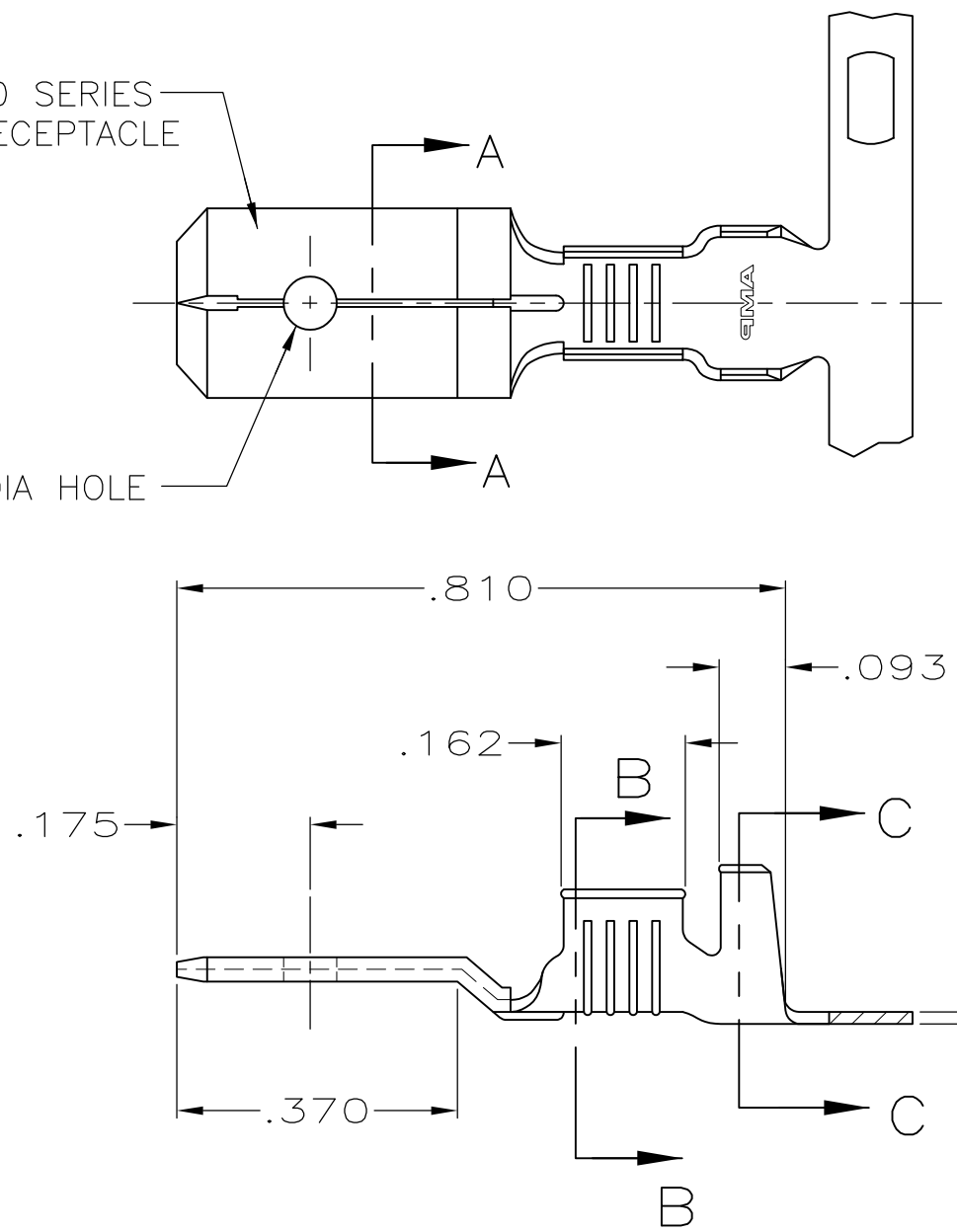
THIS DRAWING IS UNPUBLISHED. RELEASED FOR PUBLICATION
 © COPYRIGHT - By - ALL RIGHTS RESERVED.

LOC	DIST	REVISIONS			
P	LTR	DESCRIPTION	DATE	DWN	APVD
AF	50	G	REVISED PER ECR-13-011489	06DEC2013	KH PD

1 CONTINUOUS STRIP ON REELS.

FITS .250 SERIES FASTON RECEPTACLE

.075
.060 DIA HOLE



OBSOLETE	TIN .000080 MIN	.110-.170 DIA	14-12 AWG	61362-3
	SILVER .000150 MIN			61362-2
OBSOLETE				61362-1
	FINISH	INSULATION RANGE	WIRE SIZE	PART NO

THIS DRAWING IS A CONTROLLED DOCUMENT.		DWN	JR RUTH	1/31/91	TE Connectivity NAME TAB, FASTON™ .250 SERIES				
DIMENSIONS: INCHES		CHK	MS FEHER	1/31/91					
		APVD	C MEYERS	1/31/91					
TOLERANCES UNLESS OTHERWISE SPECIFIED:		PRODUCT SPEC							
0 PLC ± - 1 PLC ± - 2 PLC ± - 3 PLC ± .015 4 PLC ± - ANGLES ± -		APPLICATION SPEC			SIZE	CAGE CODE	DRAWING NO	RESTRICTED TO	
MATERIAL BRASS		FINISH SEE TABLE		WEIGHT -	A3	00779	C-61362	-	
CUSTOMER DRAWING					SCALE	4:1	SHEET	1 OF 1	REV G