

ON Semiconductor

Is Now

onsemi™

To learn more about onsemi™, please visit our website at
www.onsemi.com

onsemi and **onsemi** and other names, marks, and brands are registered and/or common law trademarks of Semiconductor Components Industries, LLC dba "**onsemi**" or its affiliates and/or subsidiaries in the United States and/or other countries. **onsemi** owns the rights to a number of patents, trademarks, copyrights, trade secrets, and other intellectual property. A listing of **onsemi** product/patent coverage may be accessed at www.onsemi.com/site/pdf/Patent-Marking.pdf. **onsemi** reserves the right to make changes at any time to any products or information herein, without notice. The information herein is provided "as-is" and **onsemi** makes no warranty, representation or guarantee regarding the accuracy of the information, product features, availability, functionality, or suitability of its products for any particular purpose, nor does **onsemi** assume any liability arising out of the application or use of any product or circuit, and specifically disclaims any and all liability, including without limitation special, consequential or incidental damages. Buyer is responsible for its products and applications using **onsemi** products, including compliance with all laws, regulations and safety requirements or standards, regardless of any support or applications information provided by **onsemi**. "Typical" parameters which may be provided in **onsemi** data sheets and/or specifications can and do vary in different applications and actual performance may vary over time. All operating parameters, including "Typicals" must be validated for each customer application by customer's technical experts. **onsemi** does not convey any license under any of its intellectual property rights nor the rights of others. **onsemi** products are not designed, intended, or authorized for use as a critical component in life support systems or any FDA Class 3 medical devices or medical devices with a same or similar classification in a foreign jurisdiction or any devices intended for implantation in the human body. Should Buyer purchase or use **onsemi** products for any such unintended or unauthorized application, Buyer shall indemnify and hold **onsemi** and its officers, employees, subsidiaries, affiliates, and distributors harmless against all claims, costs, damages, and expenses, and reasonable attorney fees arising out of, directly or indirectly, any claim of personal injury or death associated with such unintended or unauthorized use, even if such claim alleges that **onsemi** was negligent regarding the design or manufacture of the part. **onsemi** is an Equal Opportunity/Affirmative Action Employer. This literature is subject to all applicable copyright laws and is not for resale in any manner. Other names and brands may be claimed as the property of others.

CAT9555

16-bit I²C and SMBus I/O Port with Interrupt

Description

The CAT9555 is a CMOS device that provides 16-bit parallel input/output port expansion for I²C and SMBus compatible applications. These I/O expanders provide a simple solution in applications where additional I/Os are needed: sensors, power switches, LEDs, pushbuttons, and fans.

The CAT9555 consists of two 8-bit Configuration ports (input or output), Input, Output and Polarity inversion registers, and an I²C/SMBus-compatible serial interface.

Any of the sixteen I/Os can be configured as an input or output by writing to the configuration register. The system master can invert the CAT9555 input data by writing to the active-high polarity inversion register.

The CAT9555 features an active low interrupt output which indicates to the system master that an input state has changed.

The three address input pins provide the device's extended addressing capability and allow up to eight devices to share the same bus. The fixed part of the I²C slave address is the same as the CAT9554, allowing up to eight of these devices in any combination to be connected on the same bus.

Features

- 400 kHz I²C Bus Compatible
- 2.3 V to 5.5 V Operation
- Low Stand-by Current
- 5 V Tolerant I/Os
- 16 I/O Pins that Default to Inputs at Power-up
- High Drive Capability
- Individual I/O Configuration
- Polarity Inversion Register
- Active Low Interrupt Output
- Internal Power-on Reset
- No Glitch on Power-up
- Noise Filter on SDA/SCL Inputs
- Cascadable up to 8 Devices
- Industrial Temperature Range
- 24-lead SOIC and TSSOP, and 24-pad TQFN (4 x 4 mm) Packages
- These Devices are Pb-Free, Halogen Free/BFR Free and are RoHS Compliant

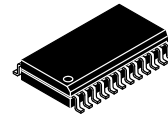
Applications

- White Goods (dishwashers, washing machines)
- Handheld Devices (cell phones, PDAs, digital cameras)
- Data Communications (routers, hubs and servers)

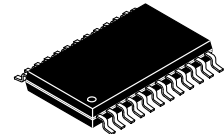


ON Semiconductor®

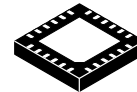
<http://onsemi.com>



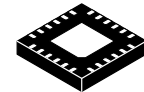
SOIC-24
W SUFFIX
CASE 751BK



TSSOP-24
Y SUFFIX
CASE 948AR

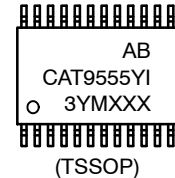
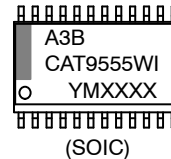


TQFN-24
HV6 SUFFIX
CASE 510AG

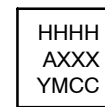


TQFN-24
HT6 SUFFIX
CASE 510AN

MARKING DIAGRAMS



- A = Assembly Location
3 = Matte-Tin Lead Finish
B = Product Revision (Fixed as "B")
CAT955W = Device Code (SOIC)
CAT9555Y = Device Code (TSSOP)
I = Industrial Temperature Range
Y = Production Year (Last Digit)
M = Production Month (1-9, O, N, D)
XXX = Last Three Digits of Assembly Lot Number
XXXX = Last Four Digits of Assembly Lot Number



(TQFN)

- HHHH = Device Code MAAB = HT6
 LAAB = HV6
- A = Assembly Location
XXX = Last Three Digits of Assembly Lot Number
Y = Production Year (Last Digit)
M = Production Month (1-9, O, N, D)
CC = Country Code TH = Thailand
 MY = Malaysia

ORDERING INFORMATION

See detailed ordering and shipping information in the package dimensions section on page 16 of this data sheet.

CAT9555

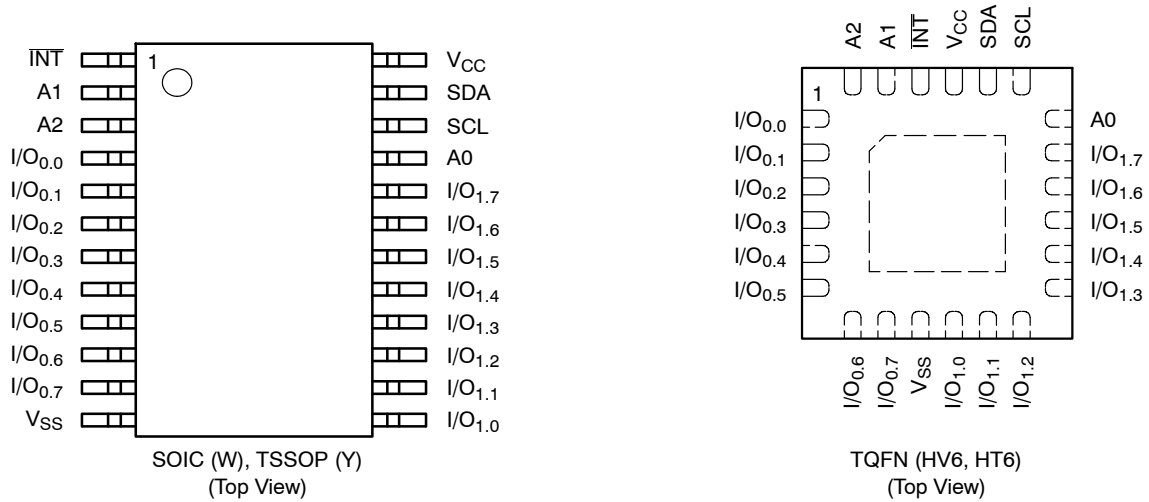


Figure 1. Pin Configurations

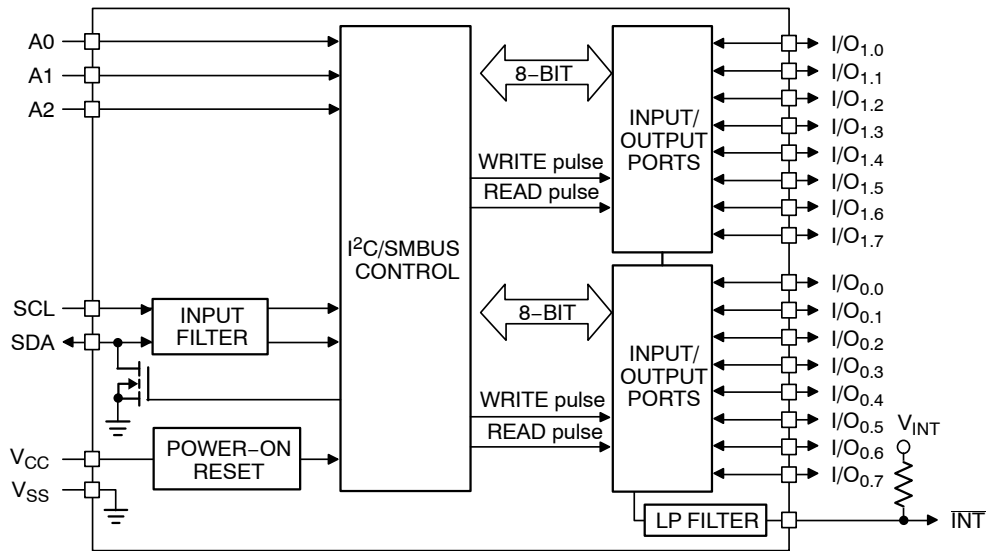


Figure 2. Block Diagram

CAT9555

Table 1. PIN DESCRIPTION

SOIC / TSSOP	TQFN	Pin Name	Function
1	22	$\overline{\text{INT}}$	Interrupt Output (open drain)
2	23	A1	Address Input 1
3	24	A2	Address Input 2
4–11	1–8	I/O _{0.0} – I/O _{0.7}	I/O Port 0.0 to I/O Port 0.7
12	9	V _{SS}	Ground
13–20	10–17	I/O _{1.0} – I/O _{1.7}	I/O Port 1.0 to I/O Port 1.7
21	18	A0	Address Input 0
22	19	SCL	Serial Clock
23	20	SDA	Serial Data
24	21	V _{CC}	Power Supply

Table 2. ABSOLUTE MAXIMUM RATINGS

Parameters	Ratings	Units
V _{CC} with Respect to Ground	–0.5 to +6.5	V
Voltage on Any Pin with Respect to Ground	–0.5 to +5.5	V
DC Current on I/O _{1.0} to I/O _{1.7} , I/O _{0.0} to I/O _{0.7}	±50	mA
DC Input Current	±20	mA
V _{CC} Supply Current	160	mA
V _{SS} Supply Current	200	mA
Package Power Dissipation Capability (T _A = 25°C)	1.0	W
Junction Temperature	+150	°C
Storage Temperature	–65 to +150	°C

Stresses exceeding Maximum Ratings may damage the device. Maximum Ratings are stress ratings only. Functional operation above the Recommended Operating Conditions is not implied. Extended exposure to stresses above the Recommended Operating Conditions may affect device reliability.

Table 3. RELIABILITY CHARACTERISTICS

Symbol	Parameter	Reference Test Method	Min	Units
V _{ZAP} (Note 1)	ESD Susceptibility	JEDEC Standard JESD 22	2000	V
I _{LTH} (Note 1)	Latch-up	JEDEC JESD78A	100	mA

1. This parameter is tested initially and after a design or process change that affects the parameter.

CAT9555

Table 4. D.C. OPERATING CHARACTERISTICS ($V_{CC} = 2.3\text{ V to }5.5\text{ V}$; $V_{SS} = 0\text{ V}$; $T_A = -40^\circ\text{C to }+85^\circ\text{C}$, unless otherwise specified.)

Symbol	Parameter	Conditions	Min	Typ	Max	Unit
--------	-----------	------------	-----	-----	-----	------

SUPPLIES

V_{CC}	Supply voltage		2.3	–	5.5	V
I_{CC}	Supply current	Operating mode; $V_{CC} = 5.5\text{ V}$; no load; $f_{SCL} = 100\text{ kHz}$	–	135	200	μA
I_{stbl}	Standby current	Standby mode; $V_{CC} = 5.5\text{ V}$; no load; $V_I = V_{SS}$; $f_{SCL} = 0\text{ kHz}$; I/O = inputs	–	1.1	1.5	mA
I_{stbh}	Standby current	Standby mode; $V_{CC} = 5.5\text{ V}$; no load; $V_I = V_{CC}$; $f_{SCL} = 0\text{ kHz}$; I/O = inputs	–	0.75	1	μA
V_{POR}	Power-on reset voltage	No load; $V_I = V_{CC}$ or V_{SS}	–	1.5	1.65	V

SCL, SDA, INT

V_{IL} (Note 2)	Low level input voltage		–0.5	–	$0.3 \times V_{CC}$	V
V_{IH} (Note 2)	High level input voltage		$0.7 \times V_{CC}$	–	5.5	V
I_{OL}	Low level output current	$V_{OL} = 0.4\text{ V}$	3	–	–	mA
I_L	Leakage current	$V_I = V_{CC} = V_{SS}$	–1	–	+1	μA
C_I (Note 3)	Input capacitance	$V_I = V_{SS}$	–	–	6	pF
C_O (Note 3)	Output capacitance	$V_O = V_{SS}$	–	–	8	pF

A0, A1, A2

V_{IL} (Note 2)	Low level input voltage		–0.5	–	$0.3 \times V_{CC}$	V
V_{IH} (Note 2)	High level input voltage		$0.7 \times V_{CC}$	–	5.5	V
I_{LI}	Input leakage current		–1	–	1	μA

I/Os

V_{IL}	Low level input voltage		–0.5	–	$0.3 \times V_{CC}$	V
V_{IH}	High level input voltage		$0.7 \times V_{CC}$	–	5.5	V
I_{OL}	Low level output current	$V_{OL} = 0.5\text{ V}$; $V_{CC} = 2.3\text{ V to }5.5\text{ V}$ (Note 4)	8	8 to 20	–	mA
		$V_{OL} = 0.7\text{ V}$; $V_{CC} = 2.3\text{ V to }5.5\text{ V}$ (Note 4)	10	10 to 24	–	
V_{OH}	High level output voltage	$I_{OH} = -8\text{ mA}$; $V_{CC} = 2.3\text{ V}$ (Note 5)	1.8	–	–	V
		$I_{OH} = -10\text{ mA}$; $V_{CC} = 2.3\text{ V}$ (Note 5)	1.7	–	–	
		$I_{OH} = -8\text{ mA}$; $V_{CC} = 3.0\text{ V}$ (Note 5)	2.6	–	–	
		$I_{OH} = -10\text{ mA}$; $V_{CC} = 3.0\text{ V}$ (Note 5)	2.5	–	–	
		$I_{OH} = -8\text{ mA}$; $V_{CC} = 4.75\text{ V}$ (Note 5)	4.1	–	–	
		$I_{OH} = -10\text{ mA}$; $V_{CC} = 4.75\text{ V}$ (Note 5)	4.0	–	–	
I_{IH}	Input leakage current	$V_{CC} = 3.6\text{ V}$; $V_I = V_{CC}$	–	–	1	μA
I_{IL}	Input leakage current	$V_{CC} = 5.5\text{ V}$; $V_I = V_{SS}$	–	–	–100	μA
C_I (Note 3)	Input capacitance		–	–	5	pF
C_O (Note 3)	Output capacitance		–	–	8	pF

2. V_{IL} min and V_{IH} max are reference values only and are not tested.
3. This parameter is characterized initially and after a design or process change that affects the parameter. Not 100% tested.
4. Each I/Os must be externally limited to a maximum of 25 mA and each octal ($I/O_{0,0}$ to $I/O_{0,7}$ and $I/O_{1,0}$ to $I/O_{1,7}$) must be limited to a maximum current of 100 mA for a device total of 200 mA.
5. The total current sourced by all I/Os must be limited to 160 mA.

CAT9555

Table 5. A.C. CHARACTERISTICS ($V_{CC} = 2.3\text{ V to }5.5\text{ V}$, $T_A = -40^\circ\text{C to }+85^\circ\text{C}$, unless otherwise specified) (Note 6)

Symbol	Parameter	Standard I ² C		Fast I ² C		Units
		Min	Max	Min	Max	
F_{SCL}	Clock Frequency		100		400	kHz
$t_{HD:STA}$	START Condition Hold Time	4		0.6		μs
t_{LOW}	Low Period of SCL Clock	4.7		1.3		μs
t_{HIGH}	High Period of SCL Clock	4		0.6		μs
$t_{SU:STA}$	START Condition Setup Time	4.7		0.6		μs
$t_{HD:DAT}$	Data In Hold Time	0		0		μs
$t_{SU:DAT}$	Data In Setup Time	250		100		ns
t_R (Note 7)	SDA and SCL Rise Time		1000		300	ns
t_F (Note 7)	SDA and SCL Fall Time		300		300	ns
$t_{SU:STO}$	STOP Condition Setup Time	4		0.6		μs
t_{BUF} (Note 7)	Bus Free Time Between STOP and START	4.7		1.3		μs
t_{AA}	SCL Low to Data Out Valid		3.5		0.9	μs
t_{DH}	Data Out Hold Time	100		50		ns
T_i (Note 7)	Noise Pulse Filtered at SCL and SDA Inputs		100		100	ns

PORT TIMING

t_{PV}	Output Data Valid		200	ns
t_{PS}	Input Data Setup Time		100	ns
t_{PH}	Input Data Hold Time		1	μs

INTERRUPT TIMING

t_{IV}	Interrupt Valid		4	μs
t_{IR}	Interrupt Reset		4	μs

6. Test conditions according to "AC Test Conditions" table.

7. This parameter is characterized initially and after a design or process change that affects the parameter. Not 100% tested.

Table 6. A.C. TEST CONDITIONS

Input Rise and Fall time	$\leq 10\text{ ns}$
CMOS Input Voltages	$0.2 V_{CC}$ to $0.8 V_{CC}$
CMOS Input Reference Voltages	$0.3 V_{CC}$ to $0.7 V_{CC}$
Output Reference Voltages	$0.5 V_{CC}$
Output Load: SDA, \overline{INT}	Current Source: $I_{OL} = 3\text{ mA}$; $C_L = 100\text{ pF}$
Output Load: I/Os	Current Source: $I_{OL}/I_{OH} = 10\text{ mA}$; $C_L = 50\text{ pF}$

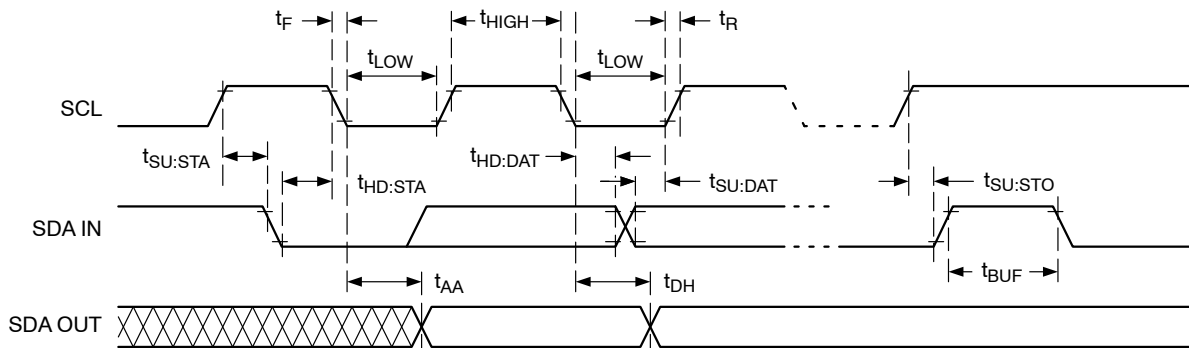


Figure 3. I²C Serial Interface Timing

Pin Description

SCL: Serial Clock

The serial clock input clocks all data transferred into or out of the device. The SCL line requires a pull-up resistor if it is driven by an open drain output.

SDA: Serial Data/Address

The bidirectional serial data/address pin is used to transfer all data into and out of the device. The SDA pin is an open drain output and can be wire-ORed with other open drain or open collector outputs. A pull-up resistor must be connected from SDA line to V_{CC} . The value of the pull-up resistor, R_p , can be calculated based on minimum and maximum values from Figure 4 and Figure 5 (see Note).

A0, A1, A2: Device Address Inputs

These inputs are used for extended addressing capability. The A0, A1, A2 pins should be hardwired to V_{CC} or V_{SS} . When hardwired, up to eight CAT9555s may be addressed on a single bus system. The levels on these inputs are compared with corresponding bits, A2, A1, A0, from the slave address byte.

I/O_{0.0} to I/O_{0.7}, I/O_{1.0} to I/O_{1.7}: Input / Output Ports

Any of these pins may be configured as input or output. The simplified schematic of I/O₀ to I/O₇ is shown in Figure 6. When an I/O is configured as an input, the Q1 and Q2 output transistors are off creating a high impedance input with a weak pull-up resistor (typical 100 kΩ). If the I/O pin is configured as an output, the push-pull output stage is enabled. Care should be taken if an external voltage is applied to an I/O pin configured as an output due to the low impedance paths that exist between the pin and either V_{CC} or V_{SS} .

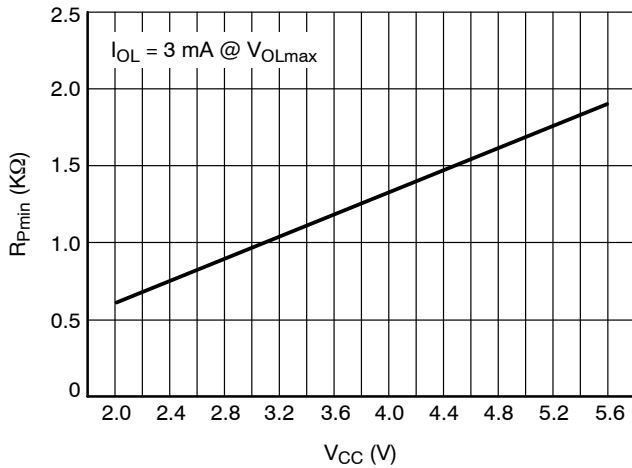


Figure 4. Minimum R_p as a Function of Supply Voltage

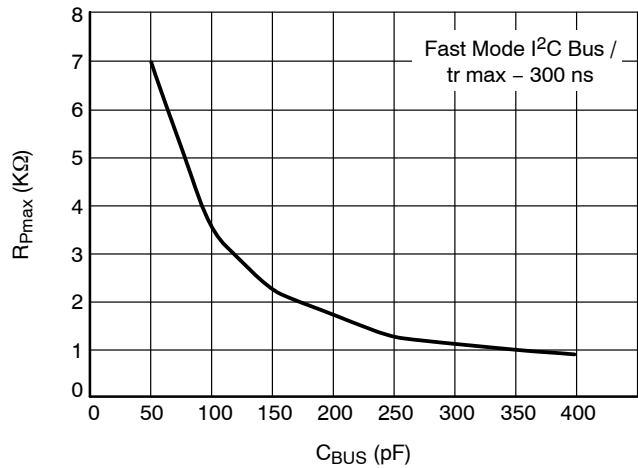


Figure 5. Maximum R_p Value vs. Bus Capacitance

NOTE: According to the Fast Mode I²C bus specification, for bus capacitance up to 200 pF, the pull up device can be a resistor. For bus loads between 200 pF and 400 pF, the pull-up device can be a current source ($I_{max} = 3$ mA) or a switched resistor circuit.

INT: Interrupt Output

The open-drain interrupt output is activated when one of the port pins configured as an input changes state (differs from the corresponding input port register bit state). The interrupt is deactivated when the input returns to its previous state or the input port register is read.

Since there are two 8-bit ports that are read independently, the interrupt caused by Port 0 will not be cleared by a read of Port 1, or vice versa.

Changing an I/O from an output to an input may cause a false interrupt if the state of the pin does not match the contents of the input port register.

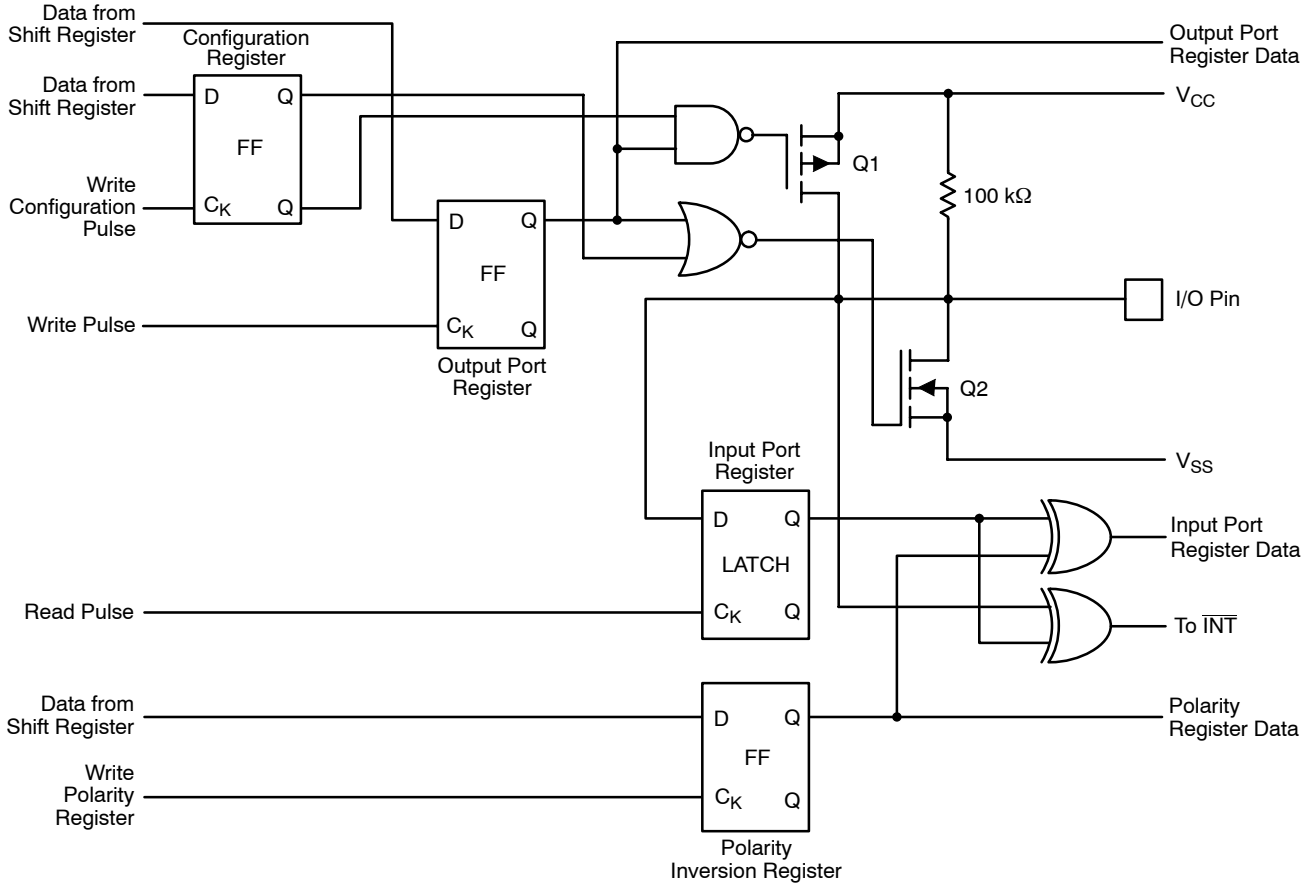


Figure 6. Simplified Schematic of I/Os

FUNCTIONAL DESCRIPTION

The CAT9555 general purpose input/output (GPIO) peripheral provides up to sixteen I/O ports, controlled through an I²C compatible serial interface.

The CAT9555 supports the I²C Bus data transmission protocol. This Inter-Integrated Circuit Bus protocol defines any device that sends data to the bus to be a transmitter and any device receiving data to be a receiver. The transfer is controlled by the Master device which generates the serial clock and all START and STOP conditions for bus access. The CAT9555 operates as a Slave device. Both the Master device and Slave device can operate as either transmitter or receiver, but the Master device controls which mode is activated.

I²C Bus Protocol

The features of the I²C bus protocol are defined as follows:

1. Data transfer may be initiated only when the bus is not busy.
2. During a data transfer, the data line must remain stable whenever the clock line is high. Any changes in the data line while the clock line is high will be interpreted as a START or STOP condition (Figure 7).

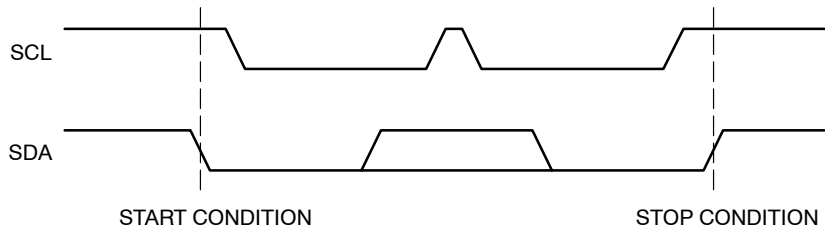


Figure 7. START/STOP Condition

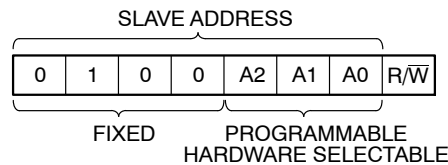


Figure 8. CAT9555 Slave Address

Acknowledge

After a successful data transfer, each receiving device is required to generate an acknowledge. The acknowledging device pulls down the SDA line during the ninth clock cycle, signaling that it received the 8 bits of data. The SDA line remains stable LOW during the HIGH period of the acknowledge related clock pulse (Figure 9).

The CAT9555 responds with an acknowledge after receiving a START condition and its slave address. If the device has been selected along with a write operation, it responds with an acknowledge after receiving each data byte.

START and STOP Conditions

The START Condition precedes all commands to the device, and is defined as a HIGH to LOW transition of SDA when SCL is HIGH. The CAT9555 monitors the SDA and SCL lines and will not respond until this condition is met.

A LOW to HIGH transition of SDA when SCL is HIGH determines the STOP condition. All operations must end with a STOP condition.

Device Addressing

After the bus Master sends a START condition, a slave address byte is required to enable the CAT9555 for a read or write operation. The four most significant bits of the slave address are fixed as binary 0100 (Figure 8). The CAT9555 uses the next three bits as address bits.

The address bits A2, A1 and A0 are used to select which device is accessed from maximum eight devices on the same bus. These bits must compare to their hardwired input pins. The 8th bit following the 7-bit slave address is the R/W bit that specifies whether a read or write operation is to be performed. When this bit is set to “1”, a read operation is initiated, and when set to “0”, a write operation is selected.

Following the START condition and the slave address byte, the CAT9555 monitors the bus and responds with an acknowledge (on the SDA line) when its address matches the transmitted slave address. The CAT9555 then performs a read or a write operation depending on the state of the R/W bit.

When the CAT9555 begins a READ mode it transmits 8 bits of data, releases the SDA line, and monitors the line for an acknowledge. Once it receives this acknowledge, the CAT9555 will continue to transmit data. If no acknowledge is sent by the Master, the device terminates data transmission and waits for a STOP condition. The master must then issue a stop condition to return the CAT9555 to the standby power mode and place the device in a known state.

Registers and Bus Transactions

The CAT9555 internal registers and their address and function are shown in Table 7.

The command byte is the first byte to follow the device address byte during a write/read bus transaction. The register command byte acts as a pointer to determine which register will be written or read.

The input port register is a read only port. It reflects the incoming logic levels of the I/O pins, regardless of whether the pin is defined as an input or an output by the configuration register. Writes to the input port register are ignored.

Table 7. REGISTER COMMAND BYTE

Command (hex)	Register
0h	Input Port 0
1h	Input Port 1
2h	Output Port 0
3h	Output Port 1
4h	Polarity Inversion Port 0
5h	Polarity Inversion Port 1
6h	Configuration Port 0
7h	Configuration Port 1

Table 8. REGISTERS 0 AND 1 – INPUT PORT REGISTERS

bit	I _{0.7}	I _{0.6}	I _{0.5}	I _{0.4}	I _{0.3}	I _{0.2}	I _{0.1}	I _{0.0}
default	X	X	X	X	X	X	X	X
bit	I _{1.7}	I _{1.6}	I _{1.5}	I _{1.4}	I _{1.3}	I _{1.2}	I _{1.1}	I _{1.0}
default	X	X	X	X	X	X	X	X

Table 9. REGISTERS 2 AND 3 – OUTPUT PORT REGISTERS

bit	O _{0.7}	O _{0.6}	O _{0.5}	O _{0.4}	O _{0.3}	O _{0.2}	O _{0.1}	O _{0.0}
default	1	1	1	1	1	1	1	1
bit	O _{1.7}	O _{1.6}	O _{1.5}	O _{1.4}	O _{1.3}	O _{1.2}	O _{1.1}	O _{1.0}
default	1	1	1	1	1	1	1	1

Table 10. REGISTERS 4 AND 5 – POLARITY INVERSION REGISTERS

bit	N _{0.7}	N _{0.6}	N _{0.5}	N _{0.4}	N _{0.3}	N _{0.2}	N _{0.1}	N _{0.0}
default	0	0	0	0	0	0	0	0
bit	N _{1.7}	N _{1.6}	N _{1.5}	N _{1.4}	N _{1.3}	N _{1.2}	N _{1.1}	N _{1.0}
default	0	0	0	0	0	0	0	0

Table 11. REGISTERS 6 AND 7 – CONFIGURATION REGISTERS

bit	C _{0.7}	C _{0.6}	C _{0.5}	C _{0.4}	C _{0.3}	C _{0.2}	C _{0.1}	C _{0.0}
default	1	1	1	1	1	1	1	1
bit	C _{1.7}	C _{1.6}	C _{1.5}	C _{1.4}	C _{1.3}	C _{1.2}	C _{1.1}	C _{1.0}
default	1	1	1	1	1	1	1	1

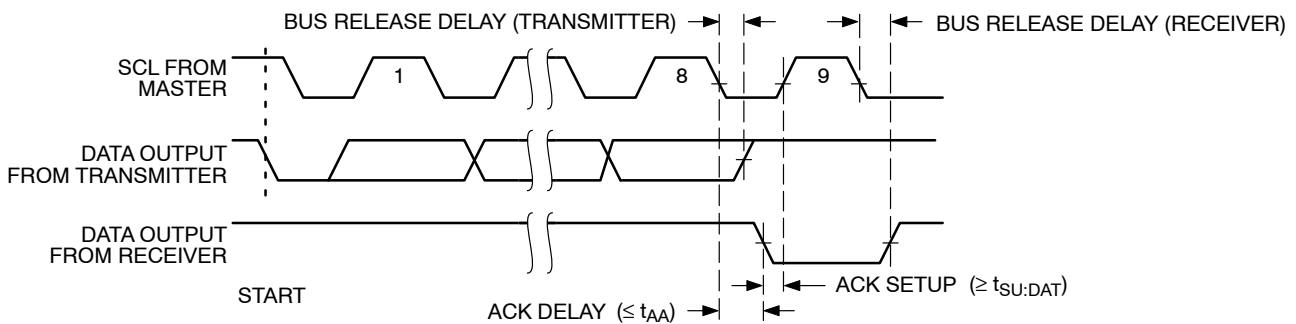


Figure 9. Acknowledge Timing

CAT9555

The output port register sets the outgoing logic levels of the I/O ports, defined as outputs by the configuration register. Bit values in this register have no effect on I/O pins defined as inputs. Reads from the output port register reflect the value that is in the flip-flop controlling the output, not the actual I/O pin value.

The polarity inversion register allows the user to invert the polarity of the input port register data. If a bit in this register is set ("1") the corresponding input port data is inverted. If a bit in the polarity inversion register is cleared ("0"), the original input port polarity is retained.

The configuration register sets the directions of the ports. Set the bit in the configuration register to enable the corresponding port pin as an input with a high impedance output driver. If a bit in this register is cleared, the corresponding port pin is enabled as an output. At power-up, the I/Os are configured as inputs with a weak pull-up resistor to V_{CC}.

Writing to the Port Registers

Data is transmitted to the CAT9555 registers using the write mode shown in Figure 10 and Figure 11.

The CAT9555 registers are configured to operate at four register pairs: Input Ports, Output Ports, Polarity Inversion Ports and Configuration Ports. After sending data to one register, the next data byte will be sent to the other register in the pair. For example, if the first byte of data is sent to the Configuration Port 1 (register 7), the next byte will be stored in the Configuration Port 0 (register 6). Each 8-bit register may be updated independently of the other registers.

Reading the Port Registers

The CAT9555 registers are read according to the timing diagrams shown in Figure 12 and Figure 13. Data from the register, defined by the command byte, will be sent serially on the SDA line. Data is clocked into the register on the falling edge of the acknowledge clock pulse. After the first byte is read, additional data bytes may be read, but the second read will reflect the data from the other register in the pair. For example, if the first read is data from Input Port 0, the next read data will be from Input Port 1. The transfer is stopped when the master will not acknowledge the data byte received and issue the STOP condition.

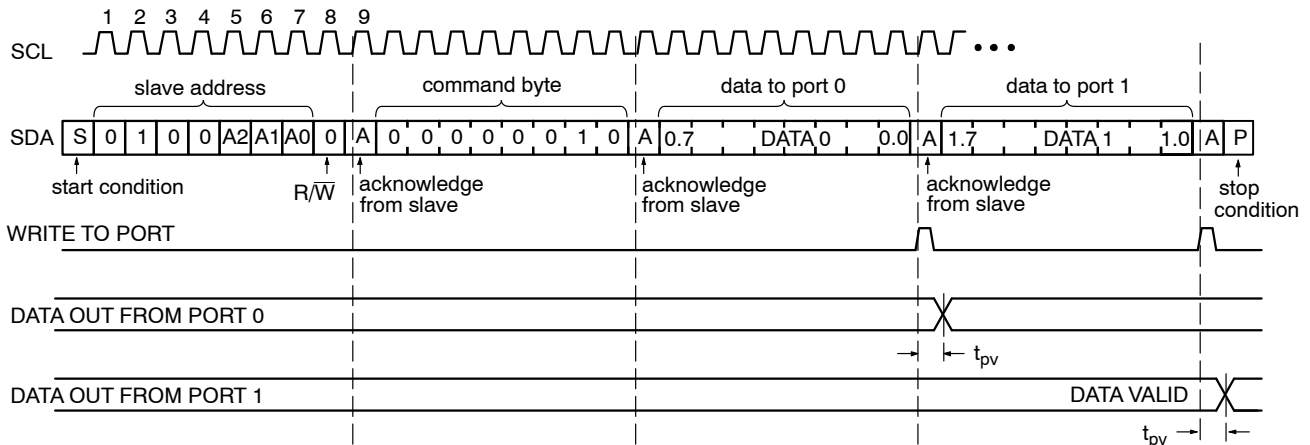


Figure 10. Write to Output Port Register

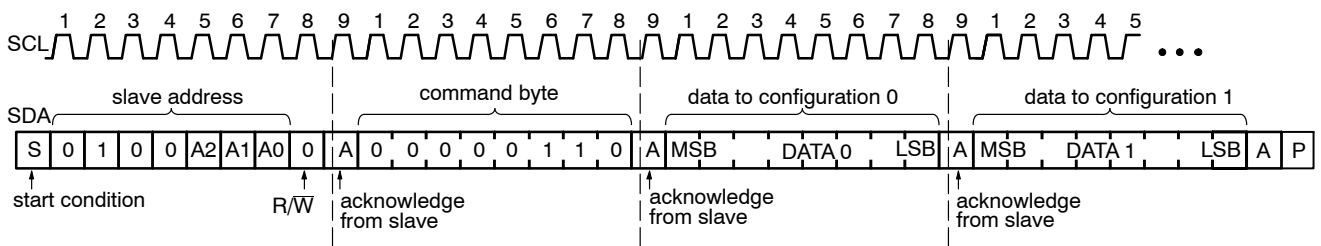


Figure 11. Write to Configuration Register

CAT9555

Power-On Reset Operation

When the power supply is applied to V_{CC} pin, an internal power-on reset pulse holds the CAT9555 in a reset state until V_{CC} reaches V_{POR} level. At this point, the reset condition is released and the internal state machine and the CAT9555 registers are initialized to their default state.

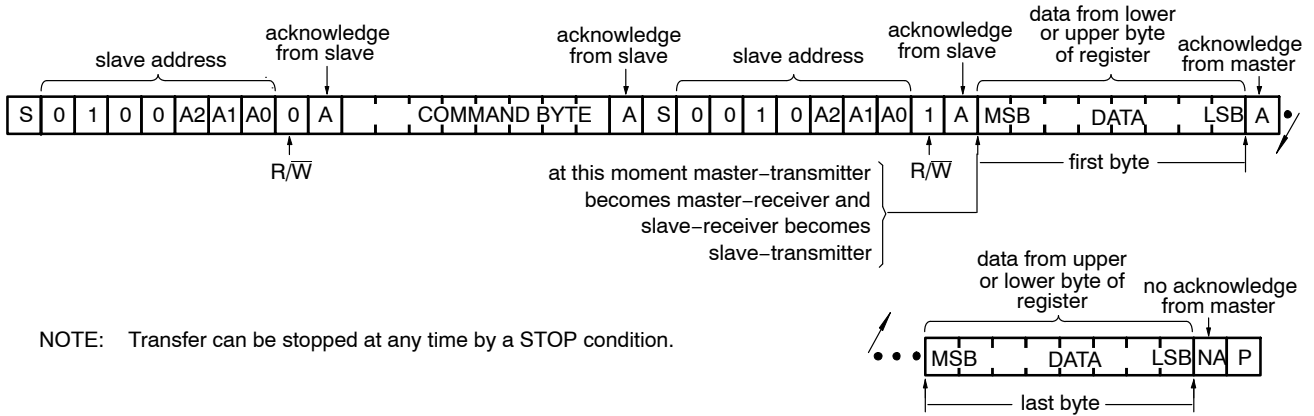


Figure 12. Read from Register

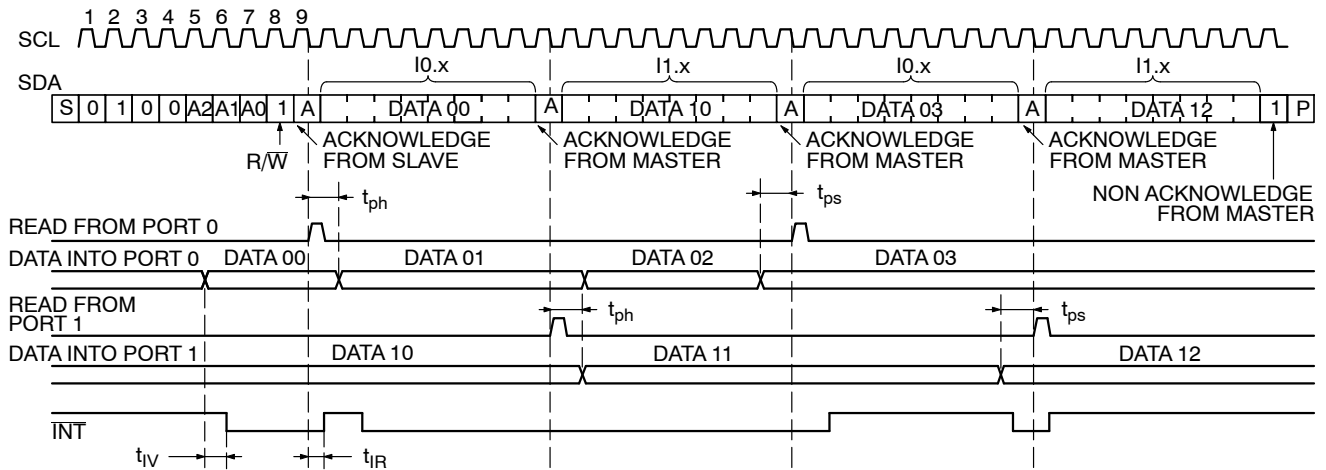
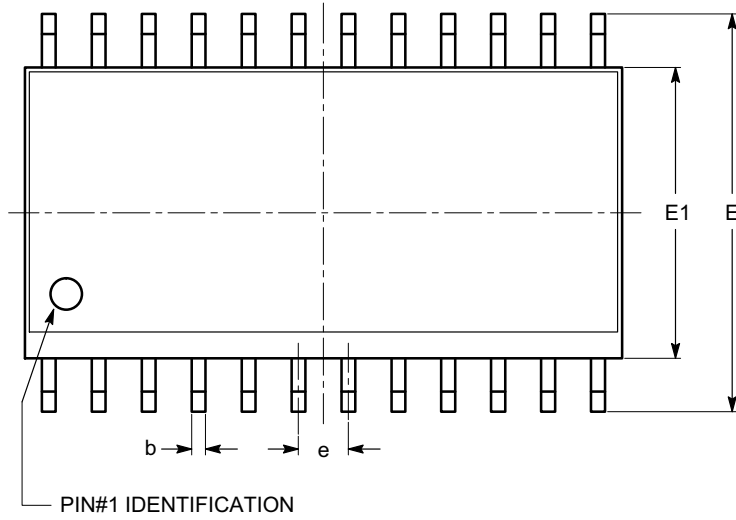


Figure 13. Read Input Port Register

CAT9555

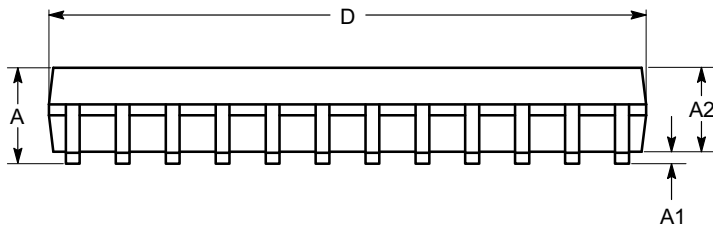
PACKAGE DIMENSIONS

SOIC-24, 300 mils
CASE 751BK-01
ISSUE O

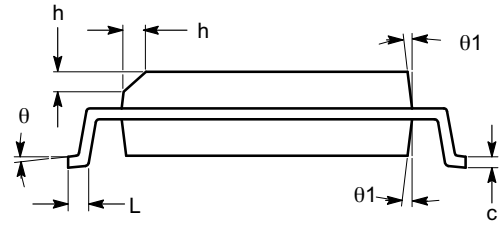


TOP VIEW

SYMBOL	MIN	NOM	MAX
A	2.35		2.65
A1	0.10		0.30
A2	2.05		2.55
b	0.31		0.51
c	0.20		0.33
D	15.20		15.40
E	10.11		10.51
E1	7.34		7.60
e	1.27 BSC		
h	0.25		0.75
L	0.40		1.27
θ	0°		8°
θ_1	5°		15°



SIDE VIEW



END VIEW

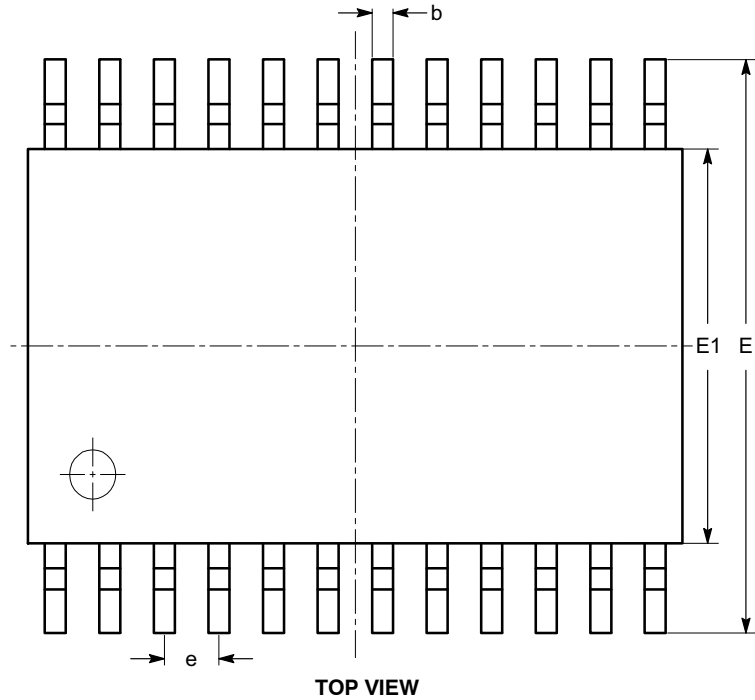
Notes:

- (1) All dimensions are in millimeters. Angles in degrees.
- (2) Complies with JEDEC MS-013.

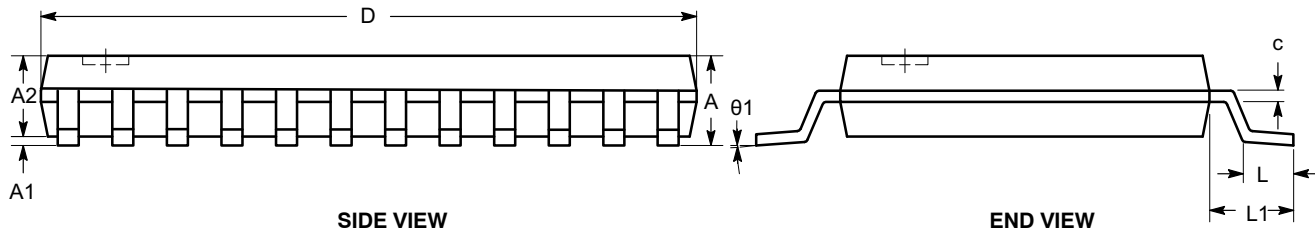
CAT9555

PACKAGE DIMENSIONS

TSSOP24, 4.4x7.8
CASE 948AR-01
ISSUE A



SYMBOL	MIN	NOM	MAX
A			1.20
A1	0.05		0.15
A2	0.80		1.05
b	0.19		0.30
c	0.09		0.20
D	7.70	7.80	7.90
E	6.25	6.40	6.55
E1	4.30	4.40	4.50
e	0.65 BSC		
L	0.50	0.60	0.70
L1	1.00 REF		
θ	0°		8°



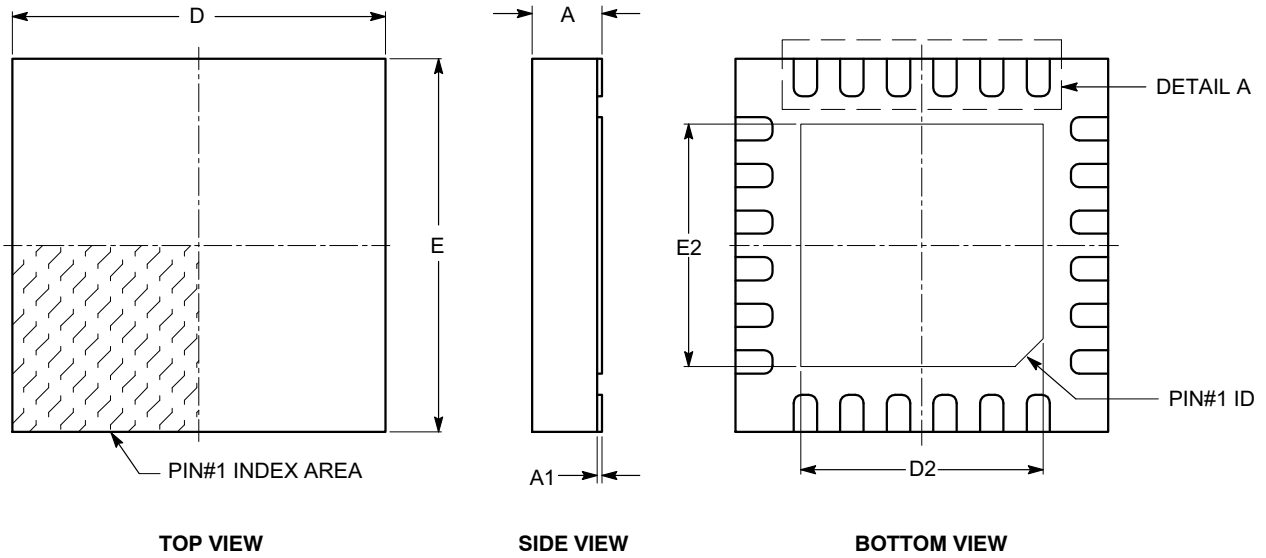
Notes:

- (1) All dimensions are in millimeters. Angles in degrees.
- (2) Complies with JEDEC MO-153.

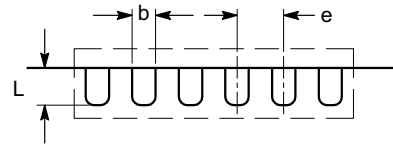
CAT9555

PACKAGE DIMENSIONS

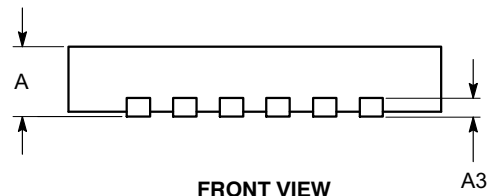
TQFN24, 4x4
CASE 510AG-01
ISSUE B



SYMBOL	MIN	NOM	MAX
A	0.70	0.75	0.80
A1	0.00		0.05
A3	0.20 REF		
b	0.20	0.25	0.30
D	4.00 BSC		
D2	2.70	2.80	2.90
E	4.00 BSC		
E2	2.70	2.80	2.90
e	0.50 BSC		
L	0.30		0.50



DETAIL A



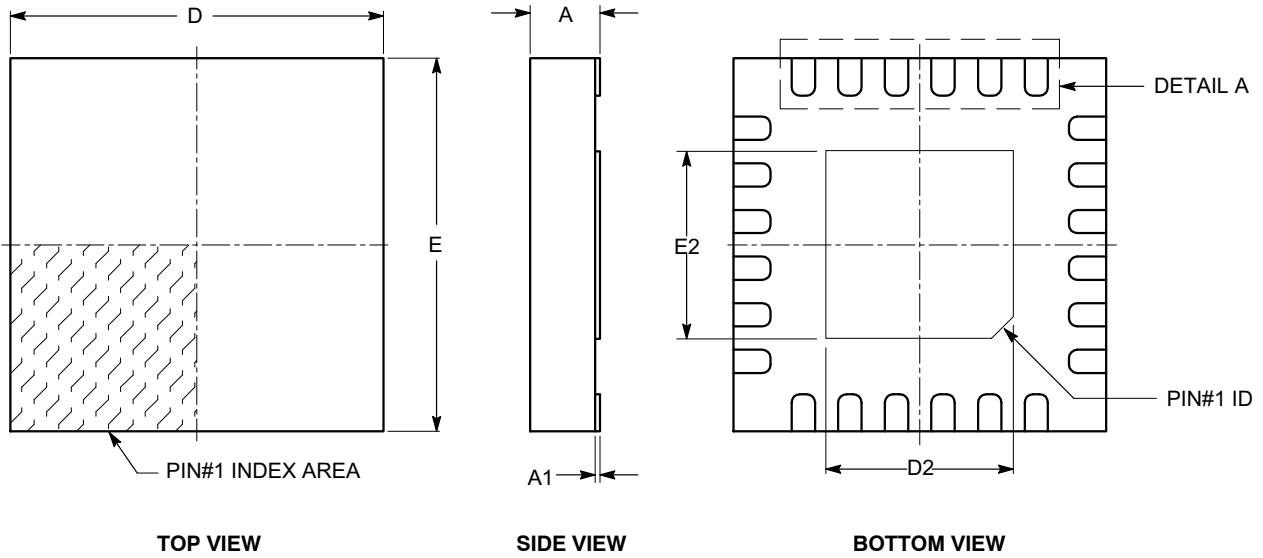
Notes:

- (1) All dimensions are in millimeters.
- (2) Complies with JEDEC MO-220.
- (3) Minimum space between leads and flag cannot be smaller than 0.15 mm.

CAT9555

PACKAGE DIMENSIONS

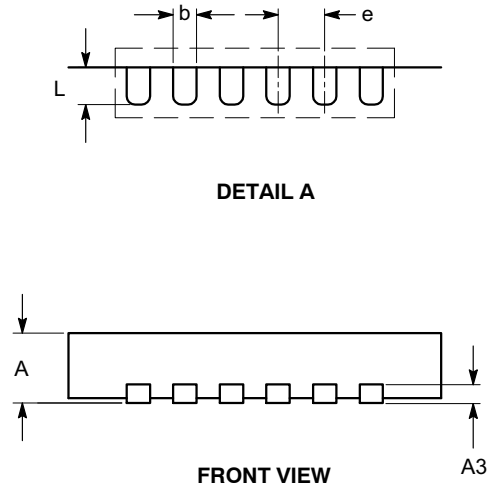
TQFN24, 4x4 TA
CASE 510AN-01
ISSUE O



SYMBOL	MIN	NOM	MAX
A	0.70	0.75	0.80
A1	0.00	-	0.05
A3	0.20 REF		
b	0.20	0.25	0.30
D	4.00 BSC		
D2	2.00	-	2.20
E	4.00 BSC		
E2	2.00	-	2.20
e	0.50 BSC		
L	0.30	-	0.50

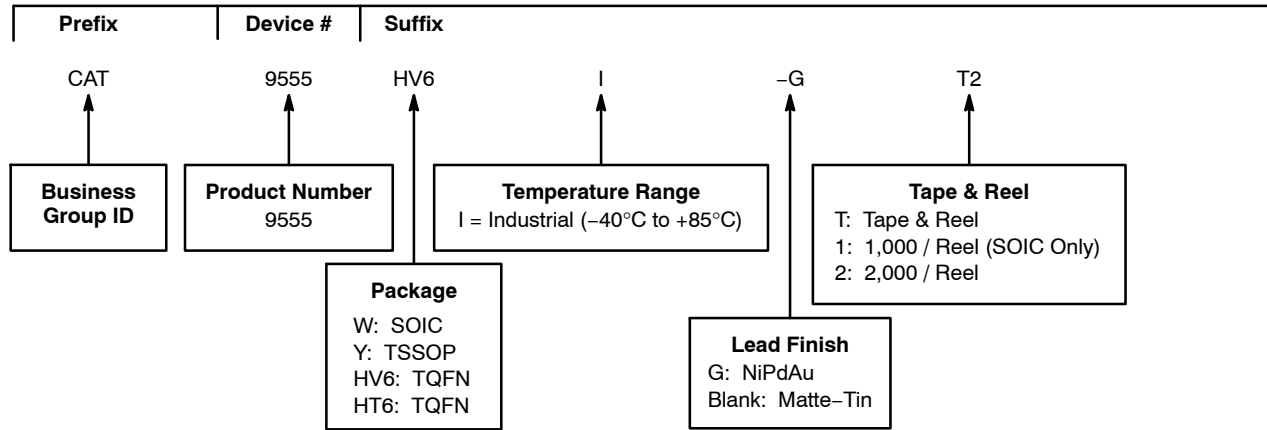
Notes:

- (1) All dimensions are in millimeters.
- (2) Complies with JEDEC MO-220.
- (3) Minimum space between leads and flag cannot be smaller than 0.15 mm.



CAT9555

Example of Ordering Information (Notes 8 to 12)




8. All packages are RoHS-compliant (Lead-free, Halogen-free).
9. The standard lead finish is Matte-Tin for SOIC and TSSOP packages and NiPdAu for TQFN package.
10. The device used in the above example is a CAT9555HV6I-GT2 (TQFN, Industrial Temperature, NiPdAu, Tape & Reel, 2,000/Reel).
11. For additional package and temperature options, please contact your nearest ON Semiconductor Sales office.
12. For information on tape and reel specifications, including part orientation and tape sizes, please refer to our Tape and Reel Packaging Specifications Brochure, BRD8011/D.

Table 12. ORDERING PART NUMBER

Part Number	Package	Lead Finish
CAT9555WI	SOIC	Matte-Tin
CAT9555WI-T1	SOIC	Matte-Tin
CAT9555YI	TSSOP	Matte-Tin
CAT9555YI-T2	TSSOP	Matte-Tin
CAT9555HV6I-G	TQFN	NiPdAu
CAT9555HV6I-GT2	TQFN	NiPdAu
CAT9555HT6I-G	TQFN	NiPdAu
CAT9555HT6I-GT2	TQFN	NiPdAu

ON Semiconductor is licensed by Philips Corporation to carry the I²C Protocol.

ON Semiconductor and  are registered trademarks of Semiconductor Components Industries, LLC (SCILLC). SCILLC reserves the right to make changes without further notice to any products herein. SCILLC makes no warranty, representation or guarantee regarding the suitability of its products for any particular purpose, nor does SCILLC assume any liability arising out of the application or use of any product or circuit, and specifically disclaims any and all liability, including without limitation special, consequential or incidental damages. "Typical" parameters which may be provided in SCILLC data sheets and/or specifications can and do vary in different applications and actual performance may vary over time. All operating parameters, including "Typicals" must be validated for each customer application by customer's technical experts. SCILLC does not convey any license under its patent rights nor the rights of others. SCILLC products are not designed, intended, or authorized for use as components in systems intended for surgical implant into the body, or other applications intended to support or sustain life, or for any other application in which the failure of the SCILLC product could create a situation where personal injury or death may occur. Should Buyer purchase or use SCILLC products for any such unintended or unauthorized application, Buyer shall indemnify and hold SCILLC and its officers, employees, subsidiaries, affiliates, and distributors harmless against all claims, costs, damages, and expenses, and reasonable attorney fees arising out of, directly or indirectly, any claim of personal injury or death associated with such unintended or unauthorized use, even if such claim alleges that SCILLC was negligent regarding the design or manufacture of the part. SCILLC is an Equal Opportunity/Affirmative Action Employer. This literature is subject to all applicable copyright laws and is not for resale in any manner.

PUBLICATION ORDERING INFORMATION

LITERATURE FULFILLMENT:
Literature Distribution Center for ON Semiconductor
P.O. Box 5163, Denver, Colorado 80217 USA
Phone: 303-675-2175 or 800-344-3860 Toll Free USA/Canada
Fax: 303-675-2176 or 800-344-3867 Toll Free USA/Canada
Email: orderlit@onsemi.com

N. American Technical Support: 800-282-9855 Toll Free
USA/Canada
Europe, Middle East and Africa Technical Support:
Phone: 421 33 790 2910
Japan Customer Focus Center
Phone: 81-3-5773-3850

ON Semiconductor Website: www.onsemi.com
Order Literature: <http://www.onsemi.com/orderlit>
For additional information, please contact your local Sales Representative