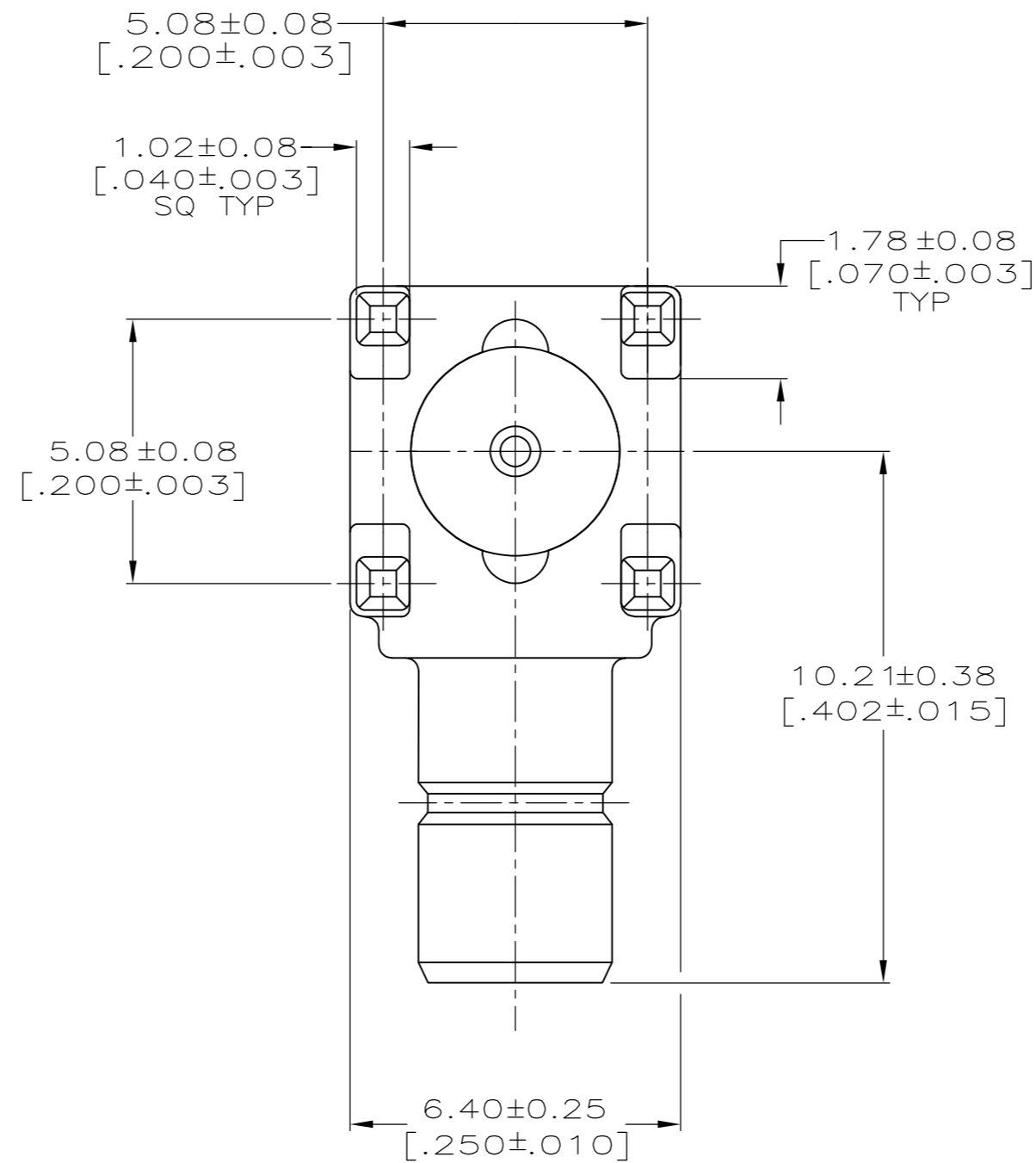
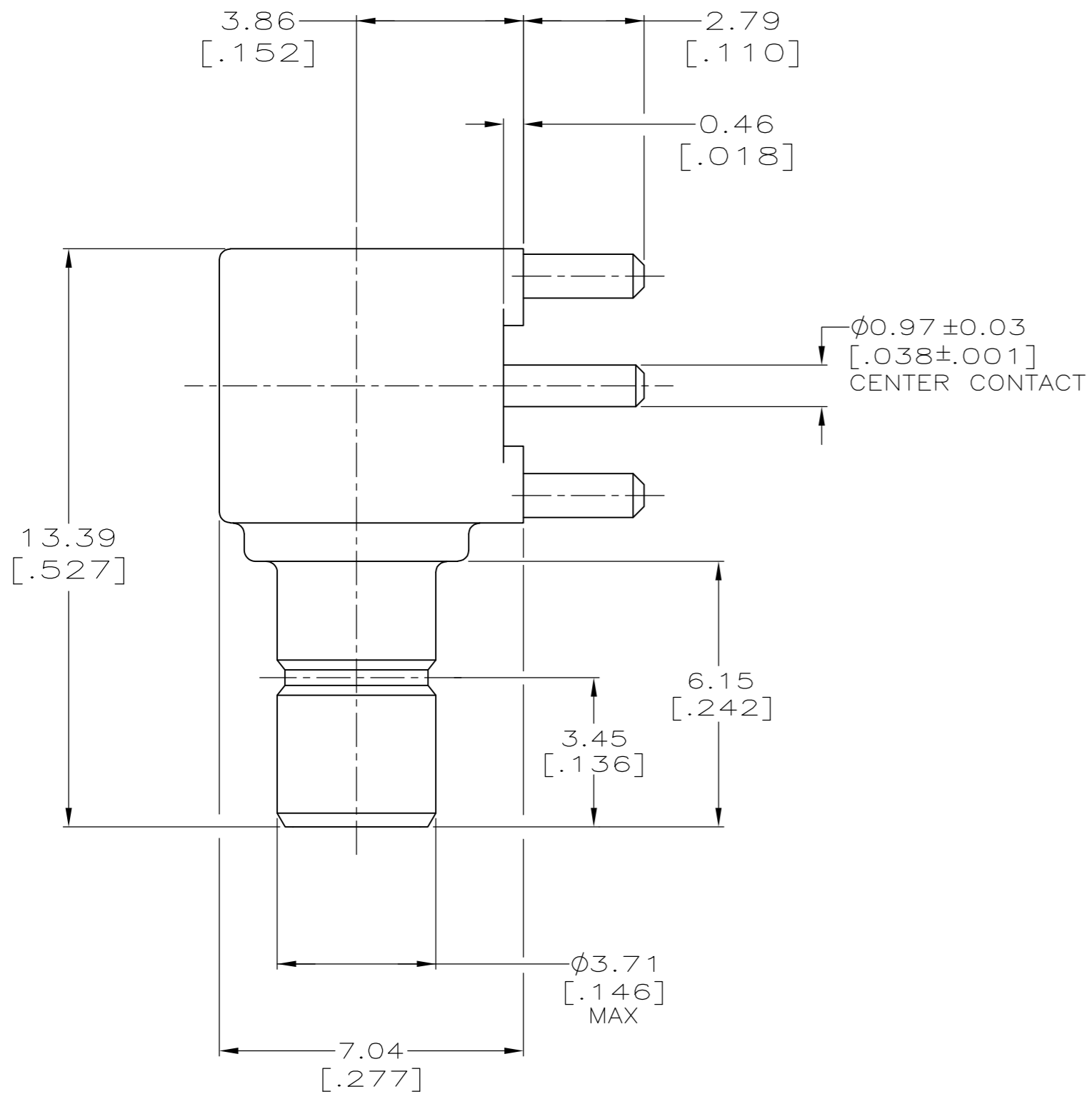
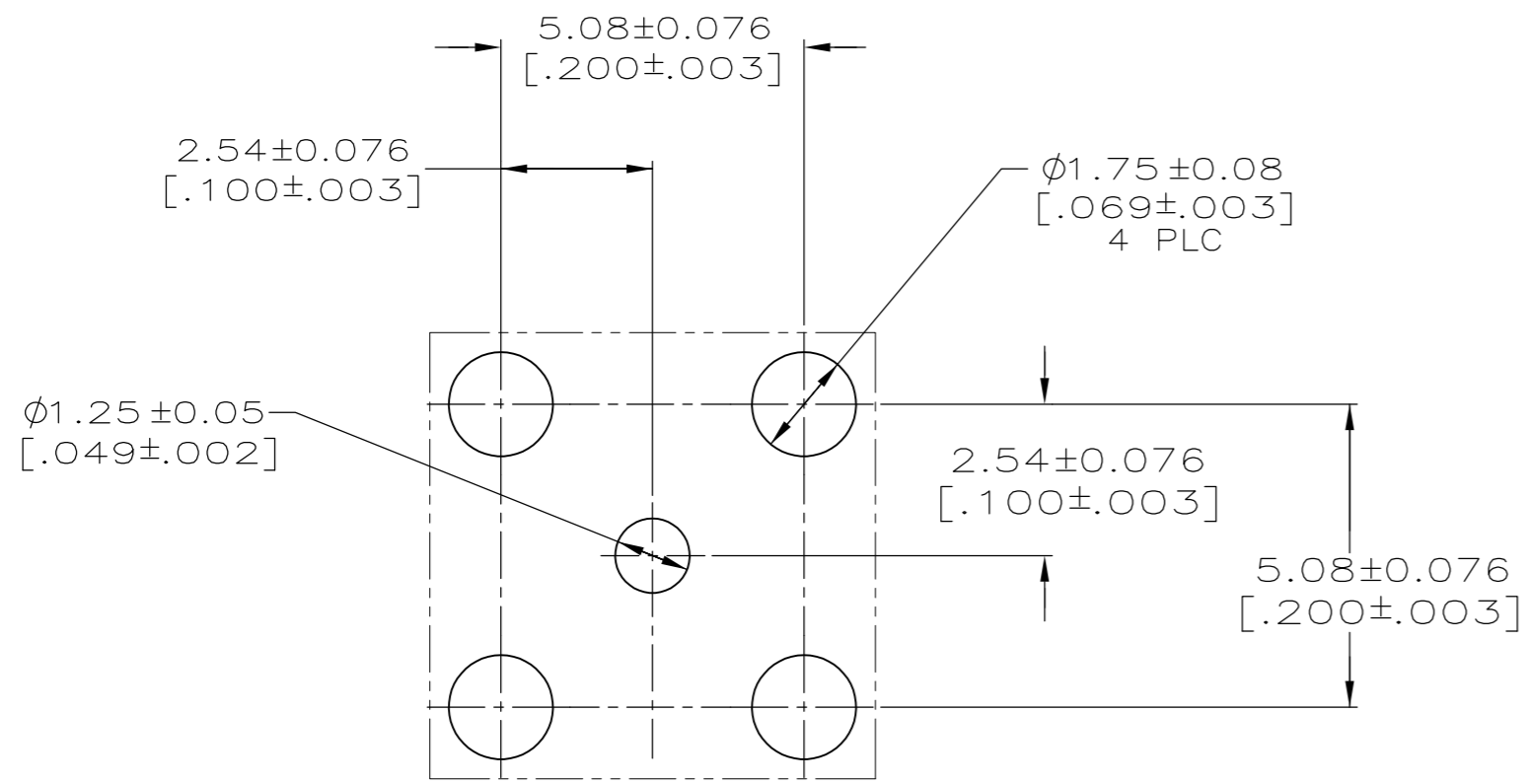


THIS DRAWING IS UNPUBLISHED. RELEASED FOR PUBLICATION  
 © COPYRIGHT - By - ALL RIGHTS RESERVED.

LOC		DIST		REVISIONS			
P	LTR	DESCRIPTION	DATE	DWN	APVD		
AJ	31						
	A2	ECO-12-018212	29OCT2012	GG	MY		



- ⚠ MATERIALS:  
 BODY...ZINC ALLOY (ACUZINC)  
 CENTER CONTACT...BRASS PER QQ-B-626  
 DIELECTRICS...PTFE PER ASTM-D1710
- ⚠ FINISH:  
 CENTER CONTACT...GOLD PLATE PER MIL-G-45204  
 BODY...GOLD PLATE PER MIL-G-45204.
- 3. INTERFACE PER MIL-C-39012



RECOMMENDED PCB CONFIGURATION

415340-1  
 PART NUMBER

THIS DRAWING IS A CONTROLLED DOCUMENT.		DWN 02/FEB/96 S. BURKHOLDER		
DIMENSIONS: mm [INCHES]		CHK 4-1-96 B. MOYER		
TOLERANCES UNLESS OTHERWISE SPECIFIED:		APVD 4-1-96 J. CABARLO	NAME JACK, RIGHT ANGLE, PCB, SMB	
0 PLC ± -	1 PLC ± -	PRODUCT SPEC	SIZE	CAGE CODE
2 PLC ± 0.13 [.005]	3 PLC ± -	APPLICATION SPEC	A2	00779
4 PLC ± -	ANGLES ± -	WEIGHT	SCALE	DRAWING NO
MATERIAL	FINISH	CUSTOMER DRAWING	8:1	C=415340
⚠	⚠		SHEET	RESTRICTED TO
			1 of 1	-
			REV	A2