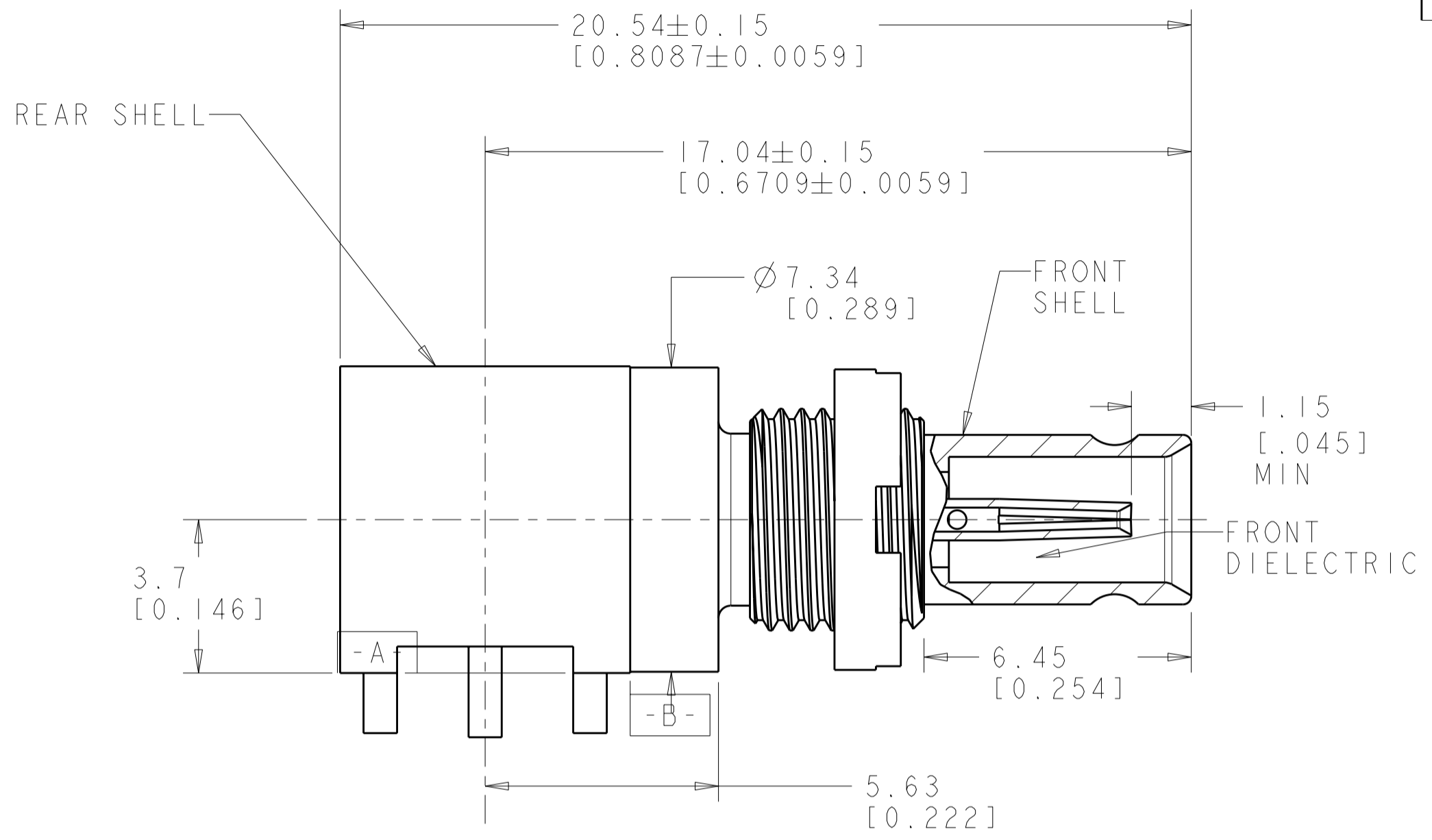
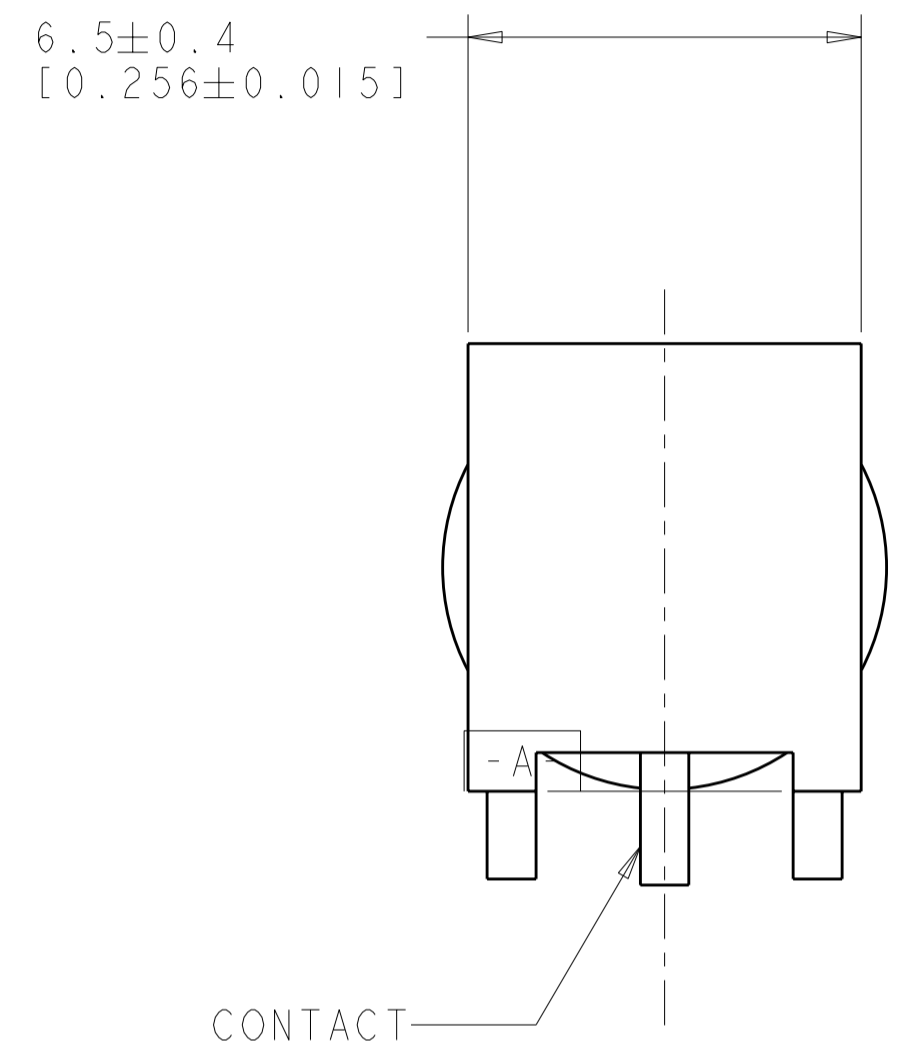
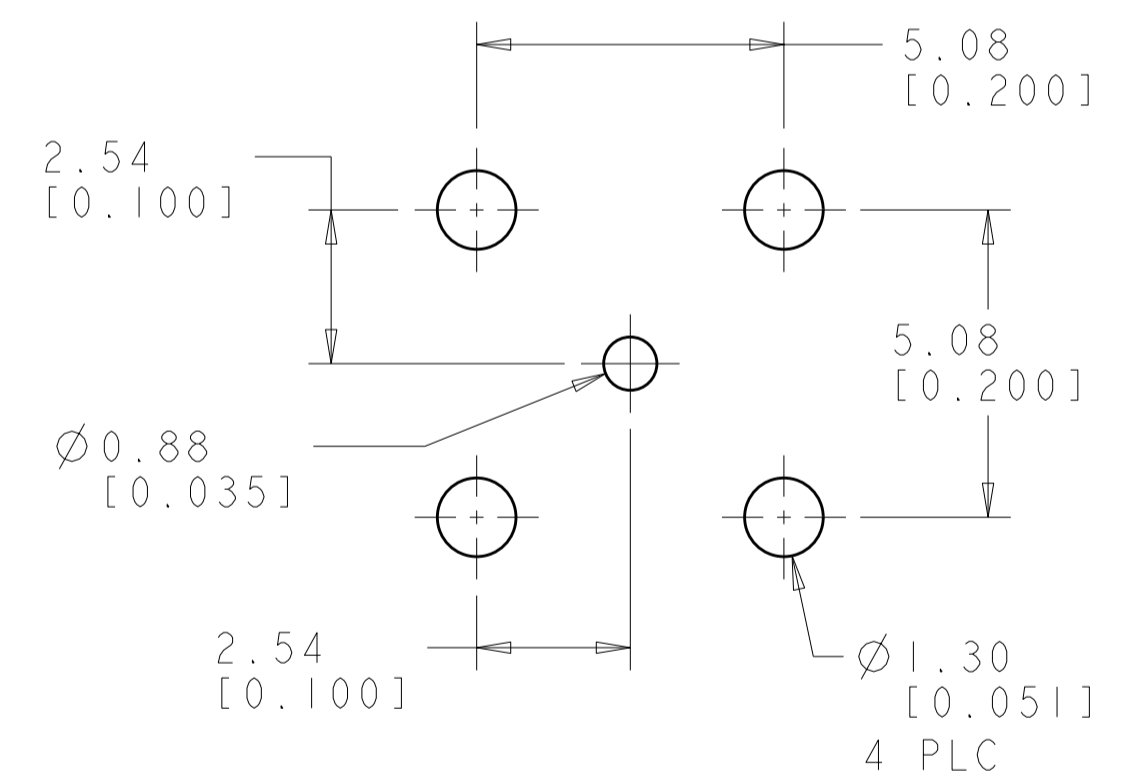
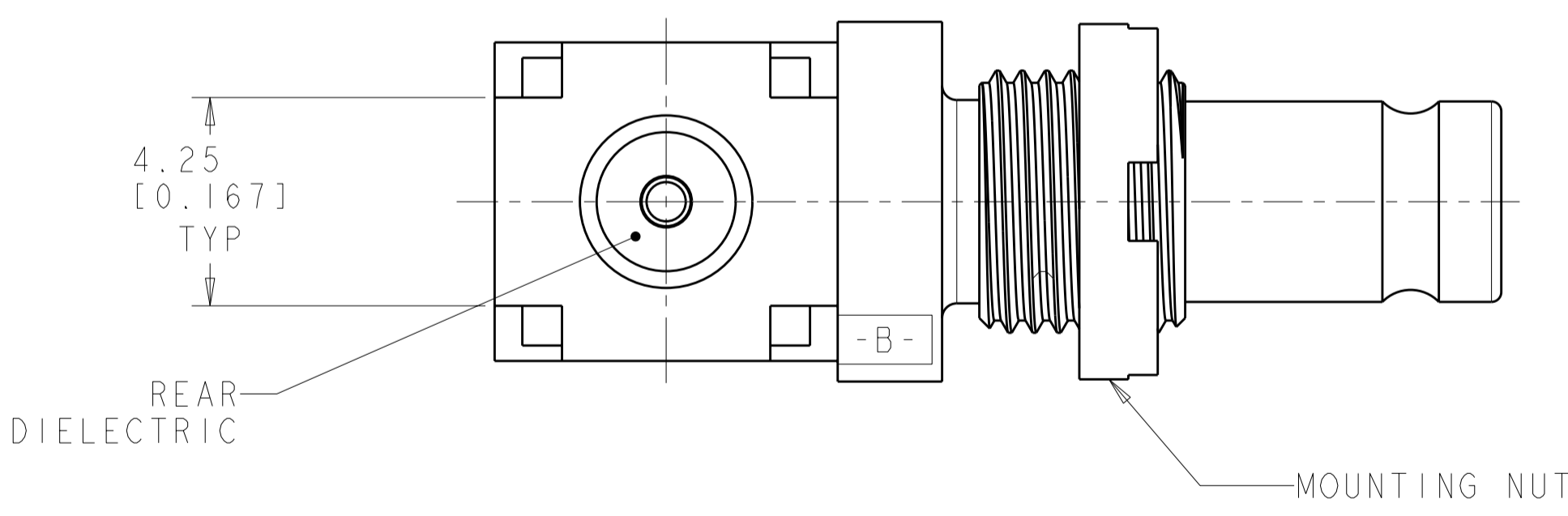


THIS DRAWING IS UNPUBLISHED. RELEASED FOR PUBLICATION 20  
 © COPYRIGHT 20 BY TYCO ELECTRONICS CORPORATION. ALL RIGHTS RESERVED.

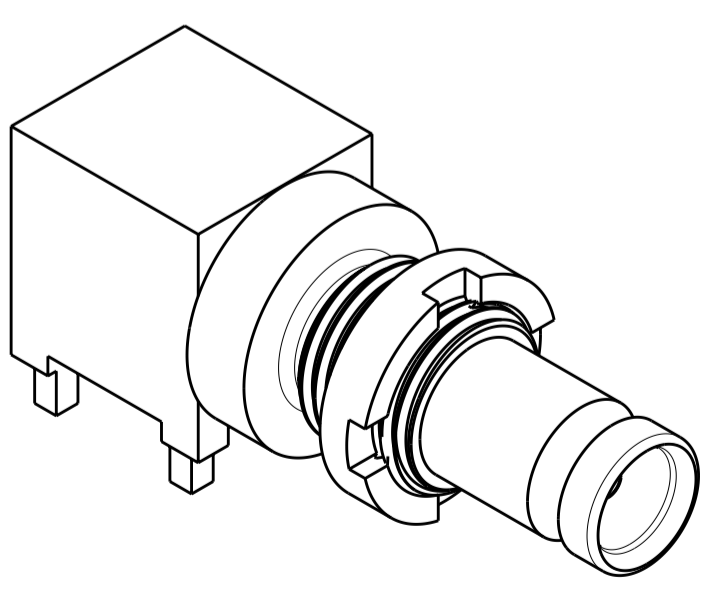
LOC	DIST	REVISIONS			
P	LTR	DESCRIPTION	DATE	DWN	APVD
AJ	16	C	REVISED EPR ECO-10-021849	26NOV2010	HMR FB



- 1 MATERIALS:  
SHELLS, MOUNTING NUT: BRASS PER ASTM B 16  
DIELECTRICS: PTFE PER ASTM D 1710  
CONTACT: PHOSPHOR BRONZE PER ASTM B 139
- 2 FINISHES:  
FRONT SHELL, CONTACT: GOLD PLATE PER ASTM B 488  
REAR SHELL: TIN PLATE PER ASTM B 545  
MOUNTING NUT: NICKEL PLATE PER QQ-N-290
- 3. INTERFACE CONFORMS TO IEC 60169-29 AND CECC 22 230.
- 4. THIS PRODUCT HAS NOT COMPLETED VALIDATION TESTING.
- 5 WITHOUT MOUNTING NUT



PCB LAYOUT (DIMS ARE ±0.08 [.003])



SCALE 5:1

5	1274544-2
	1274544-1
	PART NUMBER

THIS DRAWING IS A CONTROLLED DOCUMENT FOR TYCO ELECTRONICS CORPORATION. IT IS SUBJECT TO CHANGE AND THE CONTROLLING ENGINEERING ORGANIZATION SHOULD BE CONTACTED FOR THE LATEST REVISION.		DWN	J. HAVENER	25AUG2003	Tyco Electronics Harrisburg, PA 17105-3608
DIMENSIONS: mm [INCHES]		CHK	J. HAVENER	05NOV2003	
TOLERANCES UNLESS OTHERWISE SPECIFIED: 0 PLC ±- 1 PLC ±0.2 [.008] 2 PLC ±0.05 [.002] 3 PLC ±- 4 PLC ±- ANGLES ±1.0 FINISH		APVD	J. HAVENER	05NOV2003	
MATERIAL SEE TABLE		PRODUCT SPEC	NAME JACK, RIGHT ANGLE, PCB, BULKHEAD, SERIES 1.0/2.3		
SEE TABLE		APPLICATION SPEC	SIZE A2		CAGE CODE 00779
		WEIGHT	DRAWING NO 1274544		RESTRICTED TO -
CUSTOMER DRAWING		SCALE 8:1		SHEET 1	OF 1
		REV C			