

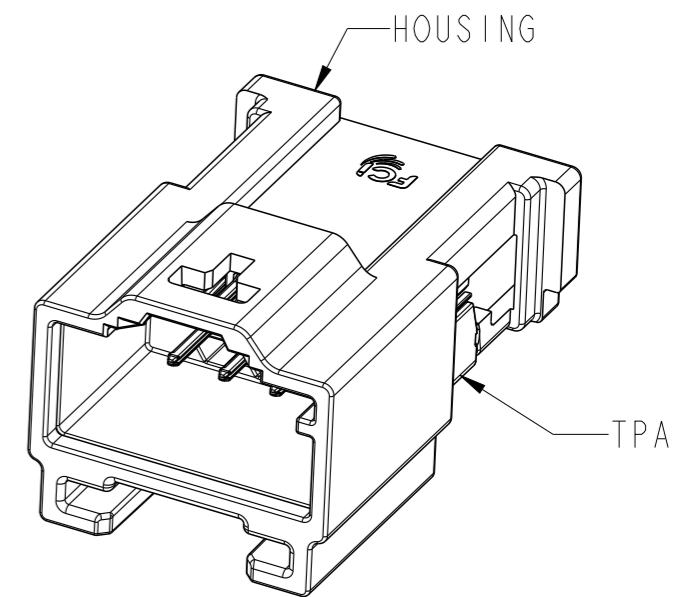
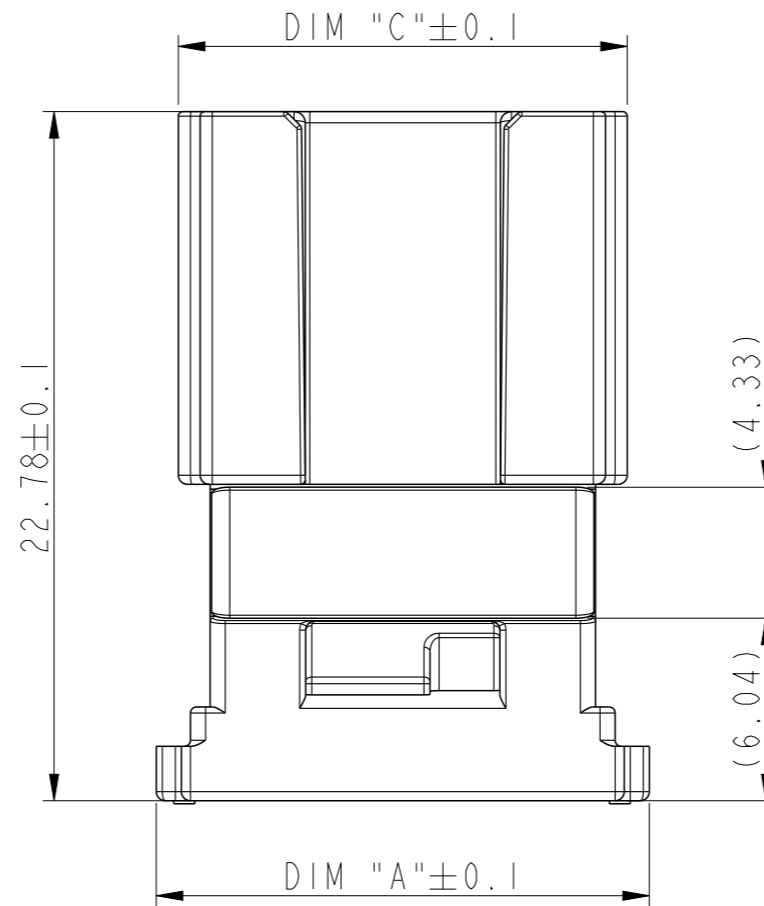
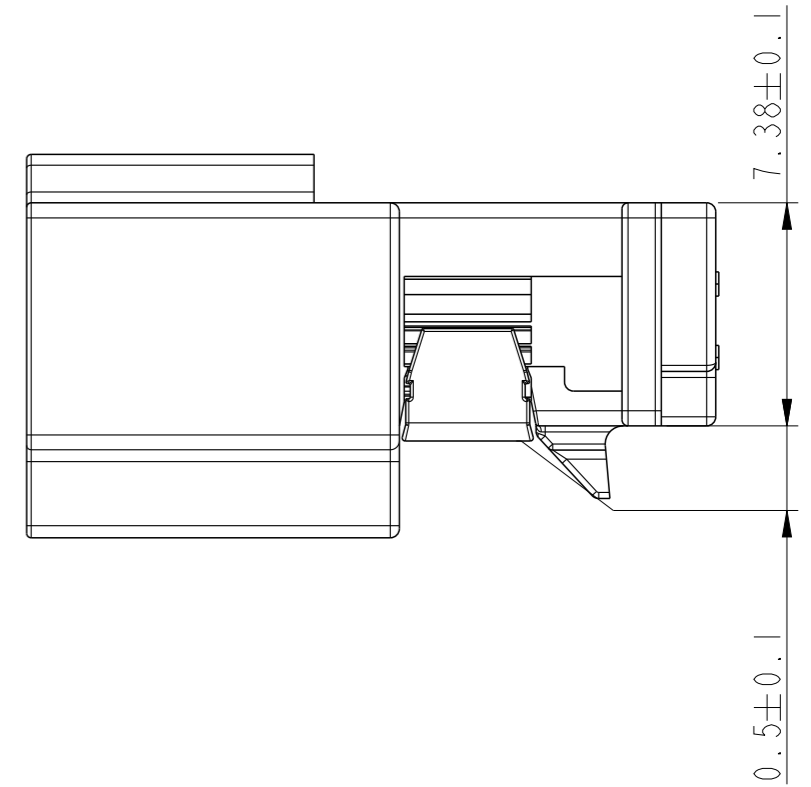
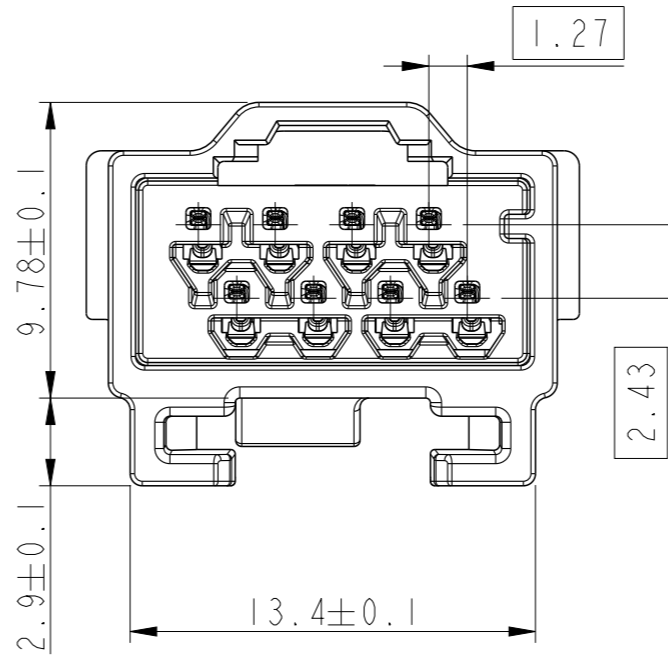
PRODUCT DESCRIPTION CODE :

1015520-A0XX LF

- RoHS COMPATIBLE
- FOR CUSTOMER CODE:  
BLANK = GENERAL USE
- NUMBER OF POSITIONS : 02 TO 16
- CODING TYPE :  
A = CODING A  
B = CODING B  
C = CODING C

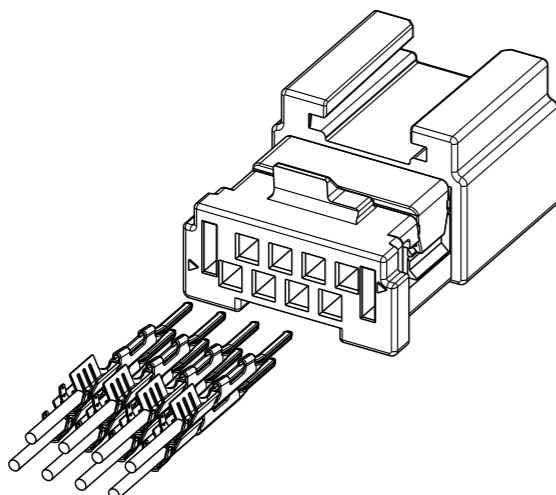
NOTES:

- 1 - MATERIAL:  
HIGH TEMPERATURE THERMOPLASTIC  
COLOR BLACK UL94 V-0
- 2 - FOR USE WITH MINITEK MicroSpaceXS CTW MALE PIN :  
AWG 22 TO AWG 28, SERIES 10155449
- 3 - TO BE MATED WITH MINITEK μSPACE RECEPTACLE SERIES  
10155504
- 4 - PRODUCT SPECIFICATION : GS-12-1634  
PACKAGING SPECIFICATION : GS-14-2777  
APPLICATION SPECIFICATION : GS-20-0657
- 5 - THE PRODUCT IS NOT INTENDED TO BE EXPOSED TO ANY  
SOLDER PROCESS.
- 6 - RoHS COMPATIBLE PRODUCT SPECIFICATIONS
  - a - LABELLING :  
MEETS PACKAGING SPECS AS PER GS-14-920
  - b - LEGAL STATEMENT :  
SEE GS-47-0004.

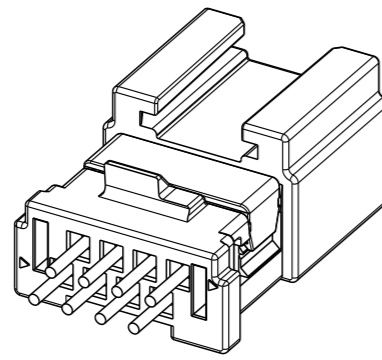


SCALE 3:1

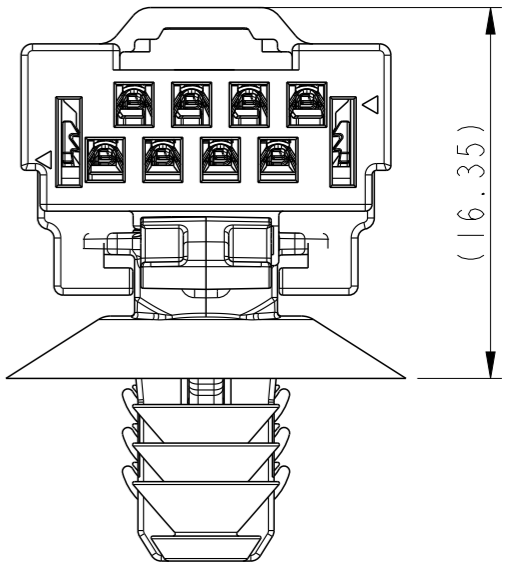
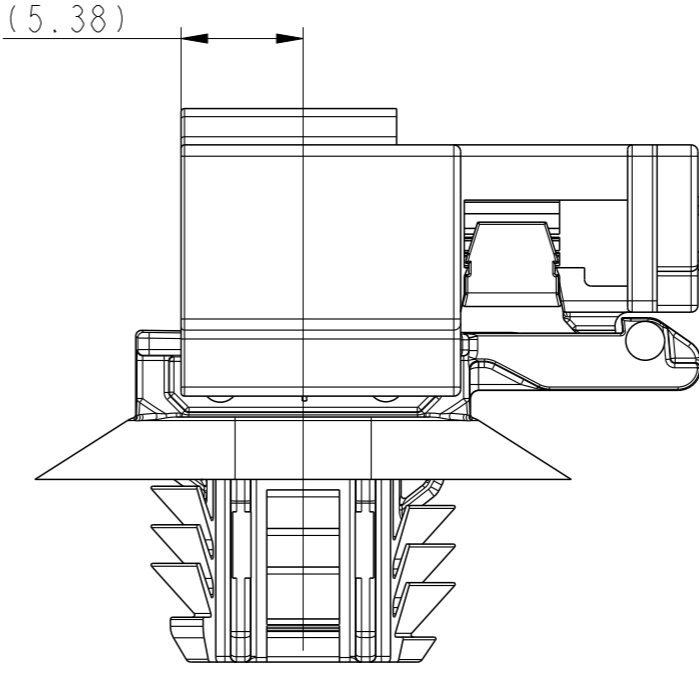
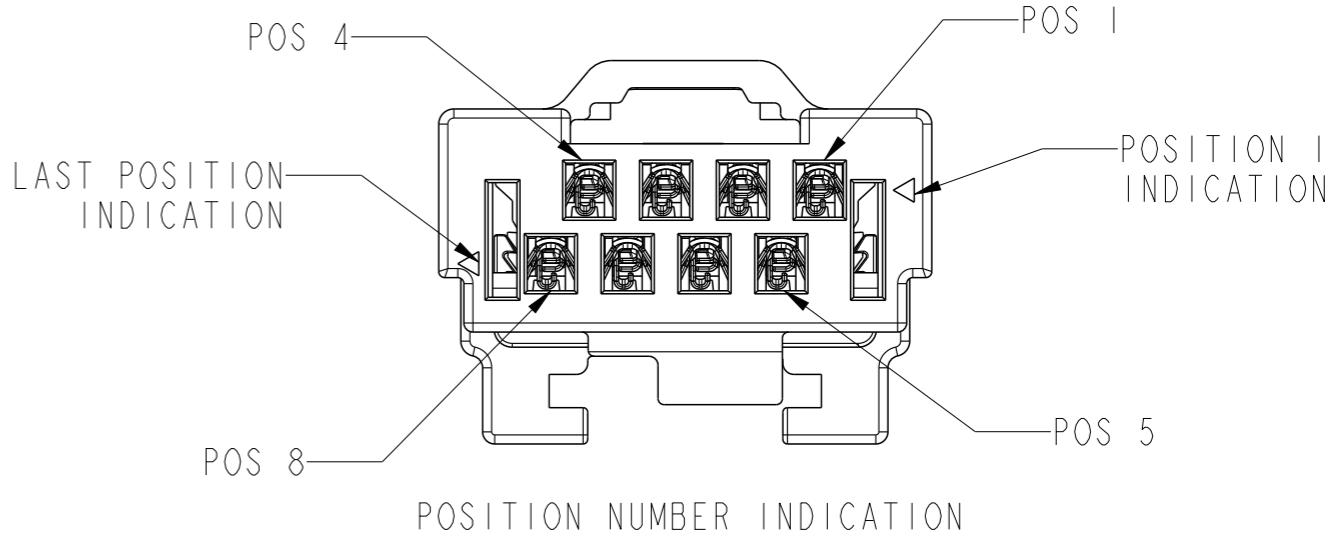
spec ref	GS-12-1634	dr	Soman-adm, Shi	2021/01/28	projection	mm	size	A3	scale	4:1
tolerance std	ISO 406 ISO 1101	eng	Canque, Vincen	2023/03/03			ecn no	rel level	Released	
TOLERANCES UNLESS OTHERWISE SPECIFIED		chr	-	-					product family	
surface	linear	0.X	±0.3	<b>Amphenol FCI</b>	title HEADER ASSEMBLY W+W MINITEK MicroSpaceXS			dwg no 1015520	rev B	
		0.XX	±0.10		cat. no.	Product - Customer Drw				sheet 1 of 4
	angular	0°	±2°							



PRE-LOAD CONFIGURATION FOR TERMINAL INSERTION



FINAL LOAD CONFIGURATION WITH INSERTED TERMINAL



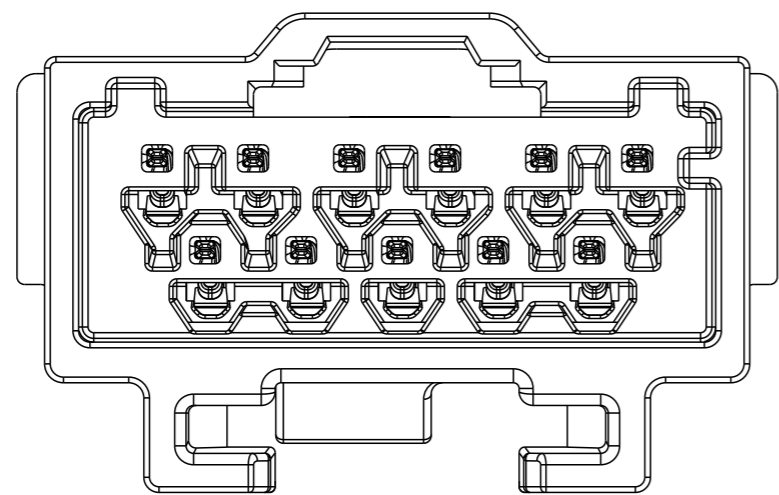
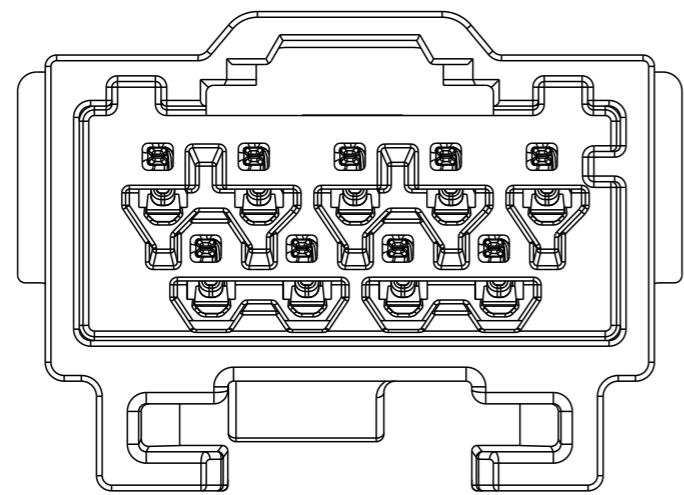
CLIP FROM HellermannTyton  
REFERENCE : 151-01033 or 151-02431

Amphenol  
FCi

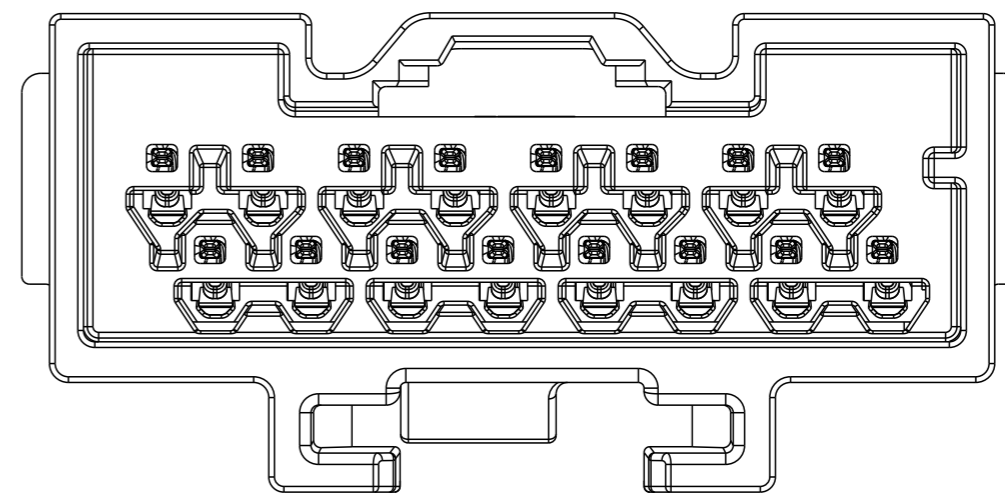
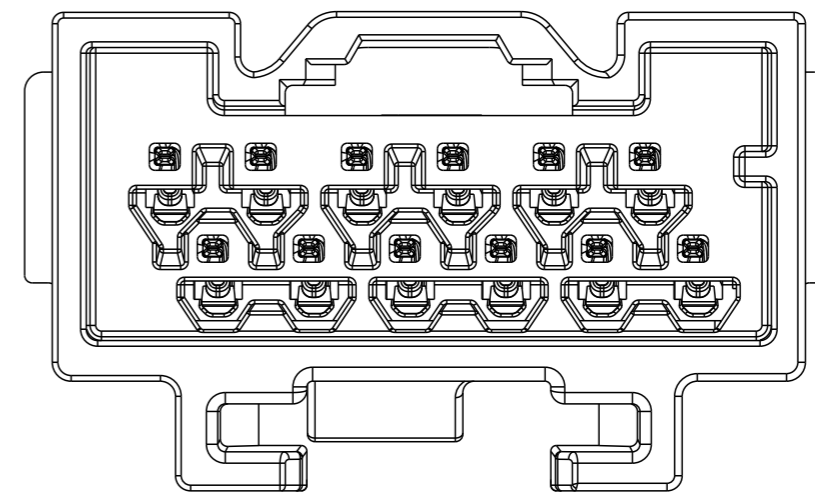
© 2020 Amphenol Corporation

spec ref	-	dr	Soman-adm, Shi	2021/01/28	projection	mm	size	A3	scale	4:1
tolerance std	ISO 406 ISO 1101	eng	Canque, Vincen	2023/03/03			ecn no		rel level	
TOLERANCES UNLESS OTHERWISE SPECIFIED		chr	-	-			Released			
surface	linear	appr	-	-	product family	dwg no	10155520		rev	B
ISO 1302	angular	Amphenol FCi		HEADER ASSEMBLY W+W MINITEK MicroSpaceXS		Product - Customer Drw		sheet 2 of 4		
	0.X ±0.3	cat. no.		Product - Customer Drw		sheet 2 of 4				
	0.XX ±0.10									
	0.XXX ±0.05									
	0° ±2°									

Creo File:ELX-WC-A3C.REV F.2020-12-21



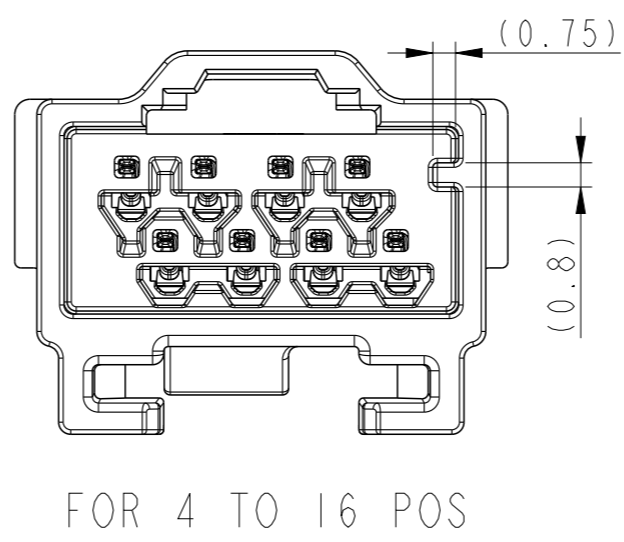
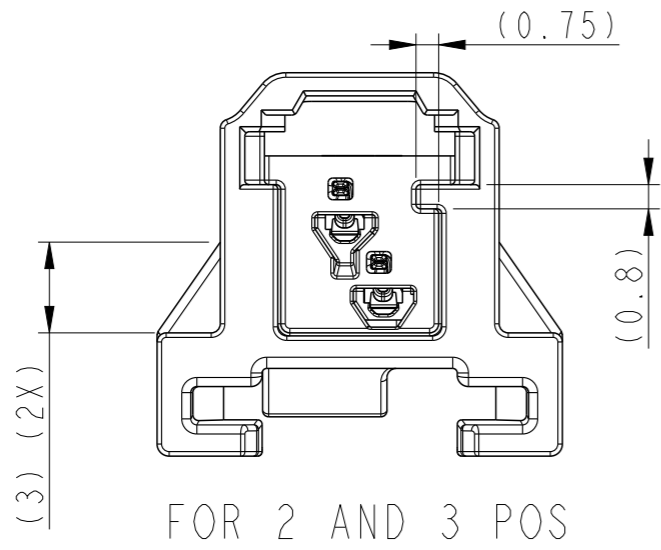
GROOVES ILLUSTRATION : FOR 9 TO 11-POS VERSION



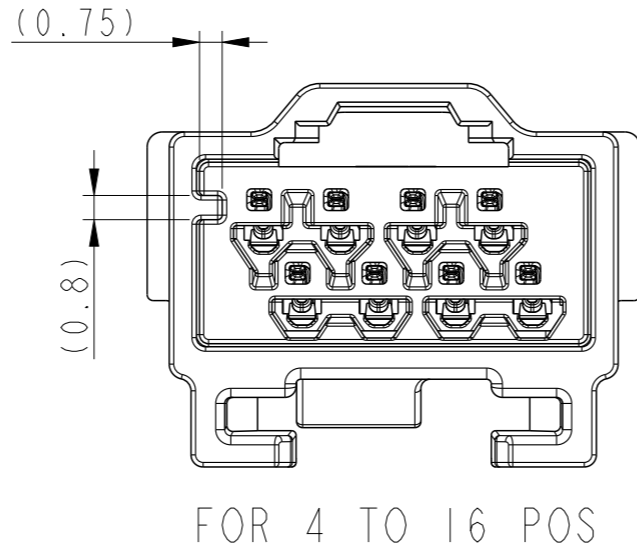
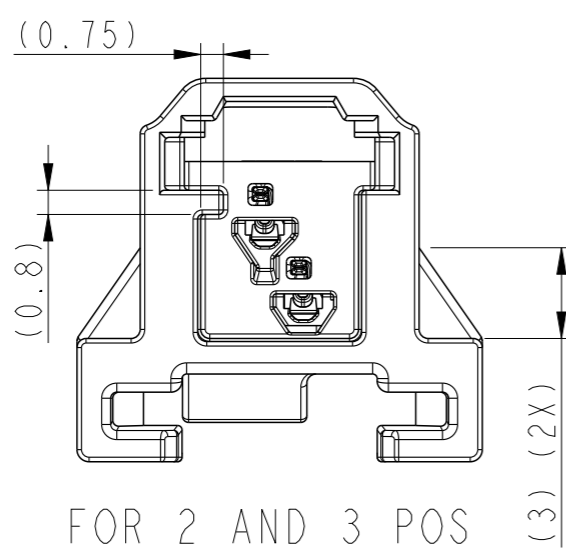
GROOVES ILLUSTRATION : FOR 12 TO 16-POS VERSION

spec ref		-		dr	Soman-adm, Shi	2021/01/28	projection 	mm ←→	size	A3	scale	5:1
tolerance std		TOLERANCES UNLESS OTHERWISE SPECIFIED		eng	Canque, Vincen	2023/03/03			ecn no			
ISO 406				chr	-	-	product family	rel level		Released		
ISO 1101				appr	-	-						
surface	linear	0.X	±0.3	Amphenol FCi	title			dwg no	10155520	rev	B	
		0.XX	±0.10		HEADER ASSEMBLY W+W							
0.XXX	±0.05	MINITEK MicroSpaceXS										
ISO 1302	angular	0°	±2°	amphenol-icc.com	cat. no.	Product - Customer Drw		sheet 3 of 4				

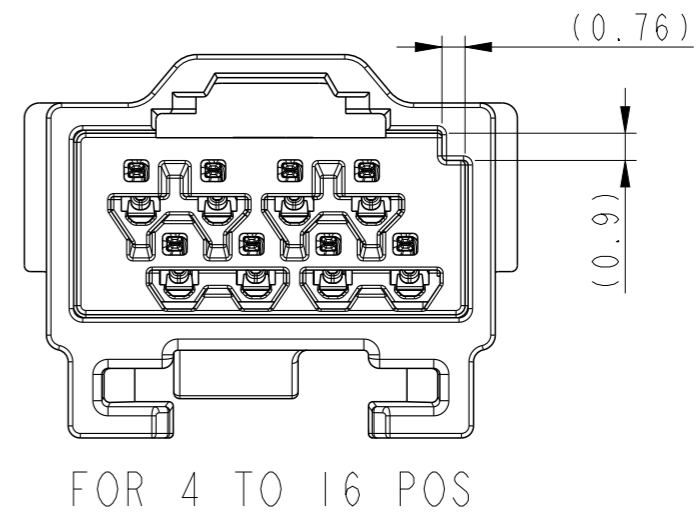
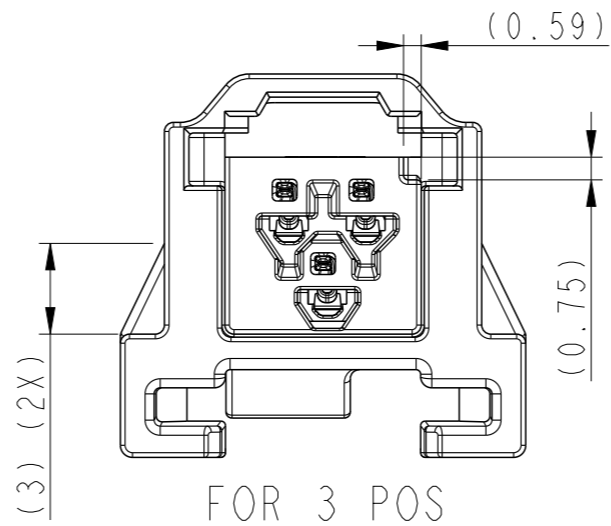
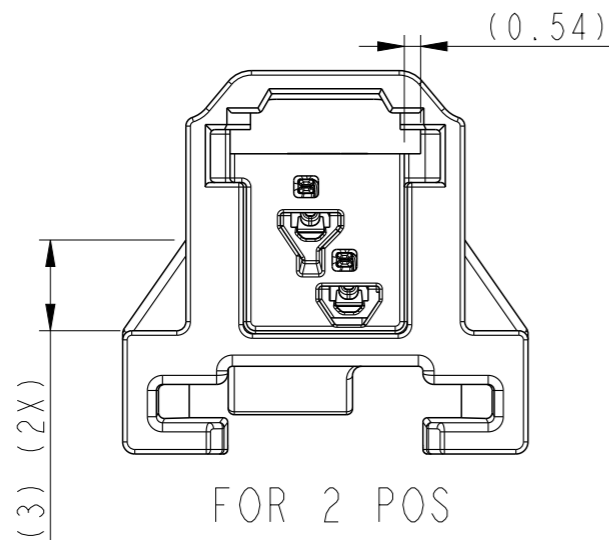
COD A VIEWS AND DIMENSIONS



COD B VIEWS AND DIMENSIONS



COD C VIEWS AND DIMENSIONS



PART NUMBER	AVAILABILITY	NO.OF POS	DIM "A"	DIM "C"
10155520-A002LF	ON DEMAND	02	08.68	09.22
10155520-A003LF	ON DEMAND	03	09.95	10.49
10155520-A004LF	TOOLED	04	11.22	09.76
10155520-A005LF	ON DEMAND	05	12.49	11.03
10155520-A006LF	ON DEMAND	06	13.76	12.30
10155520-A007LF	ON DEMAND	07	15.03	13.57
10155520-A008LF	ON DEMAND	08	16.30	14.84
10155520-A009LF	ON DEMAND	09	17.57	16.11
10155520-A010LF	ON DEMAND	10	18.84	17.38
10155520-A011LF	ON DEMAND	11	20.11	18.65
10155520-A012LF	ON DEMAND	12	21.38	19.92
10155520-A013LF	ON DEMAND	13	22.65	21.19
10155520-A014LF	ON DEMAND	14	23.62	22.46
10155520-A015LF	ON DEMAND	15	25.19	23.73
10155520-A016LF	ON DEMAND	16	26.46	25.00

spec ref	-	dr	Soman-adm, Shi	2021/01/28	projection	mm	size	A3	scale	4:1
tolerance std	ISO 406 ISO 1101	eng	Canque, Vincen	2023/03/03			ecn no		rel level	
TOLERANCES UNLESS OTHERWISE SPECIFIED		chr	-	-			Released			
surface	linear	0.X	±0.3		product family		dwg no		rev	
		0.XX	±0.10		MINITEK MicroSpaceXS		10155520		B	
	angular	0°	±2°		cat. no.		Product - Customer Drw		sheet 4 of 4	