

NOTES:

1. MATERIALS AND FINISHES:

- HEX NUT - BRASS, GOLD PLATING
- LOCK WASHER - BRASS, GOLD PLATING
- FERRULE - COPPER, GOLD PLATING
- SLEEVE - PTFE, NATURAL
- CONTACT PIN - BeCu, GOLD PLATING
- BODY - BRASS, GOLD PLATING
- INSULATOR - PTFE, NATURAL

2. ELECTRICAL:

- A. IMPEDANCE: 50 OHM
- B. FREQUENCY RANGE: 0-6 GHZ
- C. VSWR (RETURN LOSS): 1.2 MAX. (-20.8 dB)
- D. INSERTION LOSS: <0.3 dB TO <0.7 dB @ 0-3 GHz
- E. D.W.V: 1000 VRMS, MIN.

3. MECHANICAL:

- A. DURABILITY: 500 CYCLES MIN.
- B. TEMPERATURE RANGE: -65°C TO +165°C

4. CRIMPED FERRULE HEX CRIMP SIZE .213"

5. CONTACT PIN TO SOLDER

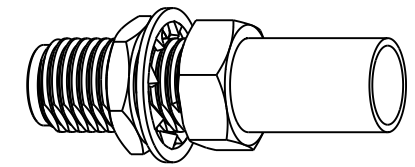
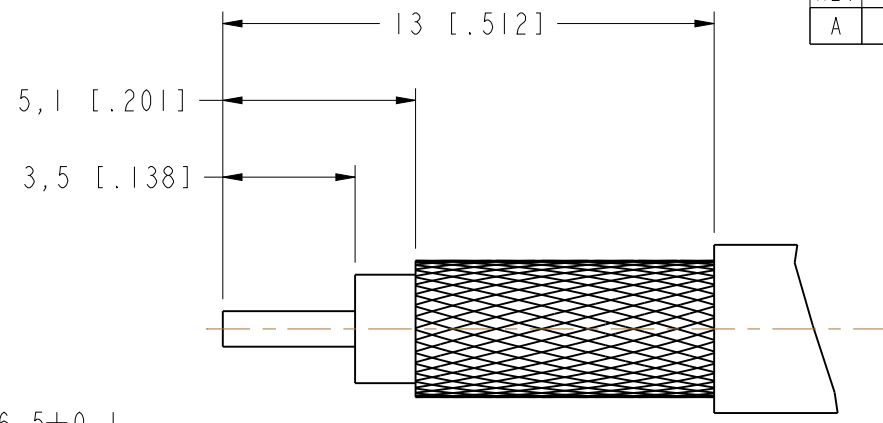
6. MAX. PANEL THICKNESS=3.2MM

SHOWS CABLE ENTRY DIMENSIONS.

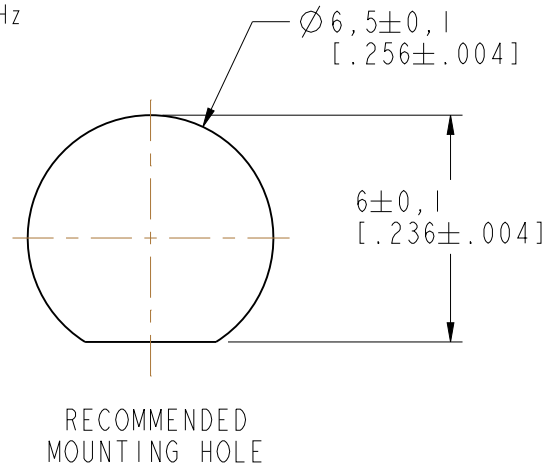
THIRD ANGLE PROJ.

REVISIONS

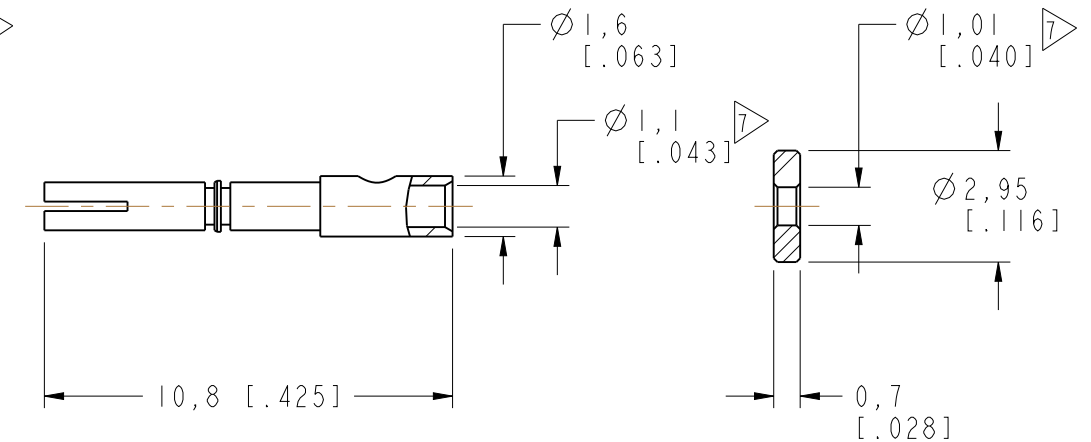
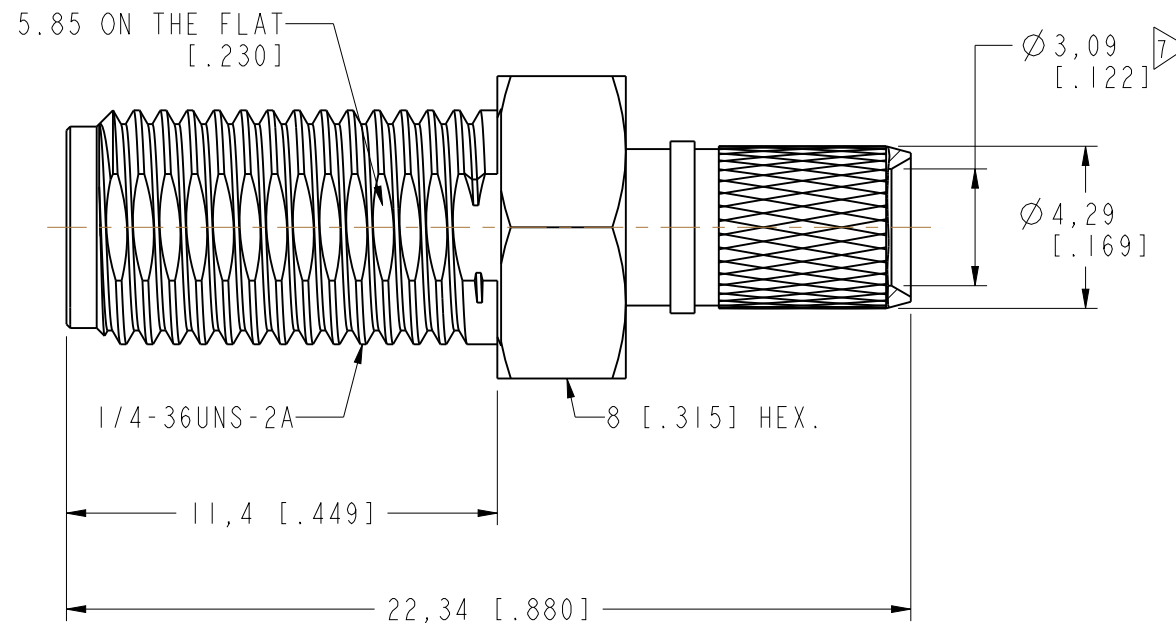
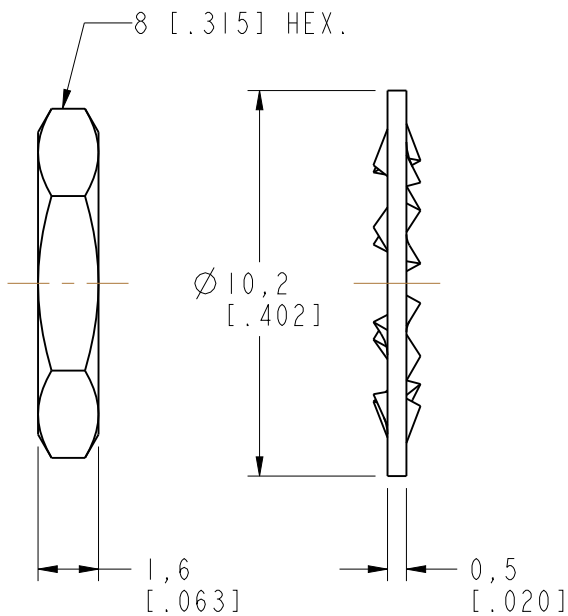
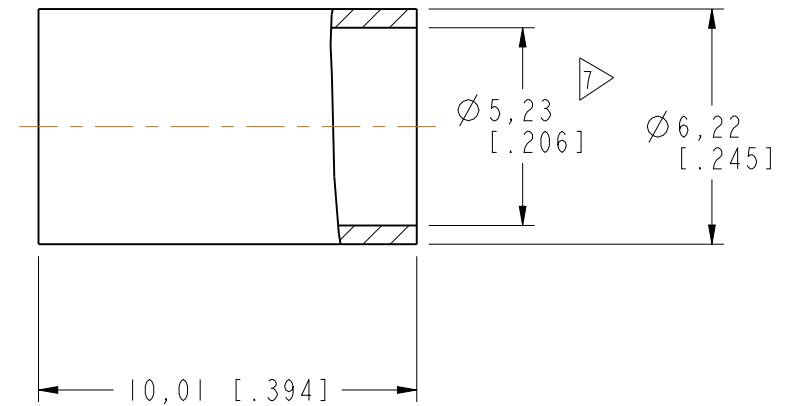
REV	DESCRIPTION	DATE	ECO	APPR
A	RELEASE TO MFG.	27-Mar-15	2888	BCG



SCALE 2.000



RECOMMENDED CABLE STRIPPING DIM'S



CUSTOMER OUTLINE DRAWING
ALL OTHER SHEETS ARE FOR INTERNAL USE ONLY

UNLESS OTHERWISE SPECIFIED, DIMENSIONS ARE IN METRIC AND TOLERANCES ARE:
 <0.5mm ± 0.05mm 0.5 - 6mm ± 0.1mm 6 - 30mm ± 0.2mm 30 - 120mm ± 0.3mm ANGLES ± 1°

NOTICE - These drawings, specifications, or other data (1) are, and remain the property of Amphenol corp. (2) must be returned upon request; and (3) are confidential and not to be disclosed to any person other than those to whom they are given by Amphenol Corp. the furnishing of these drawings, specifications, or other data by Amphenol Corp., or to any other person to anyone for any purpose is not to be regarded by implication or otherwise in any manner licensing, granting rights to permitting such holder or any other person to manufacture, use or sell any product, process or design, patented or otherwise, that may in any way be related to or disclosed by said drawings, specifications, or other data.

MATERIAL	DRAWN M. ZHANG	DATE 12-Dec-14	TITLE SMA BULKHEAD CRIMP JACK (FOR LMR/FBT-195 CABLE)	Amphenol Connex
REFERENCE EAR# 6467 SMA6411A1-3GT5GP-LMR195-50 CONFIGURATION LEVEL: In Work	ENGINEER B.C. GLEISSNER	DATE 12-Dec-14	SCALE: 5.0:1.0 SHEET 3 OF 3	
FINISH	APPROVED B.C. GLEISSNER	DATE 27-Mar-15	DWG SIZE B	DRAWING NO.
	CAD FILE		REV A	ITEM NO.
				PART NO. 132454