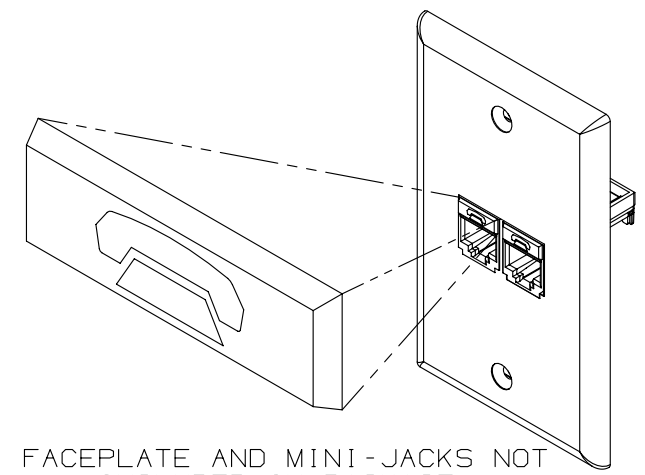
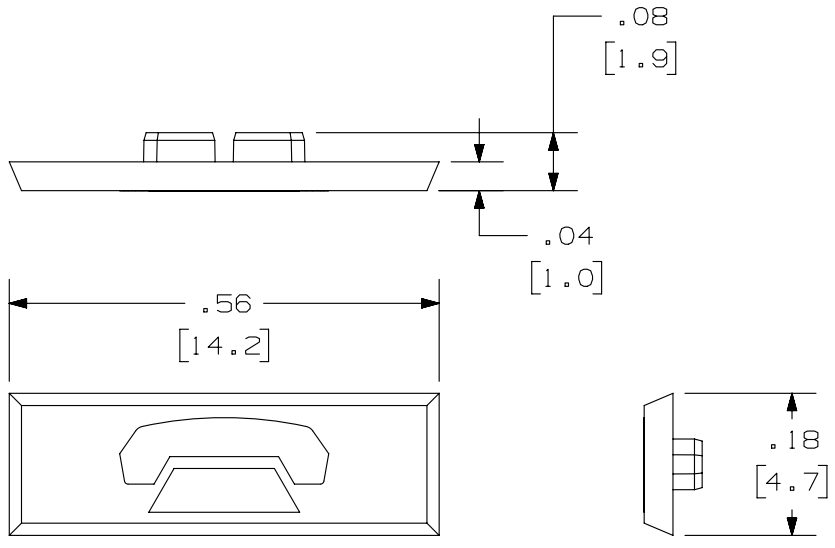


THIS COPY IS PROVIDED ON A RESTRICTED BASIS AND IS NOT TO BE USED IN ANY WAY DETRIMENTAL TO THE INTERESTS OF PANDUIT CORP.

PANDUIT P/N	WEIGHT
CIP**-C	.015 LB/100 PCS (7.0 g/100 PCS)

- **NOTES:
1. SEE CURRENT CATALOG FOR ADDITIONAL PART NUMBER SUFFIXES TO INDICATE COLOR AND OR PACKAGE QUANTITY.
 2. SEE CATALOG FOR COMPLETE LIST OF PARTS APPLICABLE FOR USE WITH THIS PART.
 3. DIMENSIONS IN [] ARE IN METRIC.



FACEPLATE AND MINI-JACKS NOT INCLUDED IN PACKAGE.

PART NUMBER		CIP**-C	
TITLE			
PAN-NET JACK ICON, PHONE			
CUSTOMER DRAWING			
ITEM REVISION NAME		M00633CD/02	
DATASET FILE NAME		M00633CD_DC/02A	
UNLESS OTHERWISE SPECIFIED, DIMENSIONAL TOLERANCES ARE: IN [mm]		MATERIAL:	
.x ± .xxx ± .010 [.3]		ABS	
.xx ± .03 [.8]		DRAWING NUMBER:	
ANGLES ±		00633-04	
THIRD ANGLE PROJECTION		SHT 1 OF 1	
DRAWN BY	DATE	CHK	SCALE
JSP	8-25-99	MECA	NONE
REV	DATE	BY	CHK
1	6/11/14	JSP	REFR
R	8-25-99	JSP	MECA
APR	DESCRIPTION	ECN	
	A. REVISED DRAWING TITLE BLOCK.	00633-04	
	RELEASED TO PRODUCTION	00633-04	

D10100DA/14