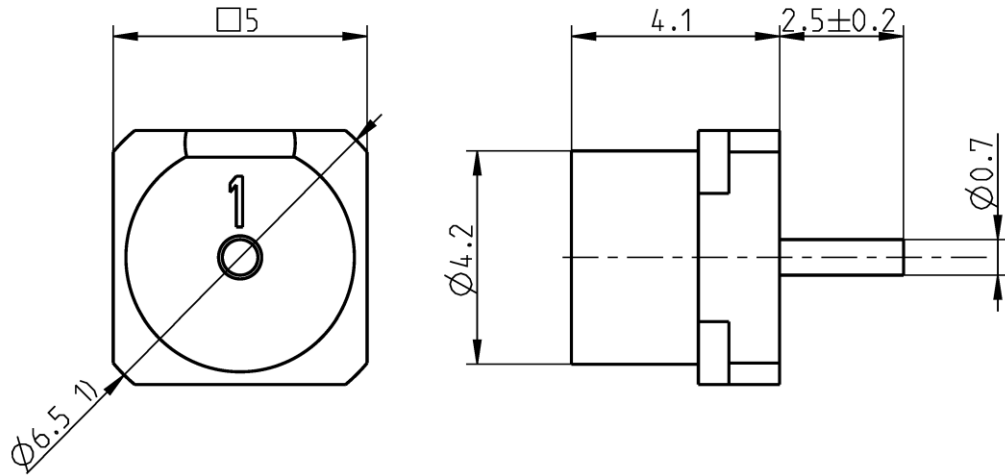


SMP

Straight Plug  
Limited Detent

**19S103-500L5**



1) Wahlweise Vierkant nicht ueberdreht  
*Optional square not overwound*

All dimensions are in mm; tolerances according to ISO 2768 m-H

**Interface**

According to MIL-STD-348

**Documents**

Foot print B 123

**Material and plating**

**Connector parts**

Center contact	Brass
Outer contact	Brass
Dielectric	PEEK

**Plating**

AuroDur®, gold plated  
AuroDur®, gold plated

Dieses Dokument ist urheberrechtlich geschützt • This document is protected by copyright • Rosenberger Hochfrequenztechnik GmbH & Co. KG

RF\_35/09.14/6.2

# Technical Data Sheet

# Rosenberger

SMP

Straight Plug  
Limited Detent

19S103-500L5

## Electrical data

Impedance	50 Ω
Frequency	DC to 26.5 GHz
Return loss	≥ 26 dB, DC to 2 GHz ≥ 20 dB, 2 to 6 GHz
Insertion loss	≤ 0.05 x √f(GHz) dB, DC to 6 GHz
Insulation resistance	≥ 5 GΩ
Center contact resistance	≤ 6.0 mΩ
Outer contact resistance	≤ 2.0 mΩ
Test voltage	500 V rms
Working voltage	335 V rms
Contact Current	1.2A DC max.

- VSWR in application depends decisive on PCB layout -

## Mechanical data

Mating cycles	≥ 500
Center contact captivation	≥ 7 N
Engagement force	
- limited detent	45 N max.
Disengagement force	
- limited detent	9 N min.

## Environmental data

Temperature range	-65°C to +155°C
Thermal shock	MIL-STD-202, Method 107, Condition B
Vibration	MIL-STD-202, Method 204, Condition B
Shock	MIL-STD-202, Method 213, Condition A
Moisture resistance	MIL-STD-202, Method 106
RoHS	compliant

## Tooling

N/A

## Suitable cables

N/A

## Weight

Weight 0.3 g/pce

While the information has been carefully compiled to the best of our knowledge, nothing is intended as representation or warranty on our part and no statement herein shall be construed as recommendation to infringe existing patents. In the effort to improve our products, we reserve the right to make changes judged to be necessary.

For the installation of the electrotechnical equipment, particular electrotechnical expertise is required.



Draft	Date	Approved	Date
König A.	10.07.07	Chr. Janßen	27.10.20

Rev.	Engineering change number	Name	Date
e00	20-1927	S. Huber-Siegl	27.10.20

Rosenberger Hochfrequenztechnik GmbH & Co. KG  
P.O.Box 1260 D-84526 Tittmoning Germany  
[www.rosenberger.de](http://www.rosenberger.de)

Tel. : +49 8684 18-0  
Email : [info@rosenberger.de](mailto:info@rosenberger.de)

Page  
2 / 2