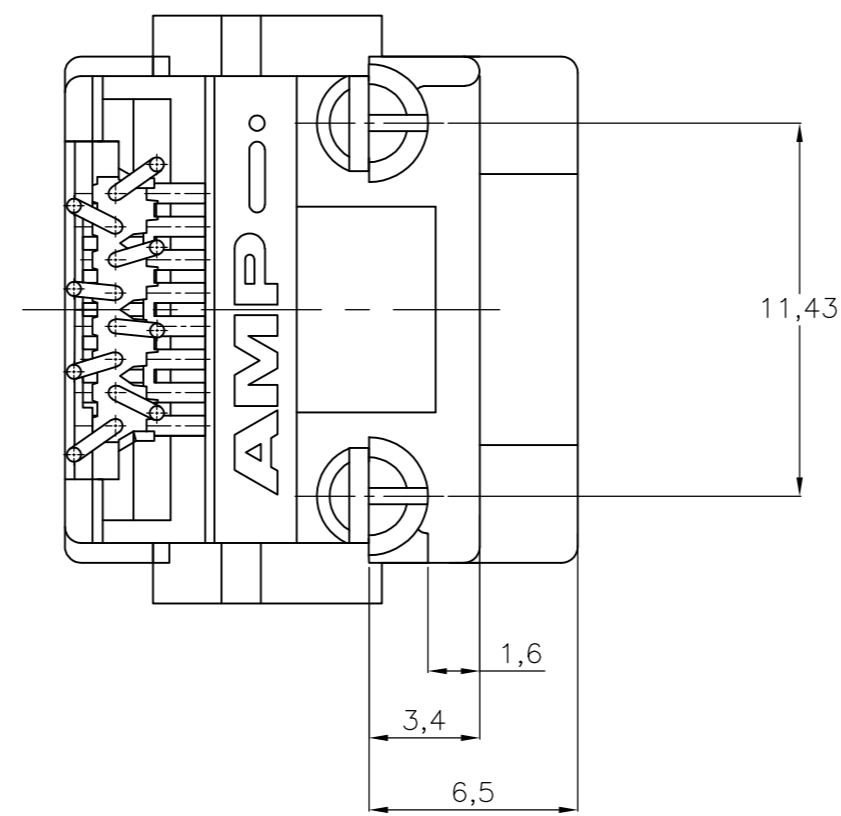
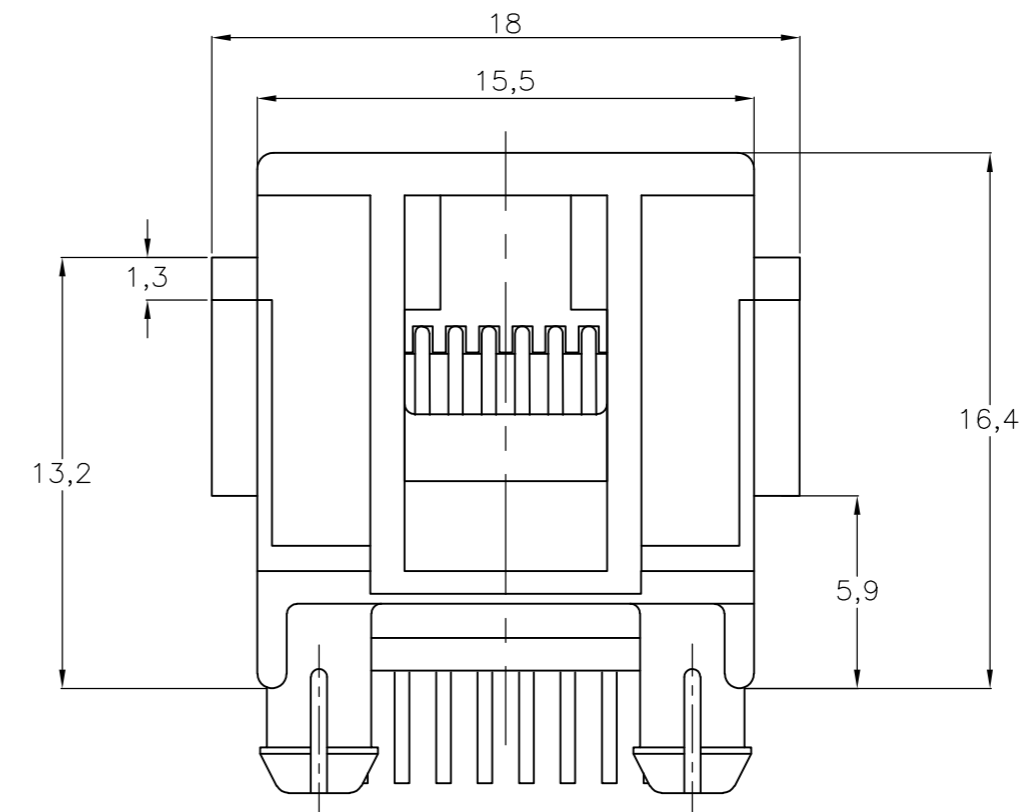
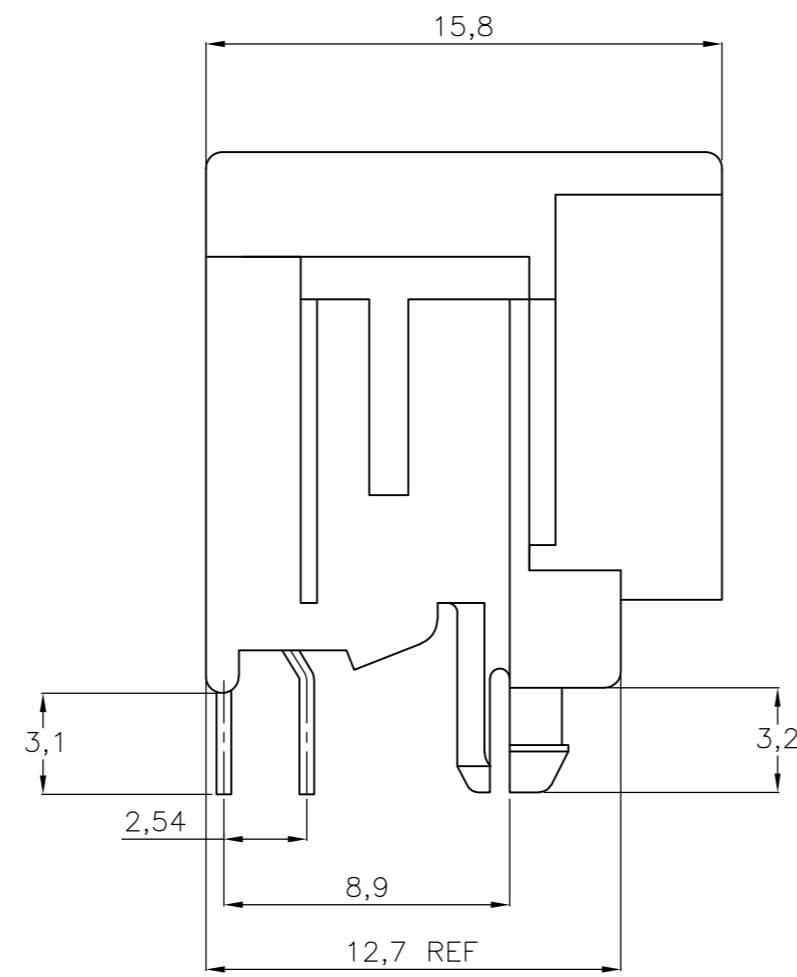
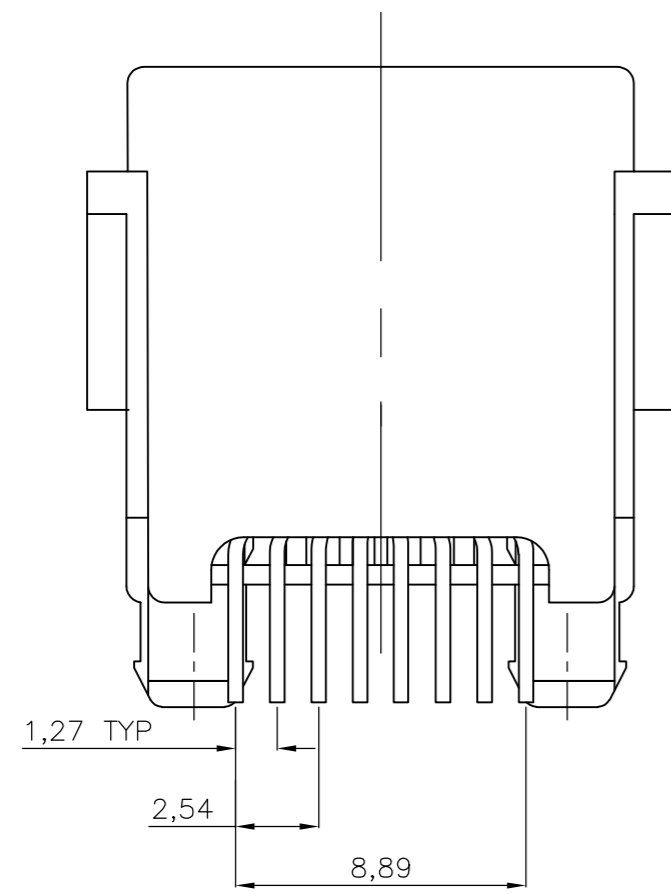
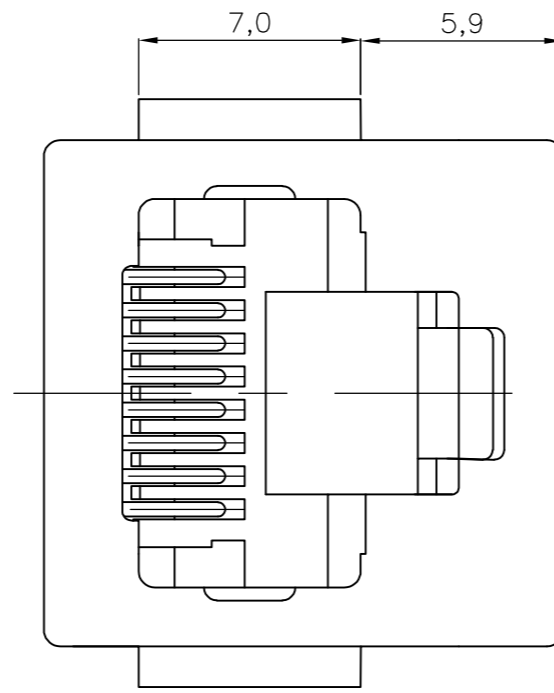


THIS DRAWING IS UNPUBLISHED. RELEASED FOR PUBLICATION
 © COPYRIGHT - By - ALL RIGHTS RESERVED.

LOC		DIST		REVISIONS			
P	LTR	DESCRIPTION	DATE	DWN	APVD		
	N2	ECR-11-025628	20DEC2011	PS	-		

NOTES:

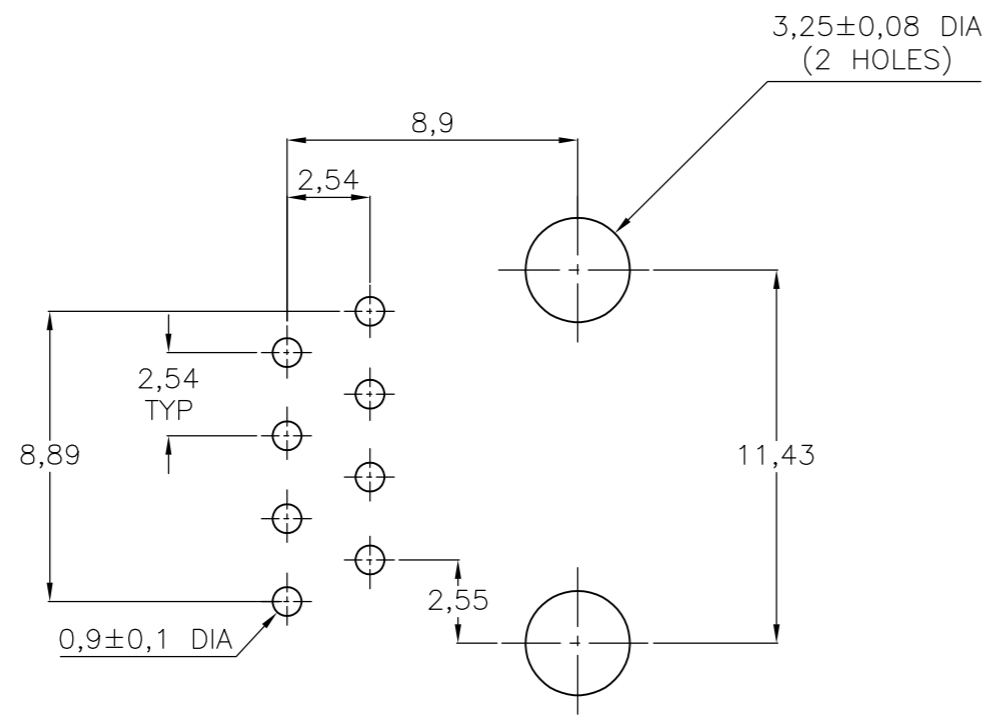
1. TOLERANCES UNLESS OTHERWISE SPECIFIED:±0,15
2. FOR APPLICATION INFORMATION SEE TE SPEC. 114-19019.
3. FOR PERFORMANCE REQUIREMENTS SEE TE SPEC. 108-19064



THIS DRAWING IS A CONTROLLED DOCUMENT.		DWN	P.BEIJNON	19JUN90	TE TE Connectivity		
DIMENSIONS: mm		CHK	C.A.STERKEN	-			
TOLERANCES UNLESS OTHERWISE SPECIFIED:		APVD	L.V.SOEST	-	NAME		
0 PLC ± -		PRODUCT SPEC	-	MODULAR JACK 8 POS.			
1 PLC ± -		APPLICATION SPEC	-	TOP ENTRY WITH PANEL STOPS			
2 PLC ± -		WEIGHT	-	SIZE	CAGE CODE	DRAWING NO	RESTRICTED TO
3 PLC ± -		FINISH	SEE SHEET 2	A2	00779	C=216566	-
4 PLC ± -		MATERIAL	SEE SHEET 2	CUSTOMER DRAWING			SCALE
ANGLES ± -				NTS	SHEET	1 OF 2	REV
							N2

THIS DRAWING IS UNPUBLISHED. RELEASED FOR PUBLICATION
 © COPYRIGHT - By - ALL RIGHTS RESERVED.

LOC	DIST	REVISIONS					
		P	LTR	DESCRIPTION	DATE	DWN	APVD
IR	-	-	-	SEE SHEET 1	-	-	-



PRINTED CIRCUIT BOARD LAYOUT
 [VIEW SHOWN IS CIRCUIT (NONCOMPONENT) SIDE OF BOARD.]
 TOLERANCES UNLESS OTHERWISE SPECIFIED: ±0,05
 PRINTED CIRCUIT BOARD THICKNESS: 1,6 mm NOMINAL.

PACKAGING	REMARKS	FINISH	MATERIAL	PARTNUMBER
OBSOLETE	180pcs. IN A TRAY 6 TRAYS IN A BOX	<u>IN CONTACT AREA:</u> 1,2µm MIN.SEL.GOLD OVER 1,2µm MIN.NICKEL	HOUSING: PBT,UL 94-HB COLOR: BLACK CONTACTS: PHOSPHOR BRONZE	216566-4
	600pcs. ON A 60cm. DIA. REEL.	<u>SOLDER TINES:</u> 2,0µm MIN. TIN OVER 1,2µm MIN. NICKEL	HOUSING: PBT,UL 94V-0 COLOR: BLACK CONTACTS: PHOSPHOR BRONZE	216566-2
	8 POSITIONS/ 8 CONTACTS.		HOUSING: PBT,UL 94-HB COLOR: BLACK CONTACTS: PHOSPHOR BRONZE	216566-1

THIS DRAWING IS A CONTROLLED DOCUMENT.		DWN	19JUN90	STE TE Connectivity
		CHK	P.BEIJNON	
		APVD	C.A.STERKEN	
		NAME	L.V.SOEST	
DIMENSIONS: mm		TOLERANCES UNLESS OTHERWISE SPECIFIED:		MODULAR JACK 8 POS. TOP ENTRY WITH PANEL STOPS PRINTED CIRCUIT BOARD
		0 PLC ± - 1 PLC ± - 2 PLC ± - 3 PLC ± - 4 PLC ± - ANGLES ± -		
MATERIAL SEE TABLE		FINISH SEE TABLE		SIZE
		WEIGHT -		A2
		CUSTOMER DRAWING		CAGE CODE
				00779
				DRAWING NO
				C=216566
				RESTRICTED TO
				-
				SCALE
				NTS
				SHEET
				2 of 2
				REV
				N2