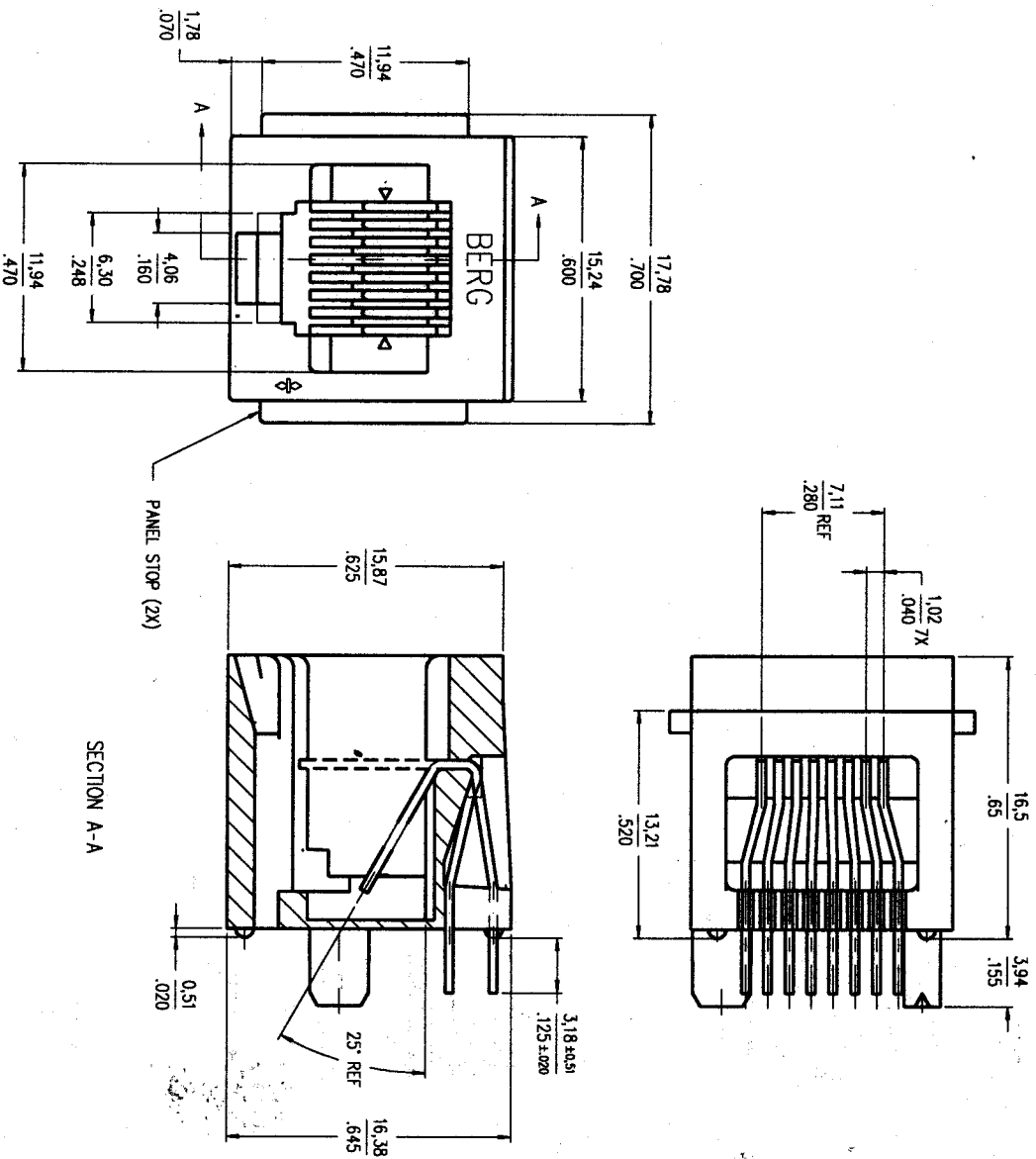
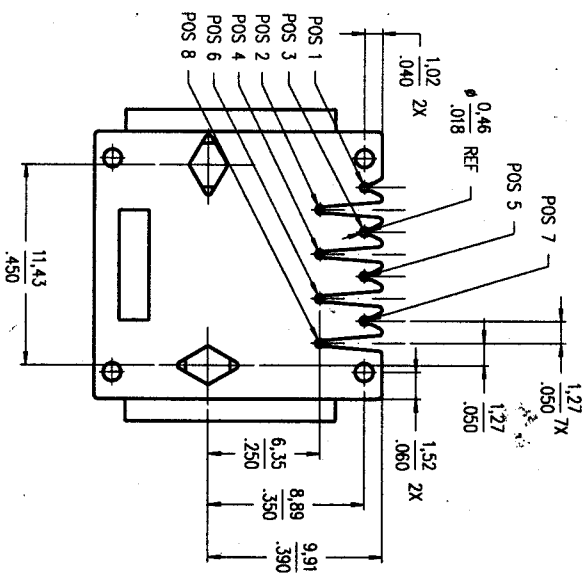


PRODUCT NO.  
SEE TABLE



SECTION A-A



form no. 7530-001-103

1

2

3

mod. code		date		description		revision	
M	88785	11/23/78	1	AS	INITIAL	11/23/78	1
L	88785	11/23/78	2	AS	INITIAL	11/23/78	2
K	88785	11/23/78	3	AS	INITIAL	11/23/78	3
J	88785	11/23/78	4	AS	INITIAL	11/23/78	4
I	88785	11/23/78	5	AS	INITIAL	11/23/78	5
H	88785	11/23/78	6	AS	INITIAL	11/23/78	6
G	88785	11/23/78	7	AS	INITIAL	11/23/78	7
F	88785	11/23/78	8	AS	INITIAL	11/23/78	8
E	88785	11/23/78	9	AS	INITIAL	11/23/78	9
D	88785	11/23/78	10	AS	INITIAL	11/23/78	10
C	88785	11/23/78	11	AS	INITIAL	11/23/78	11
B	88785	11/23/78	12	AS	INITIAL	11/23/78	12
A	88785	11/23/78	13	AS	INITIAL	11/23/78	13

Customer Copy

FCI ELECTRONICS

88785

1 of 2

PDM: Rev:M STATUS: Released Printed: Aug 01, 2010

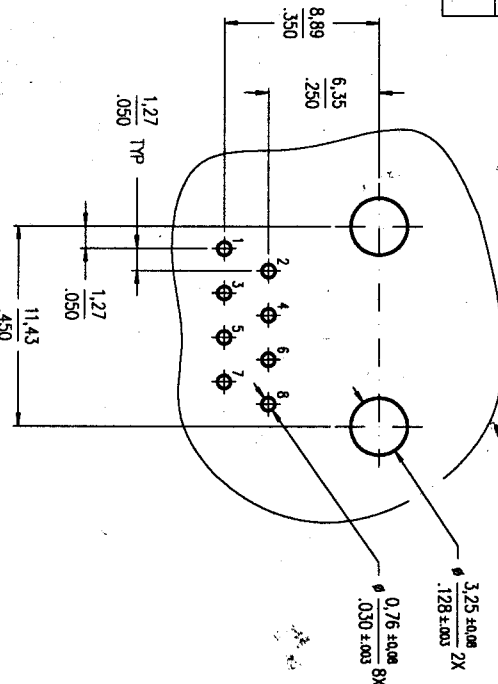
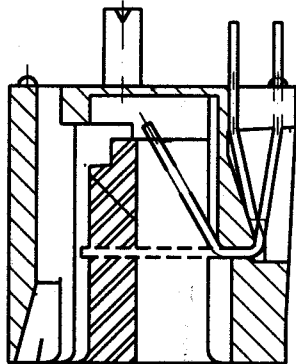
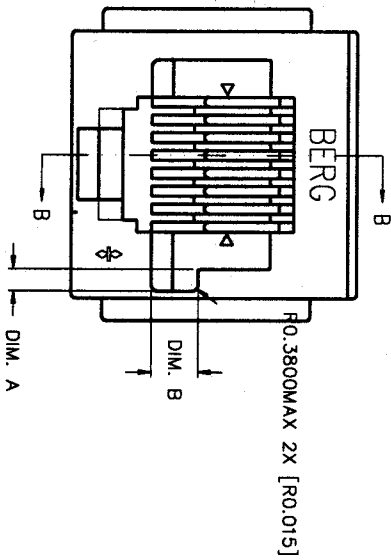


PRODUCT NO.	DIM. A	DIM. B	STYLE	POSITIONS LOADED	CONTACT PLATING	NOTES	COLOR	PANEL STOP
88785-001	-	-	UNKEYED	ALL	1,27um / 50u" Au	-	BLACK	YES
-001LF	-	-	UNKEYED	ALL	GXT	-	BLACK	YES
-002	-	-	UNKEYED	ALL	1,27um / 50u" Au	NOT TOOLED	BLACK	YES
-002LF	-	-	UNKEYED	ALL	GXT	-	BLACK	YES
-003	1,25 / .050	2,69 / .106	KEYED	ALL	1,27um / 50u" Au	NOT TOOLED	BLACK	YES
-003LF	1,25 / .050	2,69 / .106	KEYED	ALL	GXT	-	BLACK	YES
-004	1,25 / .050	2,69 / .106	KEYED	ALL	GXT	NOT TOOLED	BLACK	YES
-004LF	1,25 / .050	2,69 / .106	KEYED	ALL	GXT	-	BLACK	YES
-005P	-	-	UNKEYED	ALL	GXT	-	WHITE	YES
-005PLF	-	-	UNKEYED	ALL	GXT	-	WHITE	YES
-006P	-	-	UNKEYED	ALL	GXT	-	WHITE	NO
-006PLF	-	-	UNKEYED	ALL	GXT	-	WHITE	NO
-007	-	-	UNKEYED	ALL	GXT	-	BLACK	NO
-007LF	-	-	UNKEYED	ALL	GXT	-	BLACK	NO

LEAD FREE PRODUCT NO.

NOTE :

- SPECIAL PACKAGING: (BUS-14-271)
- GXT IS 0,76um / 30u" MIN GXT WITH Au FLASH OVER  
1,27um / 50u" MIN NI
- MATERIAL AND COLOUR DESCRIPTION,  
P/N WITH DASH 005P & 006P - POCAN B4235  
WHITE 01-028 (REF RAL 1013)
- THIS PRODUCT MEETS EUROPEAN UNION DIRECTIVES AND OTHER  
COUNTRY REGULATIONS AS DESCRIBED IN GS-22-008  
IF LF P/N PACKAGING MEETS GS-14-920 SPECIFICATION
- THE HOUSING WILL WITHSTAND EXPOSURE TO 260°C PEAK  
TEMPERATURE FOR 5 SECONDS IN A WAVE SOLDER APPLICATION  
WITH A 1,57mm MINIMUM THICK CIRCUIT BOARD



BOARD LAYOUT  
VIEWED FROM TOP

form no. 7500-001-103

2

3

PDM: Rev:M

STATUS: Released

PHILIPPO 2017.01.26

6

matl. code	ref. desig. no.	q'ty.	date	description	customer COPY



HIGH PROFILE 8 POS VERT.  
P.C.B. MOD JACK ASSY  
88785