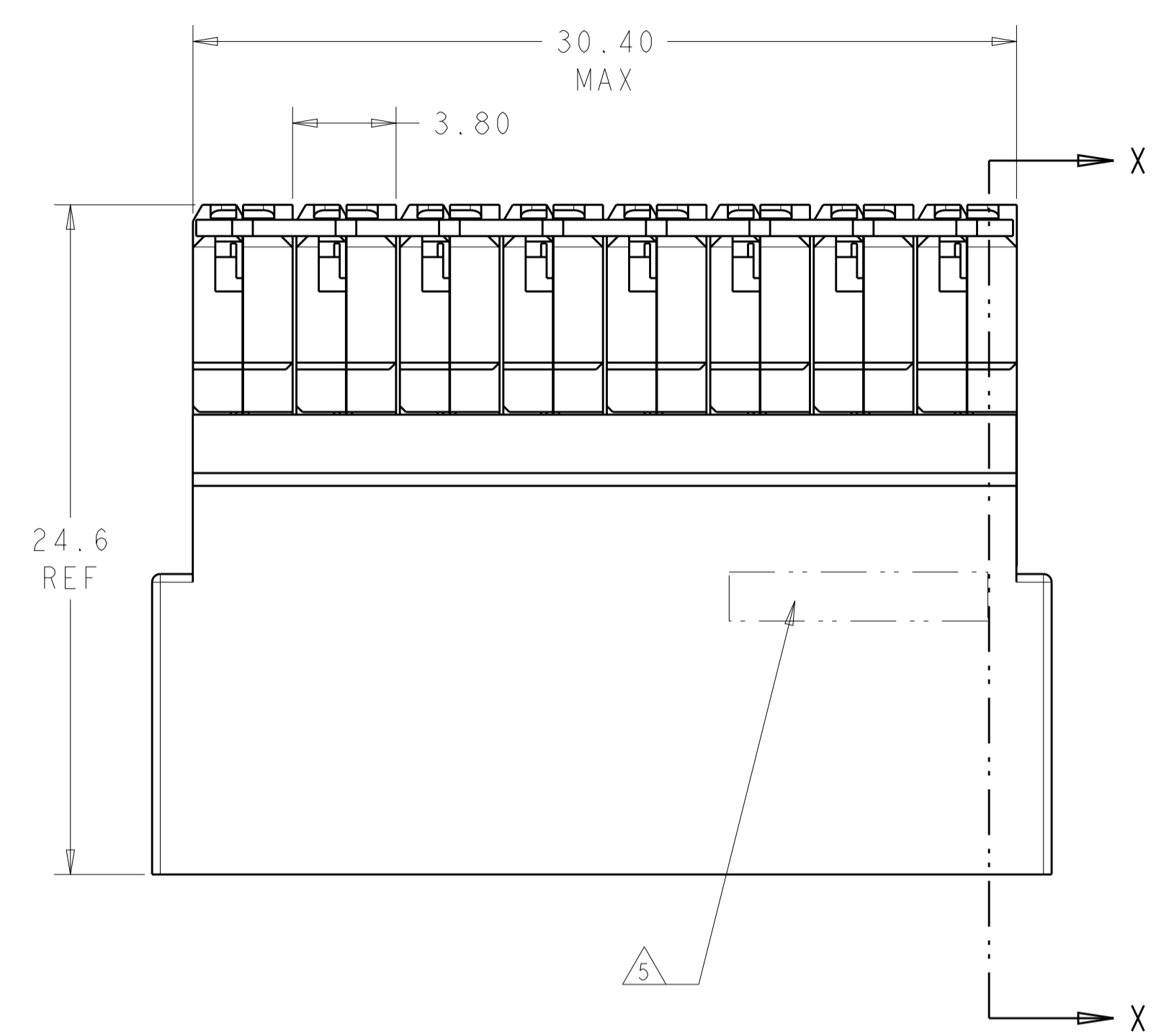
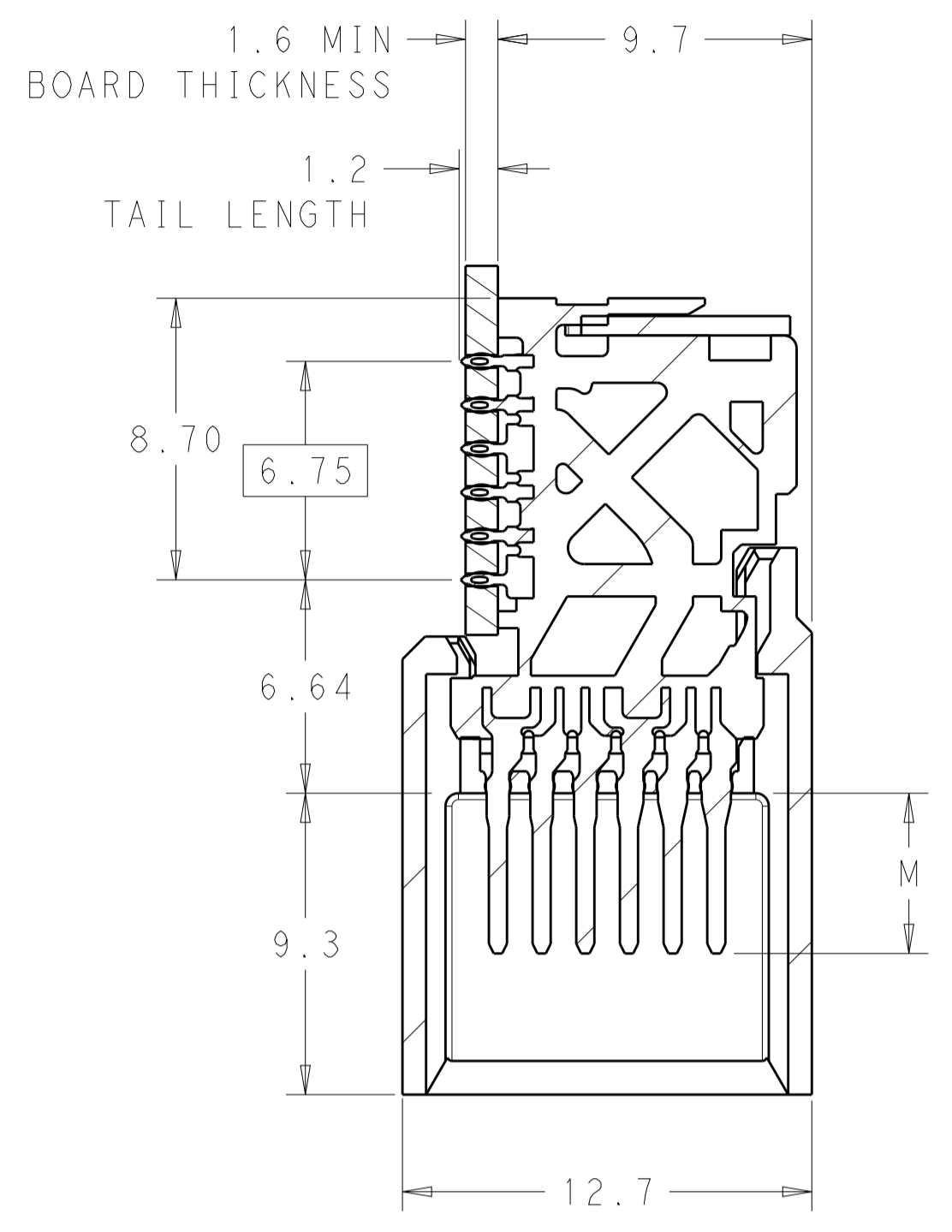
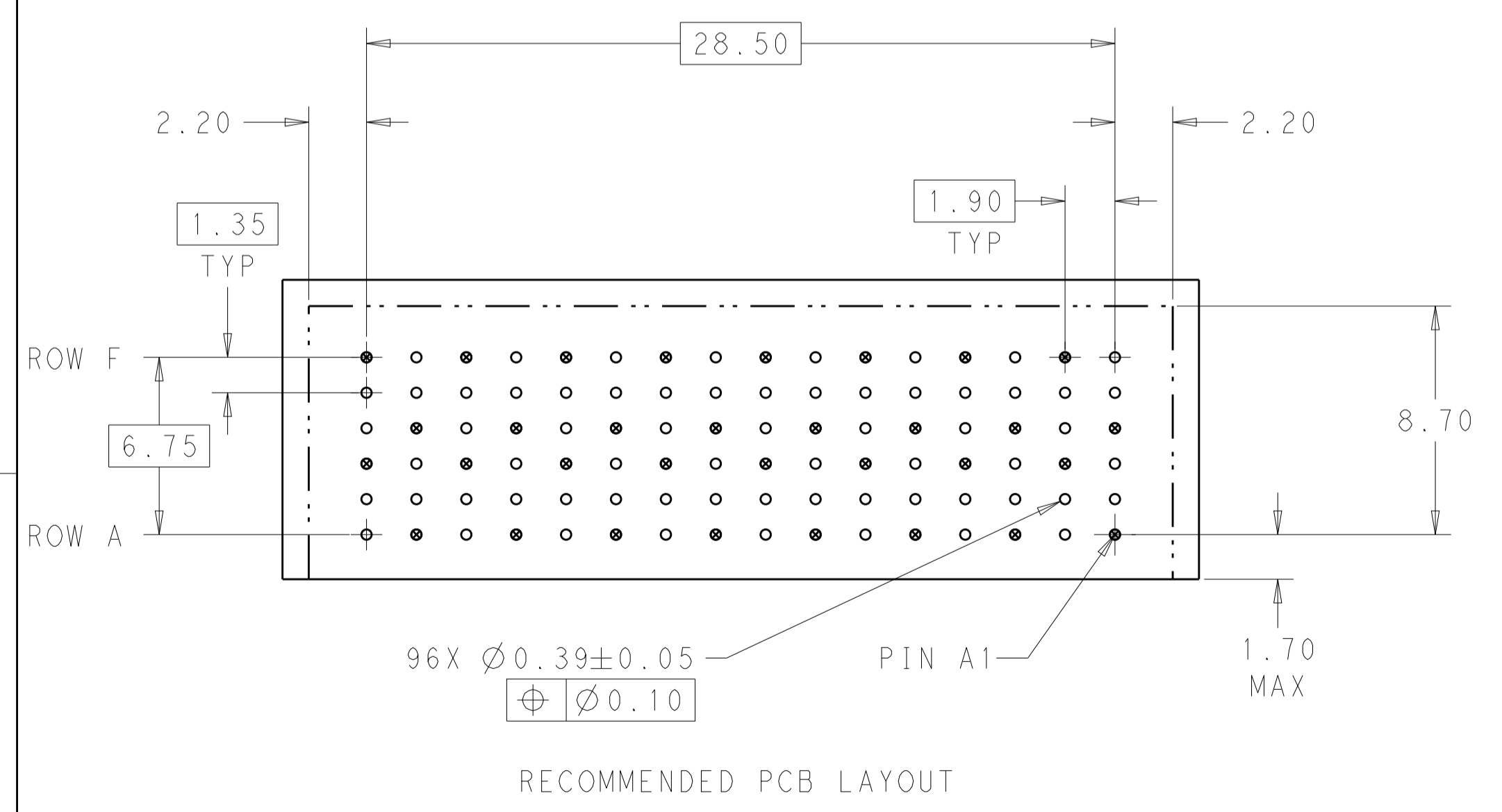
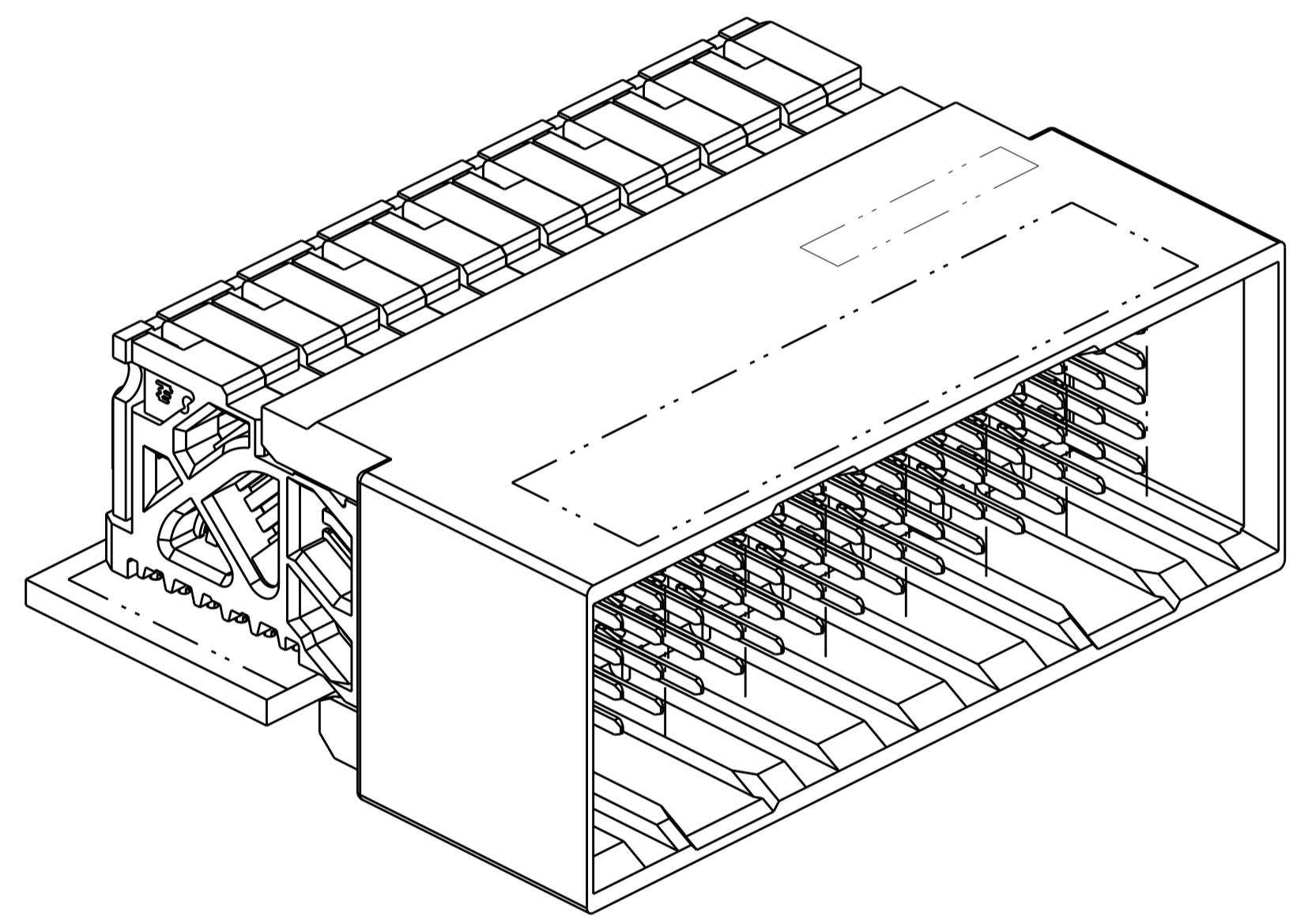
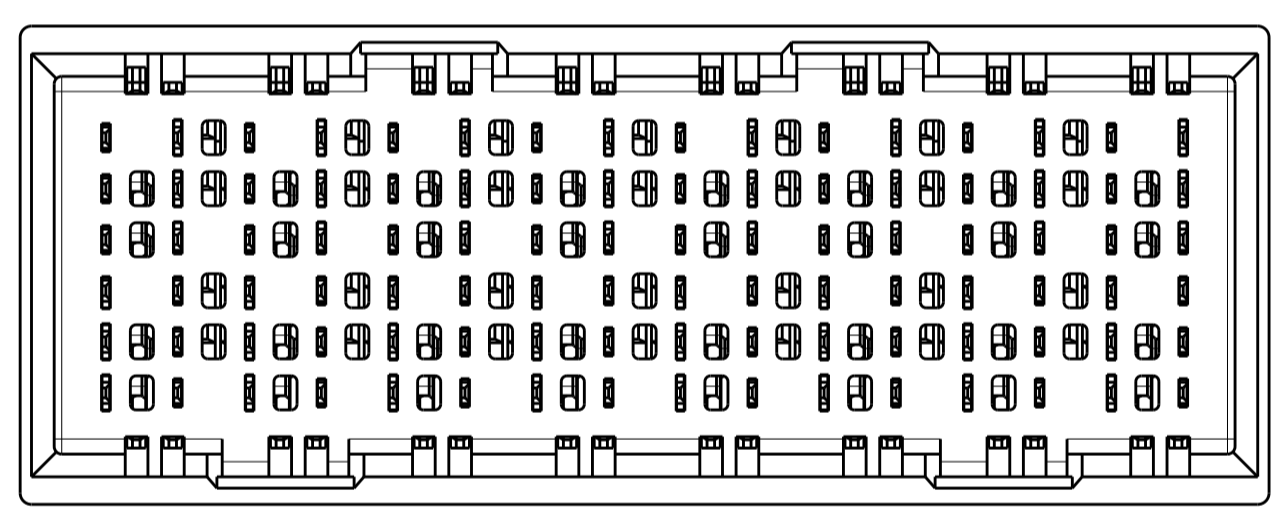


LOC		DIST		REVISIONS			
AD	00	P	LTN	DESCRIPTION	DATE	DWN	APVD
		C		REVISED PER ECO-14-005775	21APR2014	AP	DD

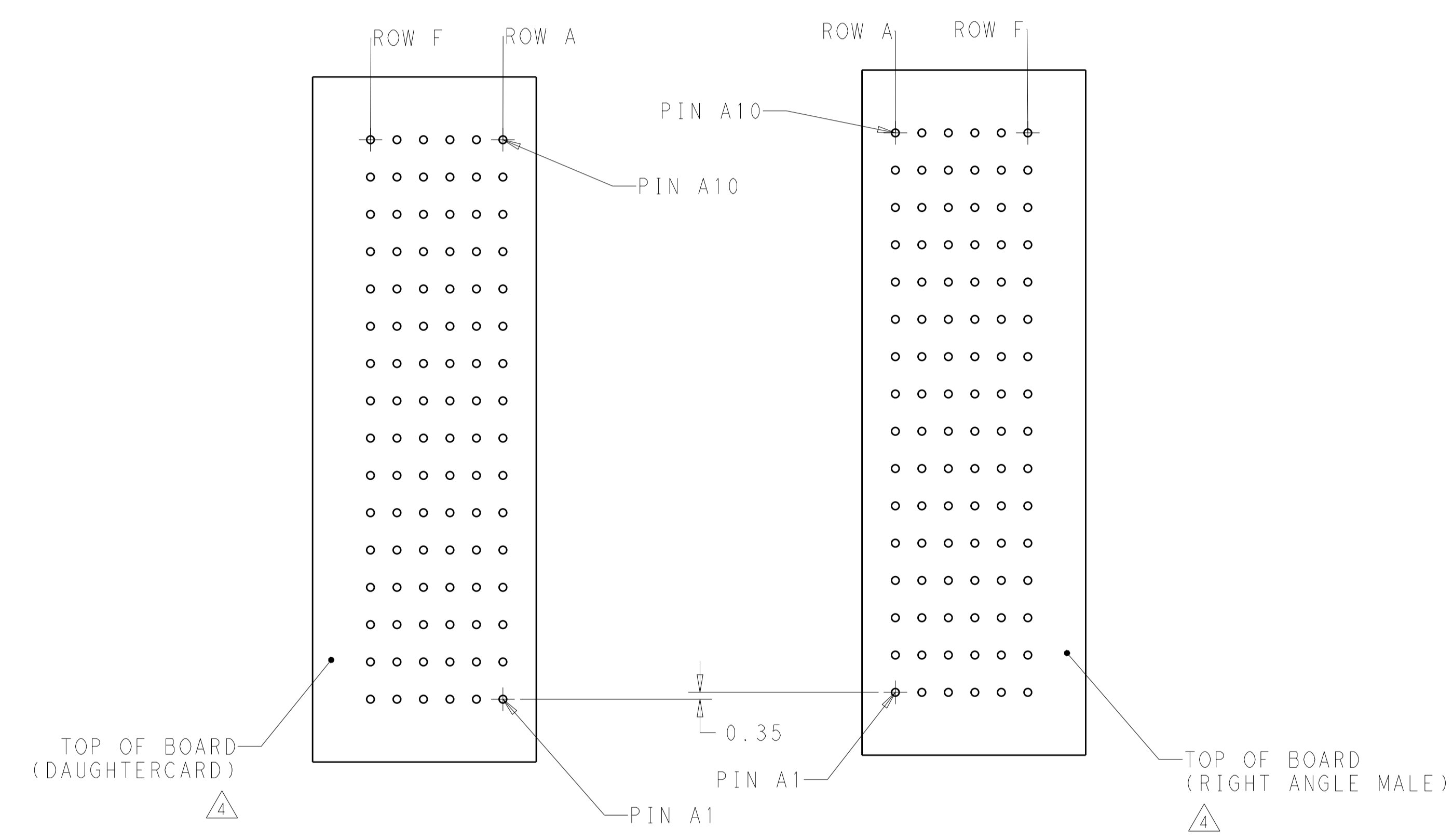


- 1 MATERIAL:
HOUSING: LCP, GLASS FILLED, UL94V-0.
TERMINALS: HIGH PERFORMANCE COPPER ALLOY.
- 2 FINISH:
30µm SELECTIVE GOLD IN CONTACT AREA. SELECTIVE TIN ON PCB TAILS, NICKEL OVERALL.
- 3 FINISH:
30µm SELECTIVE GOLD IN CONTACT AREA. SELECTIVE TIN-LEAD ON PCB TAILS, NICKEL OVERALL.
- 4 UNGUIDED RIGHT ANGLE MALE MATES TO UNGUIDED RIGHT ANGLE RECEPTACLE.
- 5 TE LOGO LOCATED IN APPROXIMATE LOCATION.



THIS DRAWING IS A CONTROLLED DOCUMENT.		DWN	07APR2011	STE TE Connectivity
DIMENSIONS:		CHK	07APR2011	
mm	0 PLC ±0.25 1 PLC ±0.13 2 PLC ±0.13 3 PLC ±0.13 4 PLC ±0.13	APVD	07APR2011	NAME: IMPACT, STD, RAM, 2 PAIR, 16 COLUMN, UNGUIDED DUALEND WALL SIGNAL MODULE, 0.39 EYELET PRODUCT SPEC
TOLERANCES UNLESS OTHERWISE SPECIFIED:		APPLICATION SPEC		
MATERIAL		WEIGHT	A100779C=2143311	RESTRICTED TO
FINISH: SEE TABLE		CUSTOMER DRAWING		SCALE: 5:1 SHEET 1 OF 2 REV C

LOC		DIST		REVISIONS			
P	LTN	DESCRIPTION	DATE	DWN	APVD		
-	-	SEE SHEET 1	-	-	-	-	-



COPLANAR MATED SIGNAL PATHS



	5.50	2143311-6
	4.90	2143311-5
	5.50	2143311-3
	4.90	2143311-2
FINISH	DIM M	PART NUMBER

REFER TO WWW.TE.COM FOR PRODUCT AVAILABILITY

THIS DRAWING IS A CONTROLLED DOCUMENT.		DWN	07APR2011	TE Connectivity
DIMENSIONS:		CHK	07APR2011	
mm		APVD	07APR2011	
TOLERANCES UNLESS OTHERWISE SPECIFIED: 0 PLC ± 1 PLC ±0.25 2 PLC ±0.13 3 PLC ± 4 PLC ± ANGLES ±		NAME	IMPACT, STD, RAM, 2 PAIR, 16 COLUMN, UNGUIDED DUALEND WALL SIGNAL MODULE, 0.39 EYELET	
MATERIAL		FINISH	SEE TABLE	PRODUCT SPEC
		WEIGHT	-	APPLICATION SPEC
		CUSTOMER DRAWING		SIZE
		SCALE	5:1	CAGE CODE
		SHEET	2	DRAWING NO
		REV	C	RESTRICTED TO