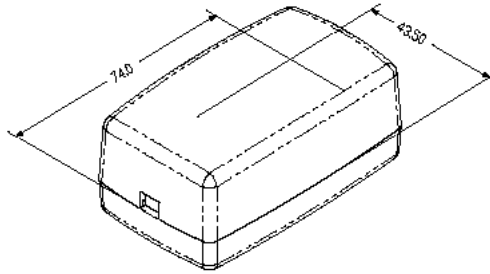
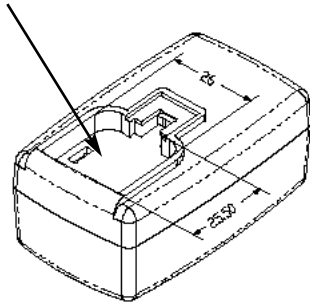


PROPRIETARY INFORMATION:
 PROPRIETARY OF GLOBTEK, INC. ANY REPRODUCTION, DISCLOSURE OR USE OF THIS DRAWING, IN WHOLE OR IN PART, IS HEREBY PROHIBITED EXCEPT AS SPECIFIED IN WRITING BY GLOBTEK, INC.

REVISION			
REV	DESCRIPTION	DATE	APPROVED
A	INITIAL RELEASE, RFS.5327, SO	01/11/05	DMR
B	REDRAW, ADD PAGE 2, RFS. 6098, ES	04/28/05	DMR
C	PLASTIC UK GROUND BLADE, 10690, EM	04/04/07	HM
D	LIST SERIES IN TITLE BLOCK, RFS. 13081, SO	02/28/08	HM
E	REVISE DESCRIPTION, I/P CONNECTORS, RFS. 18365, SO	03/31/10	HM
F	REVISE DRAWING TO SINGLE PIECES CONSTRUCTION, RFS.26898, NF	09/08/17	MK

 STANDARD OPTION SHIPS WITHOUT AC PINS INSTALLED

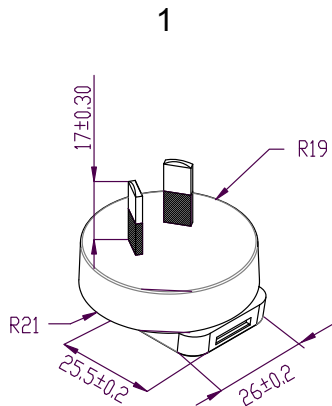


1. MATERIAL

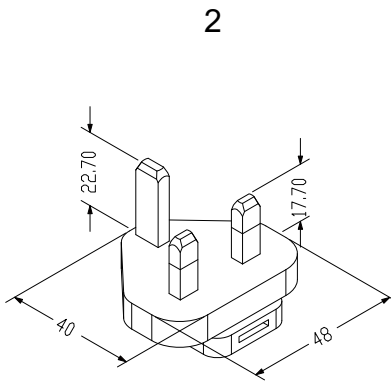
HIGH IMPACT PLASTIC, 94V0 POLYCARBONATE, NON-VENTED, COLOR BLACK

2. INPUT CONNECTOR:

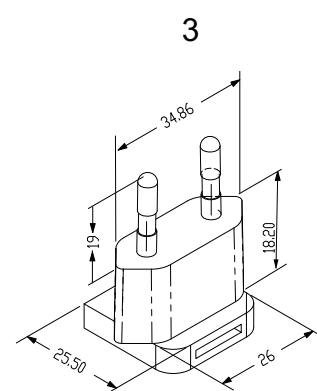
1. AUSTRALIAN AS 3112 CONFIGURATION: SAA 2 PINS CLASS II
2. UK BS 1363 CONFIGURATION: UK 2 PINS CLASS II WITH PLASTIC GROUND BLADE
3. EUROPEAN CEE 7/16 CONFIGURATION: EUROPLUG 2 PINS, CLASS II



P/N: Q-SAA(R)
 AUSTRALIA




P/N: Q-UK(R)
 UNITED KINGDOM
 HONG KONG
 SINGAPORE



P/N: Q-EU(R)
 EUROPE
 SOUTH AMERICA

RELEASED
 By N.Frost at 9:19 am, Sep 13, 2017

Foot Note: Globtek Inc. will not be liable for the safety and performance of these power supplies if unauthorized access and repair occurs. End user should consult applicable UL, CSA or EN standards for proper installation instructions	DASH NO.	PART NO	REV.	DESCRIPTION	NOTES
	TABULATION BLOCK				
Limitation of Use: Globtek product are not authorized for use as mission critical components in life support, hazardous environment, nuclear or aircraft applications without prior written approval from the CEO of Globtek Inc.	INIT.BY:SO	DATE: 01/11/05	TOLERANCES: DECIMALS .xx +/- 0.1 ANGULAR +/- 1' .xxx +/- .005		 186 Veterans Dr. Northvale, NJ 07647 Tel. 201-784-1000 Fax 201.784.0111 www.globtek.com
	DRAWN: NF	DATE: 01/11/05	MILLIMETERS .xx +/- 0.3 ANGULAR +/- 1' .xxx +/- .013	FSCN No.: G, N	
	APRVD : DMR	DATE: 01/11/05	SCALE: NONE	DWG TITLE: INTERNATIONAL INTERCHANGEABLE INPUT BLADES Q-SAA(R), Q-UK(R), Q-EU(R)	MODEL NO: N/A
				PART NO: Q-KIT-INTL(R)	REV. F SHEET 1 OF 2

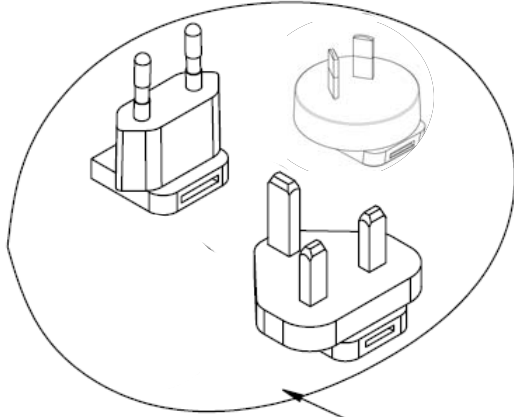
PROPRIETARY INFORMATION:

PROPRIETARY OF GLOBTEK, INC. ANY REPRODUCTION, DISCLOSURE OR USE OF THIS DRAWING, IN WHOLE OR IN PART, IS HEREBY PROHIBITED EXCEPT AS SPECIFIED IN WRITING BY GLOBTEK, INC.

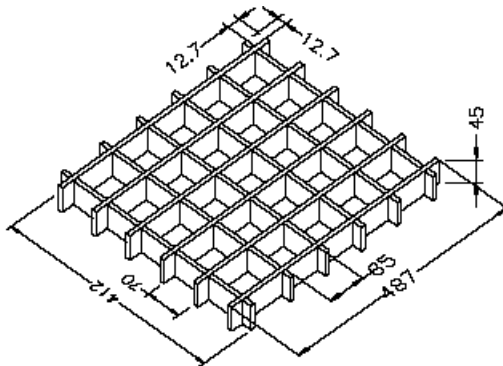
3. PACKING

KIT INCLUDING:

Q-SAA(R), Q-UK(R), Q-EU(R),
1 PIECE EACH: Q-KIT-INTL(R)



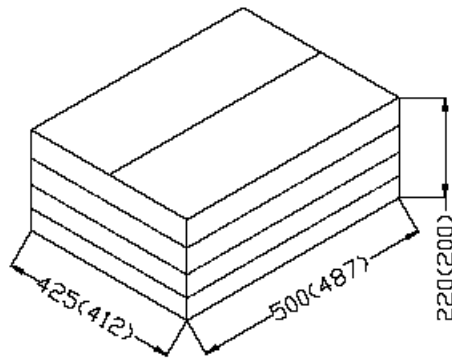
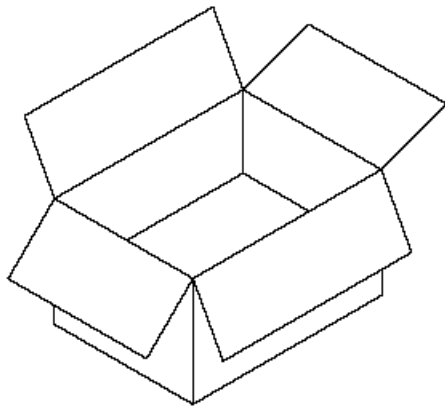
POLYBAG: 0.045*110*200



CELL PARTITION

CARTON SIZE: 500X425X220mm

Q'TY: 100pcs(25x4)



GlobTek, Inc.
www.globtek.com

186 Veterans Dr. Northvale, NJ 07647
Tel. 201-784-1000 Fax 201.784.0111

DWG TITLE: INTERNATIONAL INTERCHANGEABLE INPUT BLADES
Q-SAA(R), Q-UK(R), Q-EU(R)

MODEL NO: N/A

REV.
F

PART NO: Q-KIT-INTL(R)

SHEET 2 OF 2