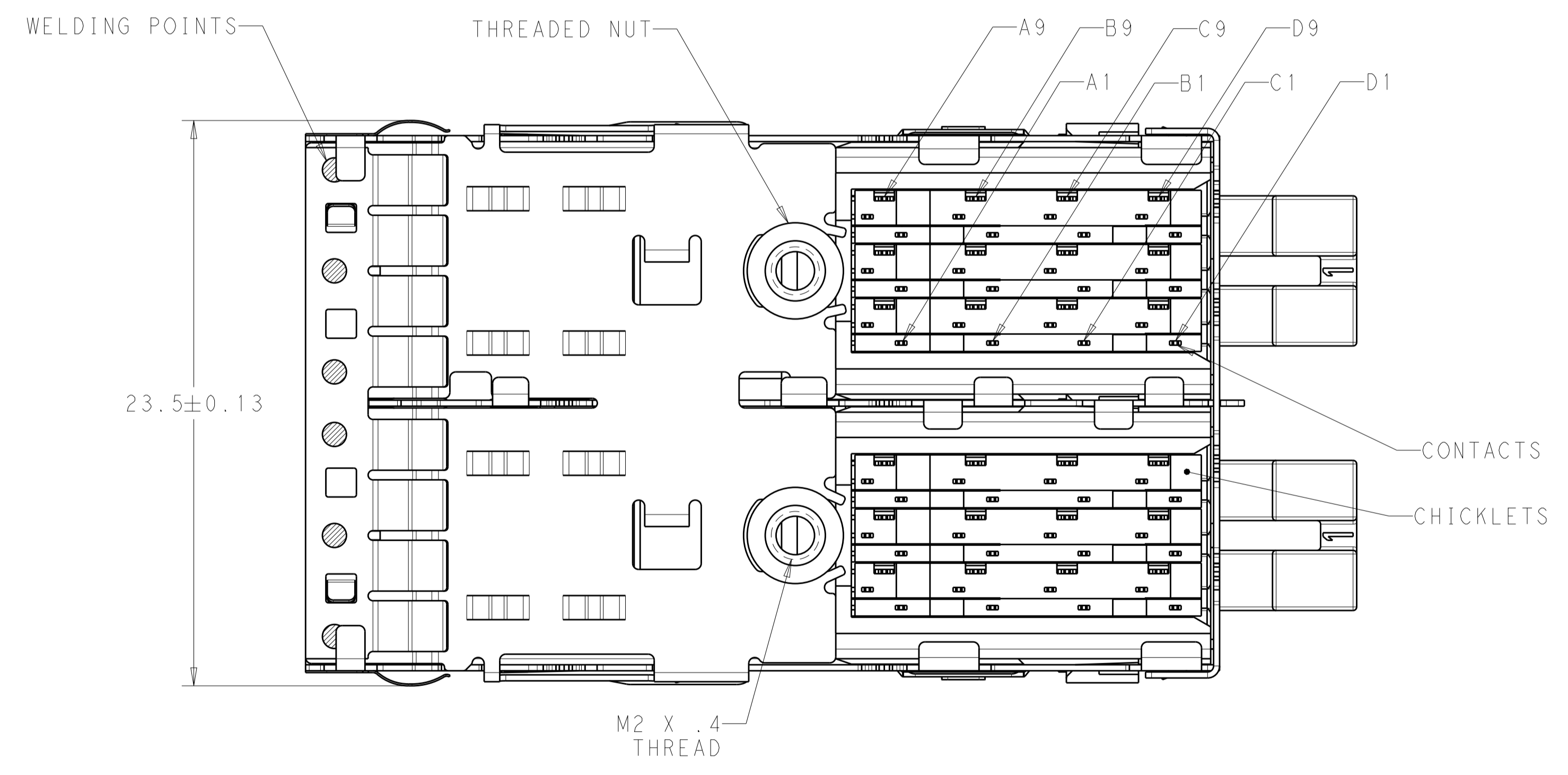
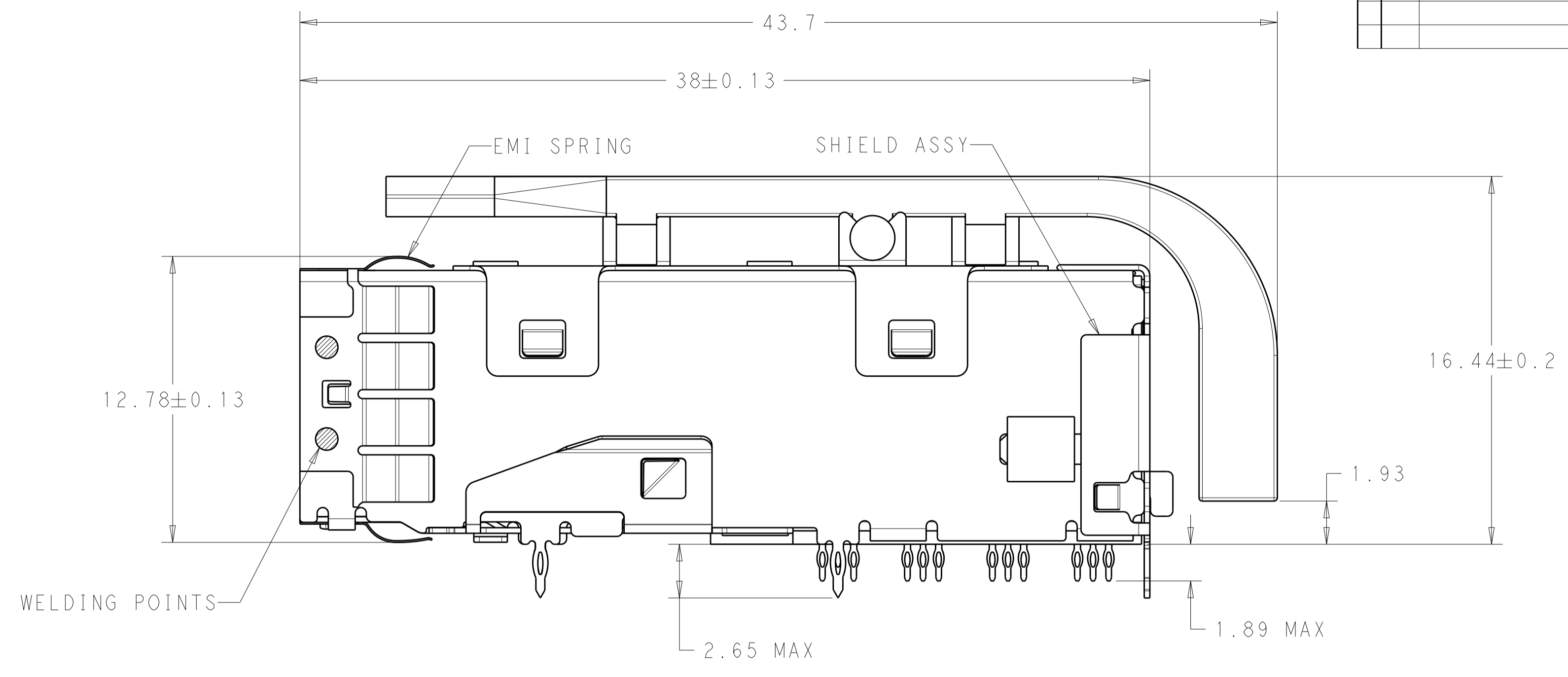
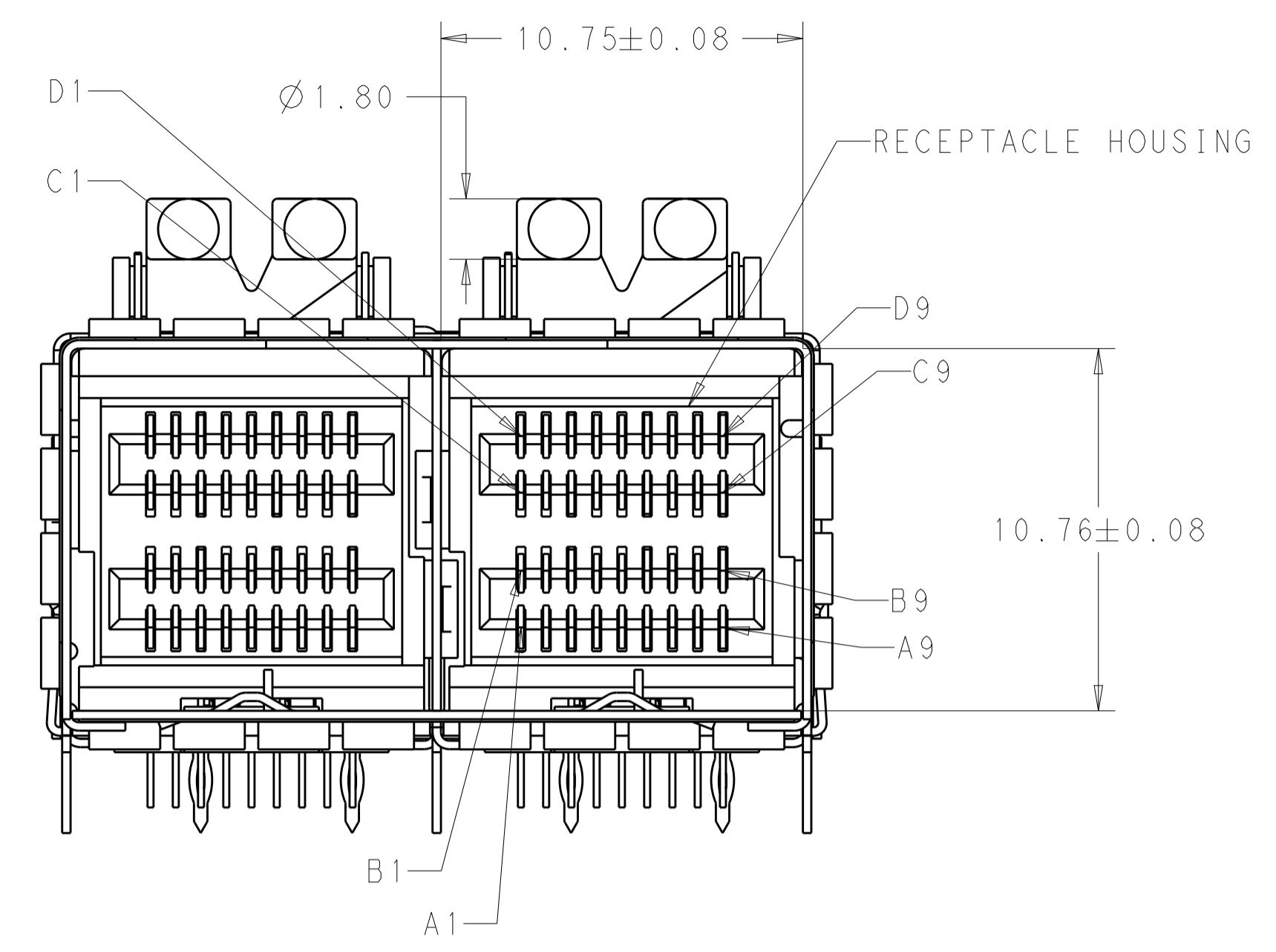


LOC	DIST	REVISIONS					
GP	00	P	LTN	DESCRIPTION	DATE	DWN	APVD
		A		INITIAL RELEASE	21FEB2014	BM	DG
		B		REVISED PER ECO-15-013506	03MAY2016	JY	SH



- MATERIALS**
 RECEPTACLE HOUSING: LCP, BLACK, UL94V-0 RATED
 SHIELD ASSY: NICKEL-SILVER COPPER ALLOY
 CONTACTS: COPPER ALLOY
 EMI SPRING: COPPER ALLOY
 THREADED NUT: BRASS
 CHICKLETS: LCP, BLACK, UL 94V-0 RATED
 LIGHTPIPE CLIP: STAINLESS STEEL
 LIGHTPIPE: POLYCARBONATE
- FINISH**
 EMI SPRING: TIN PLATE OVER NICKEL PLATE. NON-PLATED EDGES PERMISSABLE
 THREADED NUT: NICKEL PLATE
- CONTACT MATING AREA:** 0.76 μ m MIN GOLD IN CONTACT AREA, 1.75 μ m MIN TIN ON PCB TAILS. ALL OVER 1.27 μ m MIN NICKEL UNDERPLATE.
 NEEDLE EYE: 1.25 μ m MIN TIN OVER 1.27 μ m MIN NICKEL.
 REMINDER OF CONTACT: 0.76 μ m MIN NICKEL.
- THREAD LENGTH OF FASTENER = PCB THICKNESS+1.45 MAX
- THIS PRODUCT HAS NOT COMPLETED VALIDATION/QUALIFICATION TESTING
- RECOMMENDED TRACE KEEP OUT ZONE
- RECEPTACLE ASSEMBLY AND LIGHT PIPE ASSEMBLY ARE PACKAGED INDIVIDUALLY, THEN KIT PACKAGED.

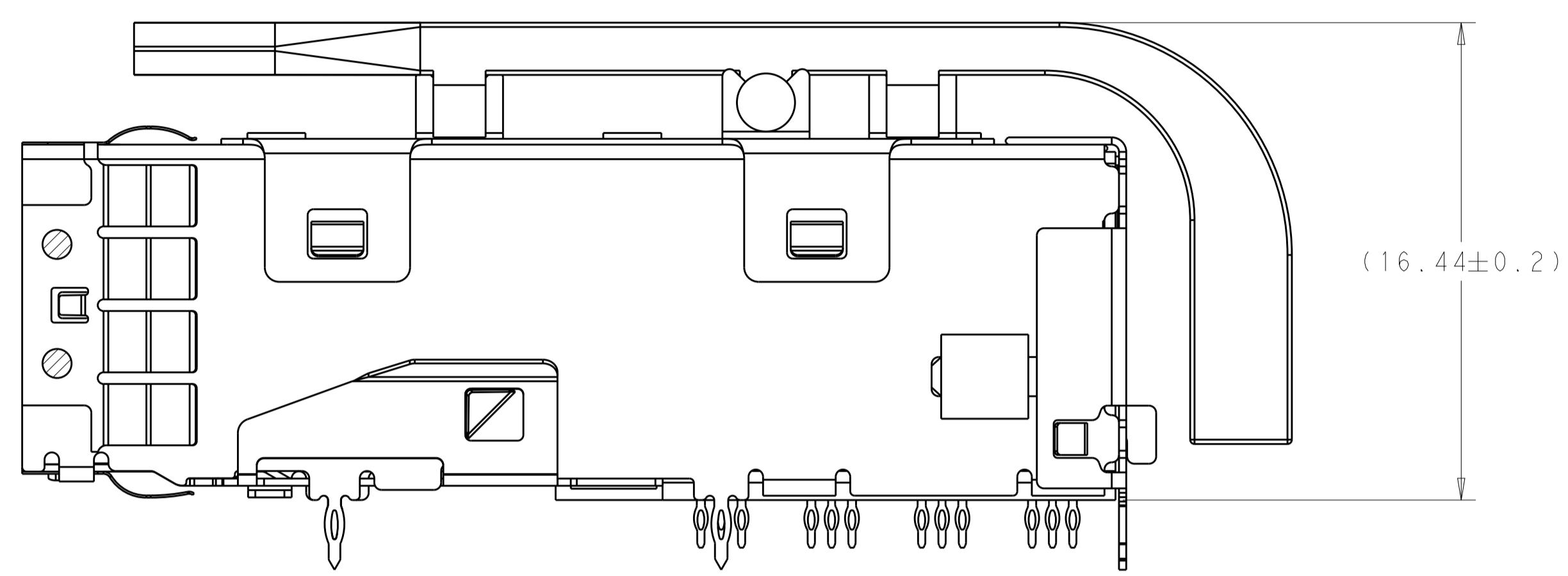
LOWER HEIGHT	14.53	2274684-2
STANDARD HEIGHT	15.54	2274684-1
LIGHT PIPE	H HOLE HEIGHT OF LP	PART NUMBER

THIS DRAWING IS A CONTROLLED DOCUMENT. DIMENSIONING AND TOLERANCING PER: ASME Y14.5M-2009

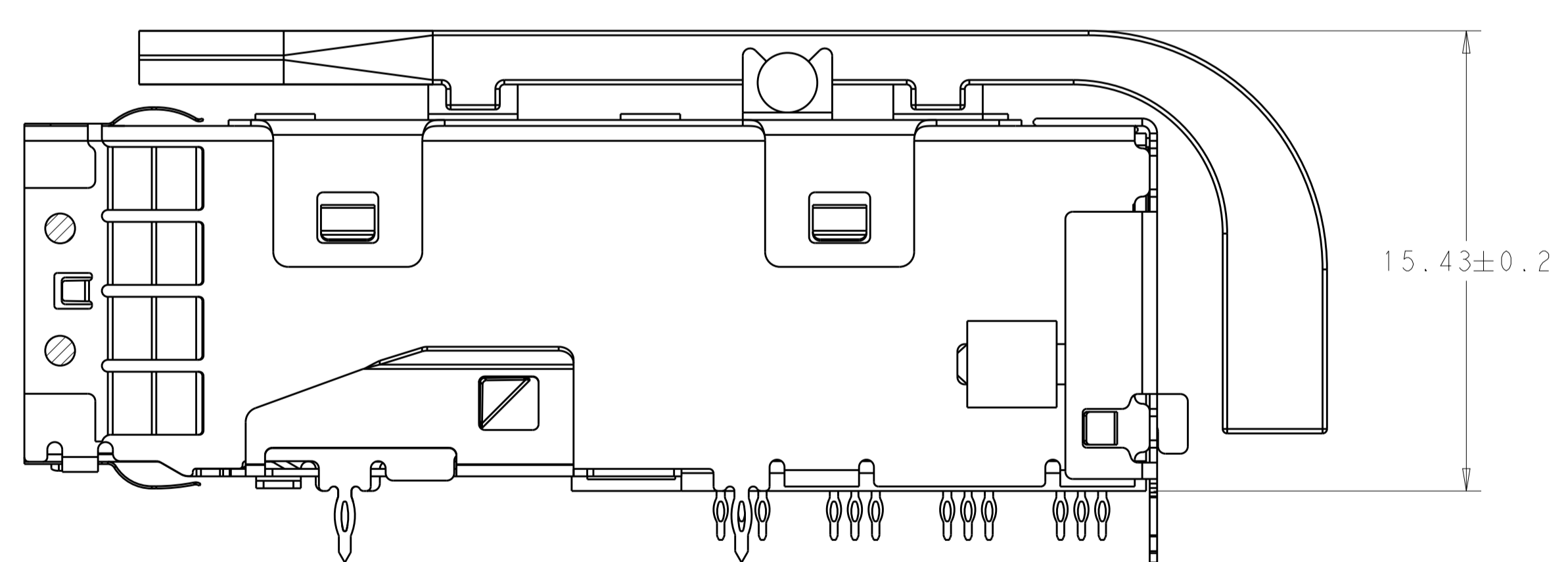
DIMENSIONS:	TOLERANCES UNLESS OTHERWISE SPECIFIED:	DWN: B. MATTHEWS 21FEB2014	CHK: D. GORENC 21FEB2014	APVD: D. GORENC 21FEB2014
mm	0 PLC \pm 1 PLC ± 0.25 2 PLC ± 0.13 3 PLC \pm 4 PLC \pm ANGLES \pm	PRODUCT SPEC: 108-2462	APPLICATION SPEC: 114-13316	WEIGHT: -
MATERIAL:	FINISH:	NAME: RECEPTACLE ASSEMBLY, MINI-SAS HD, 2X W/ LIGHT PIPES		
CUSTOMER DRAWING		SIZE: A1	CAGE CODE: 100779	DRAWING NO: C=2274684
SCALE: 6:1		SHEET 1 OF 4		REV B

4805 (3/11)


LOC		DIST		REVISIONS			
P.	LTN	DESCRIPTION	DATE	DWN	APVD		
-	-	SEE SHEET 1	-	-	-		



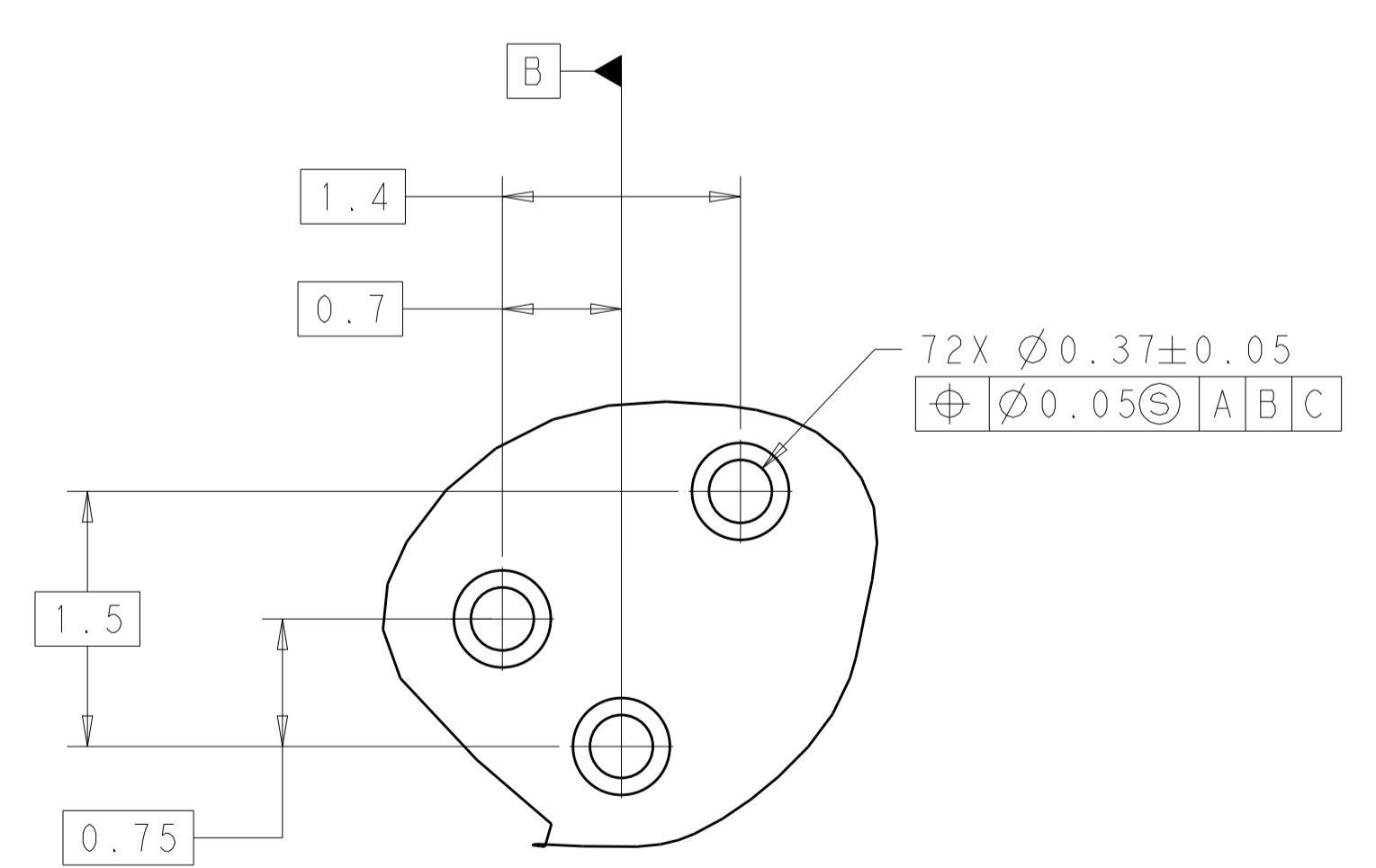
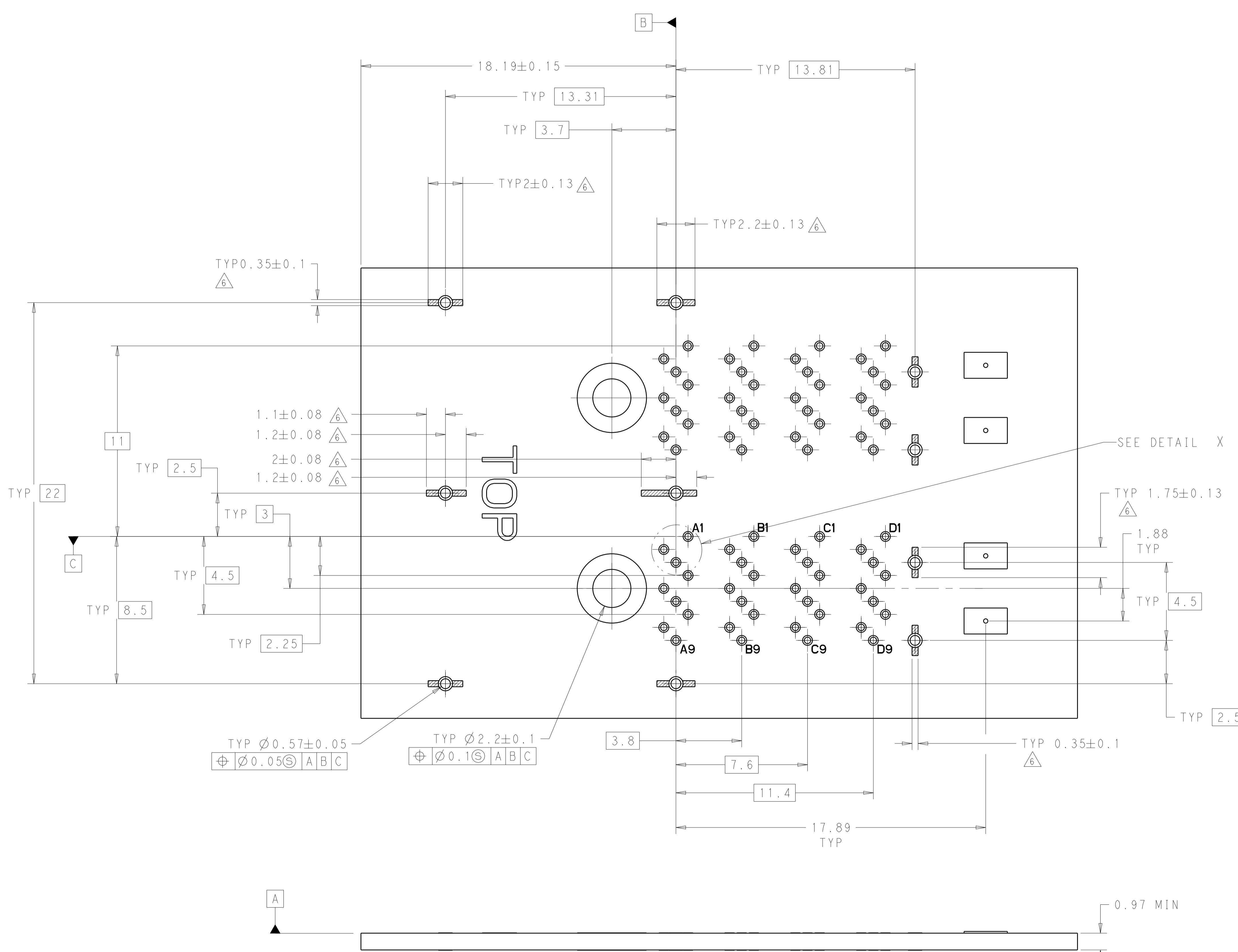
2274684-1
 SCALE 6:1



2274684-2
 UNSPECIFIED DIMENSIONS ARE SAME AS 2274684-1
 SCALE 6:1

THIS DRAWING IS A CONTROLLED DOCUMENT.		DWN B. MATTHEWS 21FEB2014	 TE Connectivity
		CHK D. GORENC 21FEB2014	
DIMENSIONS:		APVD D. GORENC 21FEB2014	NAME RECEPTACLE ASSEMBLY, MINI-SAS HD, 2X W/ LIGHT PIPES
mm	TOLERANCES UNLESS OTHERWISE SPECIFIED:	PRODUCT SPEC	SIZE CAGE CODE DRAWING NO
	0 PLC ±	108-2462	A100779C=2274684
	1 PLC ±0.25	APPLICATION SPEC	RESTRICTED TO
	2 PLC ±0.13	114-13316	
	3 PLC ±	WEIGHT	
	4 PLC ±	CUSTOMER DRAWING	
	ANGLES ±	SCALE 6:1	SHEET 2 OF 4
MATERIAL	FINISH		REV B

REVISONS		DATE	DMN	APVD
P. LTR	DESCRIPTION			
-	SEE SHEET 1	-	-	-

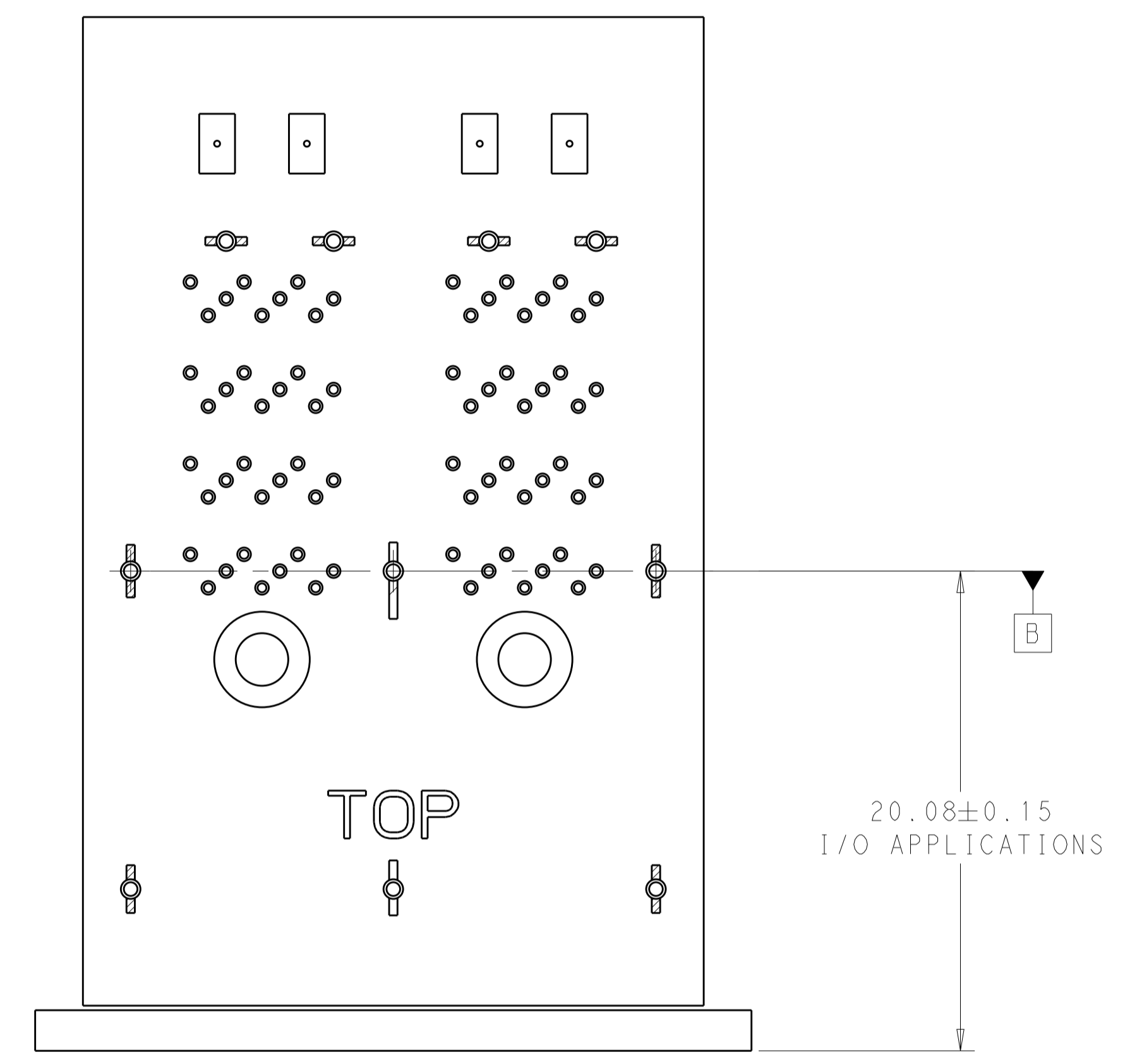
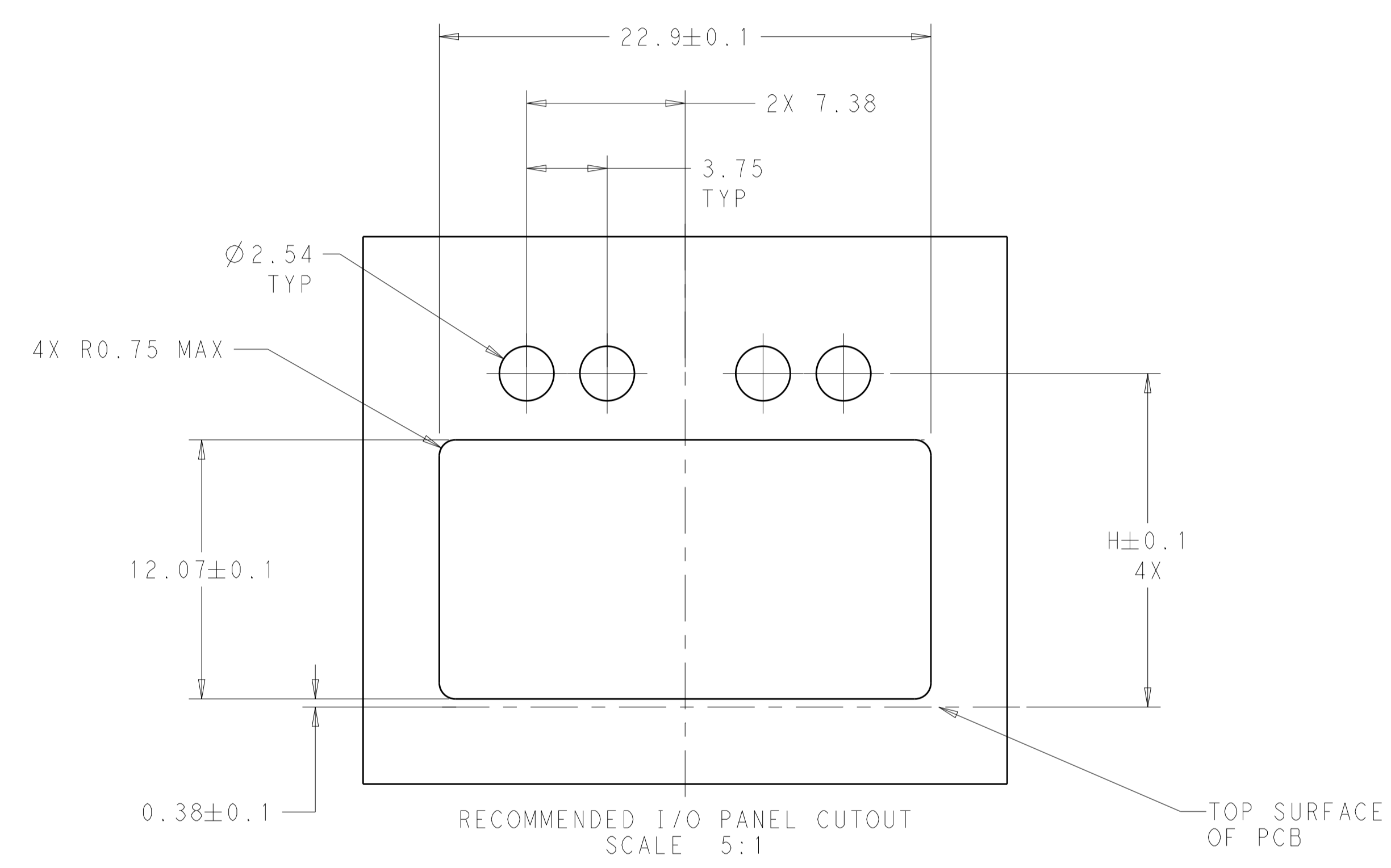


DETAIL X
SCALE 25:1

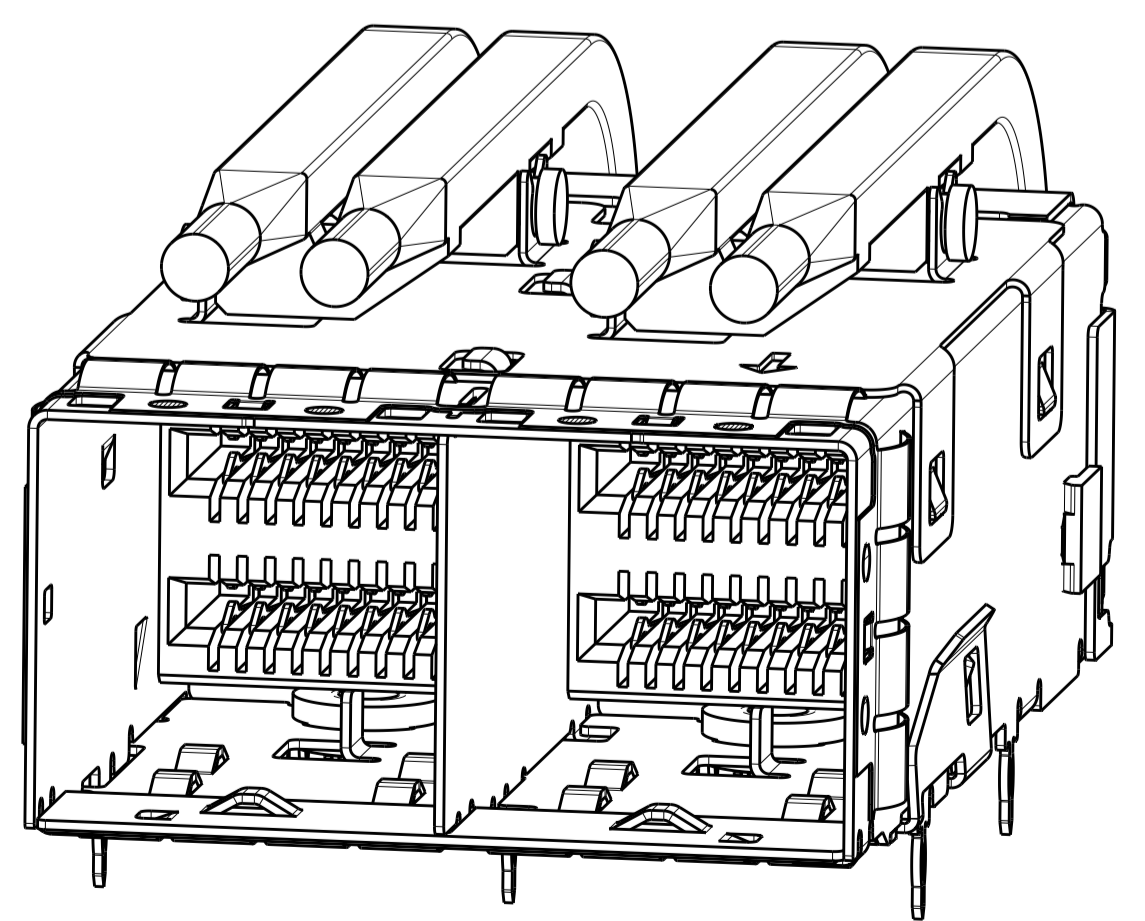
RECOMMENDED PCB LAYOUT

THIS DRAWING IS A CONTROLLED DOCUMENT. DIMENSIONING AND TOLERANCING PER ASME Y14.5M-2009		DMN: B. MATTHEWS 21FEB2014 CHK: D. GORENC 21FEB2014	TE Connectivity	
DIMENSIONS: mm		APVD: D. GORENC 21FEB2014	NAME: RECEPTACLE ASSEMBLY, MINI-SAS HD, 2X W/ LIGHT PIPES	
TOLERANCES UNLESS OTHERWISE SPECIFIED:		PRODUCT SPEC: 108-2462	SIZE: A1	
0 PLC ±0.25		APPLICATION SPEC: 114-13316	CAGE CODE: 2274684	
1 PLC ±0.13		WEIGHT: -	RESTRICTED TO: -	
2 PLC ±0.10		CUSTOMER DRAWING	SCALE: 5:1 SHEET 3 OF 4 REV B	
3 PLC ±0.075				
4 PLC ±0.05				
ANGLES ±0.5				

LOC	DIST	REVISIONS			
P	LTN	DESCRIPTION	DATE	DWN	APVD
-	-	SEE SHEET 1	-	-	-



PANEL/PCB ASSEMBLY
SCALE 5:1



THIS DRAWING IS A CONTROLLED DOCUMENT. DIMENSIONING AND TOLERANCING PER ASME Y14.5M-2009.		DWN B. MATTHEWS 21FEB2014	TE Connectivity
TOLERANCES UNLESS OTHERWISE SPECIFIED:		CHK D. GORENC 21FEB2014	
DIMENSIONS:	mm	APVD D. GORENC 21FEB2014	NAME RECEPTACLE ASSEMBLY, MINI-SAS HD, 2X W/ LIGHT PIPES
0 PLC	±	PRODUCT SPEC	SIZE CAGE CODE DRAWING NO
1 PLC	±0.25	108-2462	A100779C=2274684
2 PLC	±0.13	APPLICATION SPEC	RESTRICTED TO
3 PLC	±	114-13316	SCALE 5:1 SHEET 4 OF 4 REV B
4 PLC	±	WEIGHT	
ANGLES	±	CUSTOMER DRAWING	
MATERIAL			
FINISH			