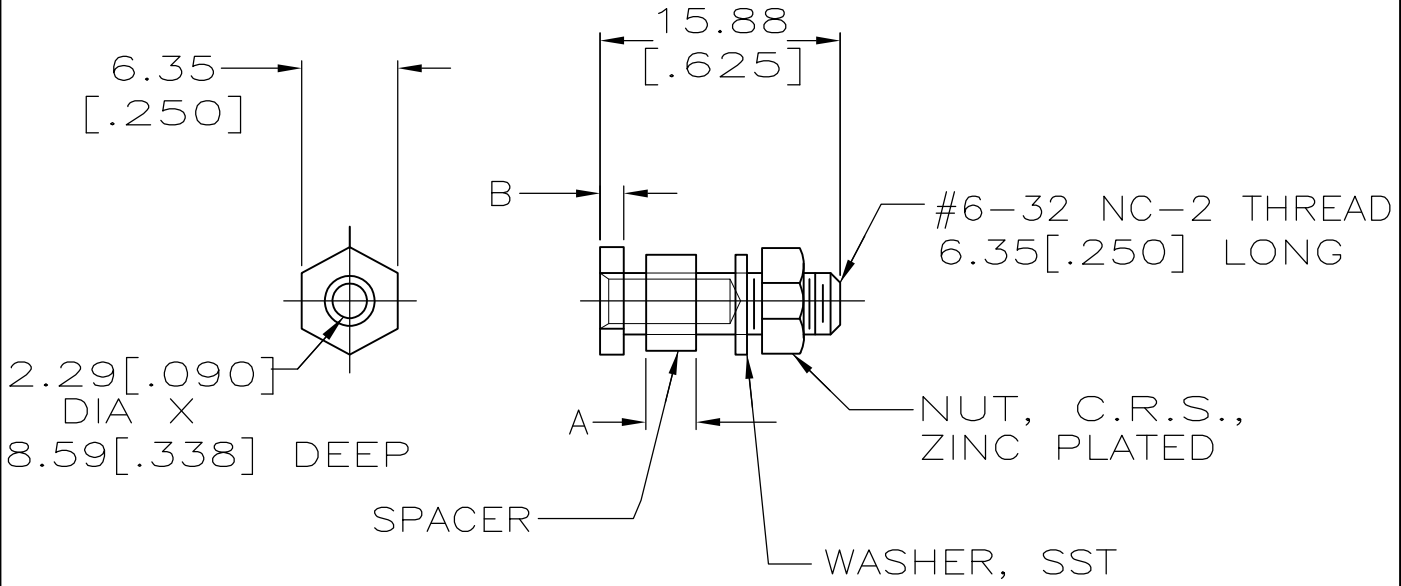


LOC FT	DIST 0	REVISIONS			
P	LTR	DESCRIPTION	DATE	DWN	APVD
	M	REVISED PER ECO-10-021995	12JAN11	HMR	MG



	1.57 [.062]	3.30 [.130]	202174-5
	3.10 [.122]	—	202174-4
OBSOLETE	1.57 [.062]	2.36 [.093]	202174-3
SUPERSEDED BY 202174-5	1.57 [.062]	3.30 [.130]	202174-1
	B	A	PART NUMBER

THIS DRAWING IS UNPUBLISHED. ALL INTERNATIONAL RIGHTS RESERVED. BY TYCO ELECTRONICS CORPORATION.

DIMENSIONS: mm [INCHES]	DWN T. SMITH 10/28/94	MATERIAL SEE CALLOUTS	FINISH SEE CALLOUTS
	CHK D. STONE 11/7/94	Tyco Electronics Corporation Harrisburg, PA 17105-3608	
TOLERANCES UNLESS OTHERWISE SPECIFIED:  0 PLC ± - 1 PLC ± - 2 PLC ± 0.38[.015] 3 PLC ± - 4 PLC ± - ANGLES ± -	APVD -	NAME GUIDE SOCKET KIT, UNASSEMBLED 104 POSN CNTR FASTENER, M SERIES	
	PRODUCT SPEC -	SIZE A4	CAGE CODE 00779
	APPLICATION SPEC -	RESTRICTED TO -	
	WEIGHT -	SCALE 2:1	
CUSTOMER DRAWING		SHEET 1 OF 1	REV M