



**Electric Motors  
& Specialties, Inc.**

# SPFB SHADED POLE



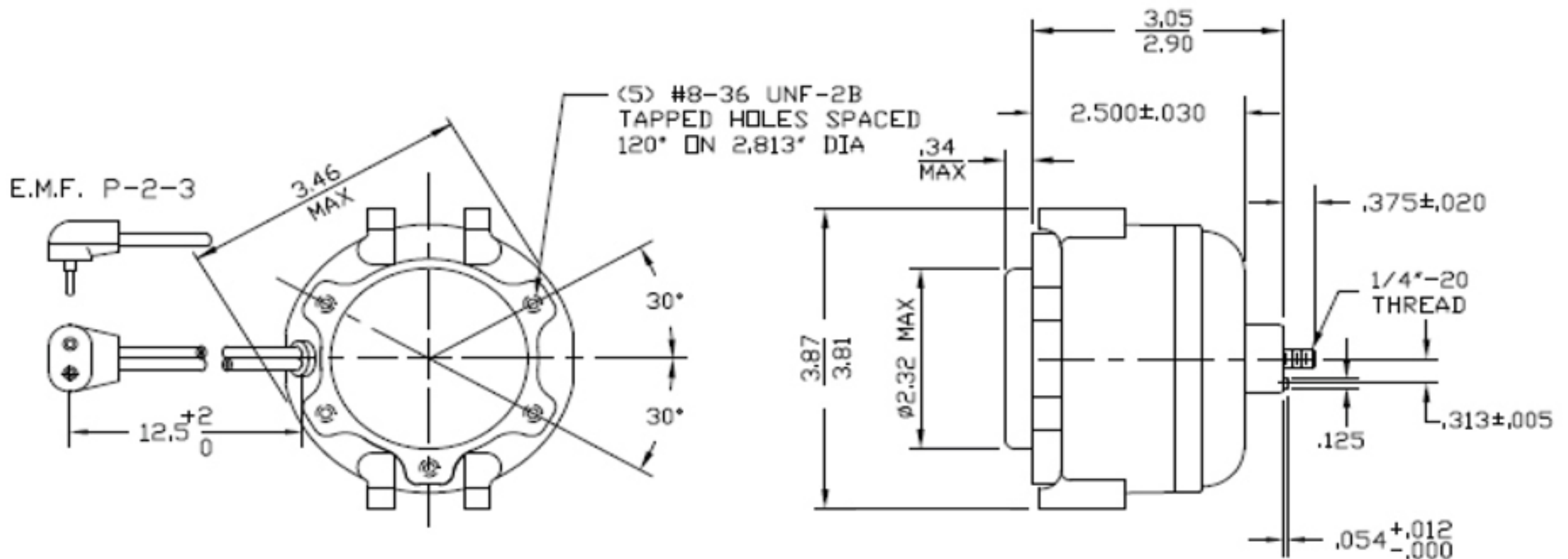
## SPFBG16 Shaded Pole

### General Description

The SPFB line of shaded pole fan motors is the ultimate in long life design. These 4-pole, cast-iron unit bearing fan motors have been the standard of dependability and durability in light commercial refrigeration for many years.

### Features

- + Cast iron bearing and thick film lubrication system for long life and dependability
- + Cool running, quiet operation
- + Low temp oil for evaporator duty only
- + Meets UL and Canadian Standards for safety



Model	Output	Speed	Volts	Amps	Frequency	Insulation	Protection	Recognitions
SPFBG161	16-watt	1550	115	1	60/50 HZ	Class B	T/P	UL / cUL
SPFBG162	16-watt	1550	230	0.5	60/50 HZ	Class B	T/P	UL / cUL



**Electric Motors & Specialties, Inc.**