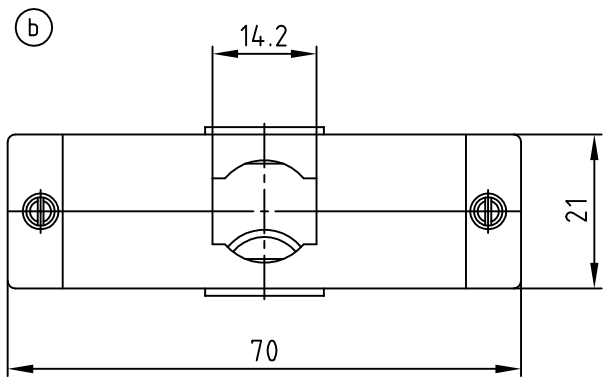
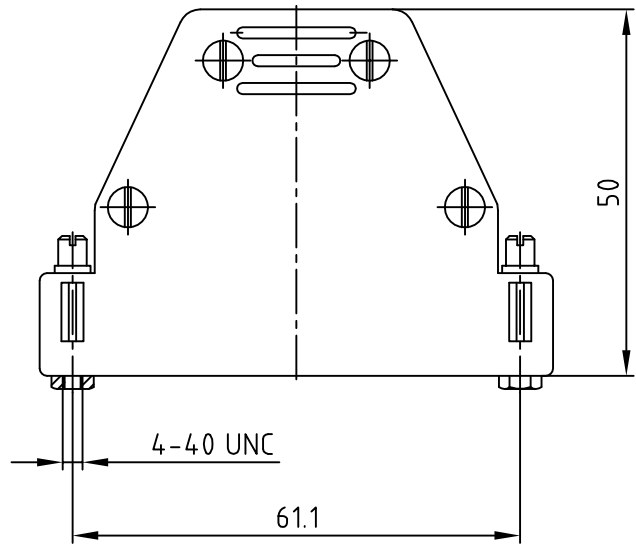


used for: D-SUB



Part NO. Bulk package	Part NO. Single package
165X11049X	165X11049XE

Directive 2002/95/EC
„RoHS“
Compliant

- NOTES:
 1. HOOD MATERIAL: ABS V0 / METALLIZED
 2. SCREWLOCK: MATERIAL: BRASS NICKEL-PLATING

THIS DRAWING MAY NOT BE COPIED OR REPRODUCED IN ANY WAY, AND MAY NOT BE PASSED ON TO A THIRD PARTY WITHOUT WRITTEN PERMISSION.
 OWNERSHIP AND COPYRIGHT OF CONEC GmbH
 DO NOT ALTER CAD DRAWING BY HAND

				tolerance				scale: 1:1	
								material: SEE NOTES	
				2002		date		name	
				drawn		04.03.		Schmidt	
				appd.		04.03.		Mickenbecker	
				norm					
				d-old					
1 x c	Ä3792	27.10.2010	K.H.						
2 x b	Ä 2286	02.08.2005	HS						
rev.	description	date	name						

title: Plastic Hood with straight cable exit and screw lock, 50 pos.		dwg no: AutoCAD 2000		DIN-A 4	
part no: SEE TABLE		16K2A670 (b)		sh: 1/1	

4 3 2 1