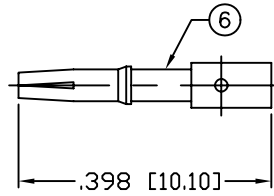
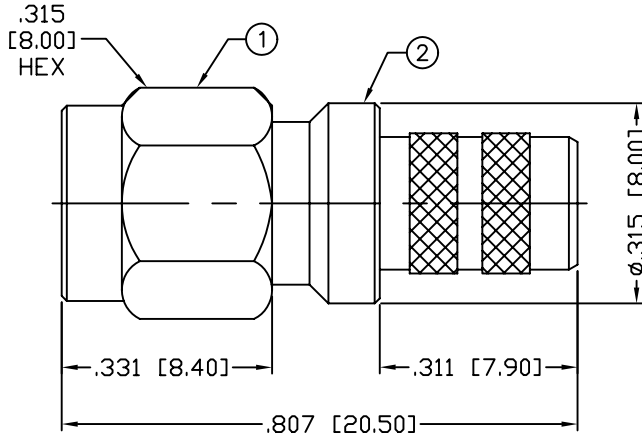


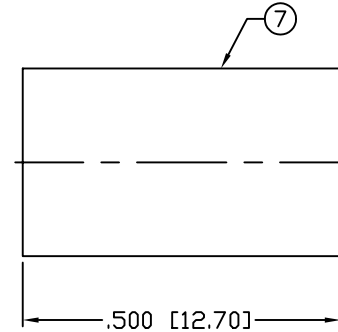
THIS DRAWING CONTAINS INFORMATION PROPRIETARY TO RF INDUSTRIES.
 ANY UNAUTHORIZED USE OF THIS DRAWING IS EXPRESSLY PROHIBITED
 WITHOUT WRITTEN PERMISSION FROM RF INDUSTRIES.
 ANY VIOLATION IS PUNISHABLE UNDER U.S. COPYRIGHT LAWS.

ALL DIMENSIONS ARE REFERENCE ONLY

PART NO.		RP-3000-1X		
REV	DESCRIPTION	DWN	DATE	APPROVED
-	ENGINEERING RELEASE	CZS	7/16/99	JDMc



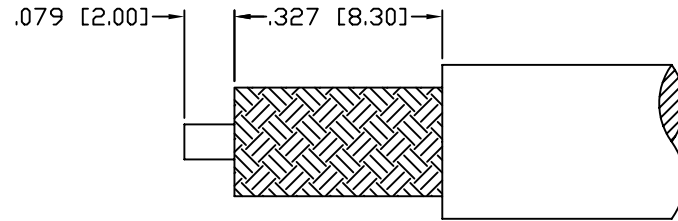
RECOMMENDED SOLDER ONLY



RECOMMENDED CRIMP DIE: .255"

SPECIFICATIONS:

IMPEDANCE: 50 Ohms
 FREQUENCY RANGE: 0-12.4 GHz
 VSWR: 1.3 MAX.
 WORKING VOLTAGE: 500 V rms Max. @ Sea Level
 INSERTION LOSS(dB): $0.03 \times \sqrt{f(\text{GHz})}$
 INSULATION RESISTANCE: 5k M Ohms min.
 TEMPERATURE RANGE: -65°C TO 85°C
 FOR RG-8/X, BELDEN 9258, MAXRAD M8X-100 &
 M8X-1000, MICRO 8/U, REMEE 1600, SAXTON 8315 &
 TIMES LMR-240 & LMR-240 ULTRAFLEX CABLE



RECOMMENDED STRIPPING DIMENSIONS

1	SHELL	1	BRASS	GOLD, 3μ"	008974	
2	BODY	1	BRASS	GOLD, 3μ"		
3	INSULATOR	1	PTFE	---		
4	RETAINING RING	1	Be.Cu.	---		
5	GASKET	1	SILICONE	---		
6	CONTACT	1	Be.Cu.	GOLD, 50μ"		
7	FERRULE	1	COPPER	GOLD, 3μ"		
8						
9						
10					DRAWN	
11					C. ZUNIGA	
12					03/13/07	
13					CHECKED	
14						
					ORJ DRAWN	
					C. ZUNIGA	
					03/13/07	
#	DESCRIPTION	QTY	MATERIAL	FINISH	APPROVALS	DATE

RoHS COMPLIANT

DIMENSIONS ARE IN INCHES AND [MILLIMETERS] UNLESS OTHERWISE NOTED TOLERANCES ARE:
 DECIMALS DIAMETER

RF connectors
 DIVISION OF RF INDUSTRIES, LTD.

7610 MIRAMAR RD
 SAN DIEGO, CA 92126
 (858) 549-6340
 (858) 549-6345 FAX

SMA PLUG, CRIMP

REVERSE POLARITY

SIZE	CABLE GROUP	DWG NO.	REV
A	X	RP-3000-1X	-
SCALE:	NTS	CAD FILE	OUTLINE
SHEET		1 OF 1	