

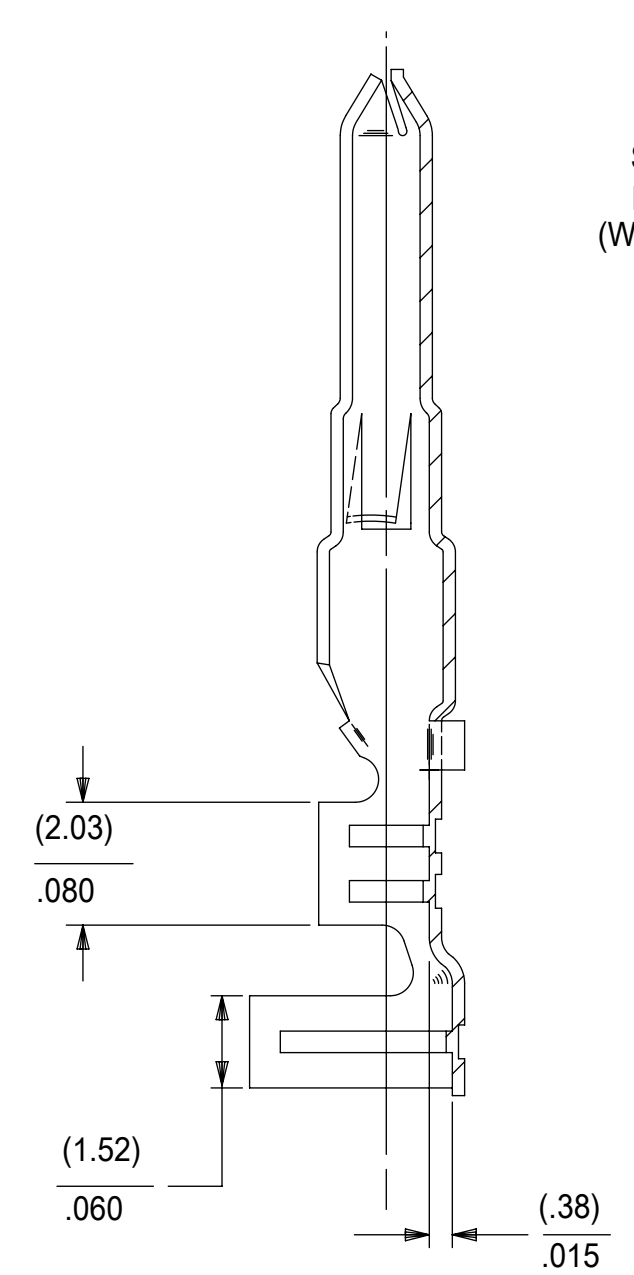
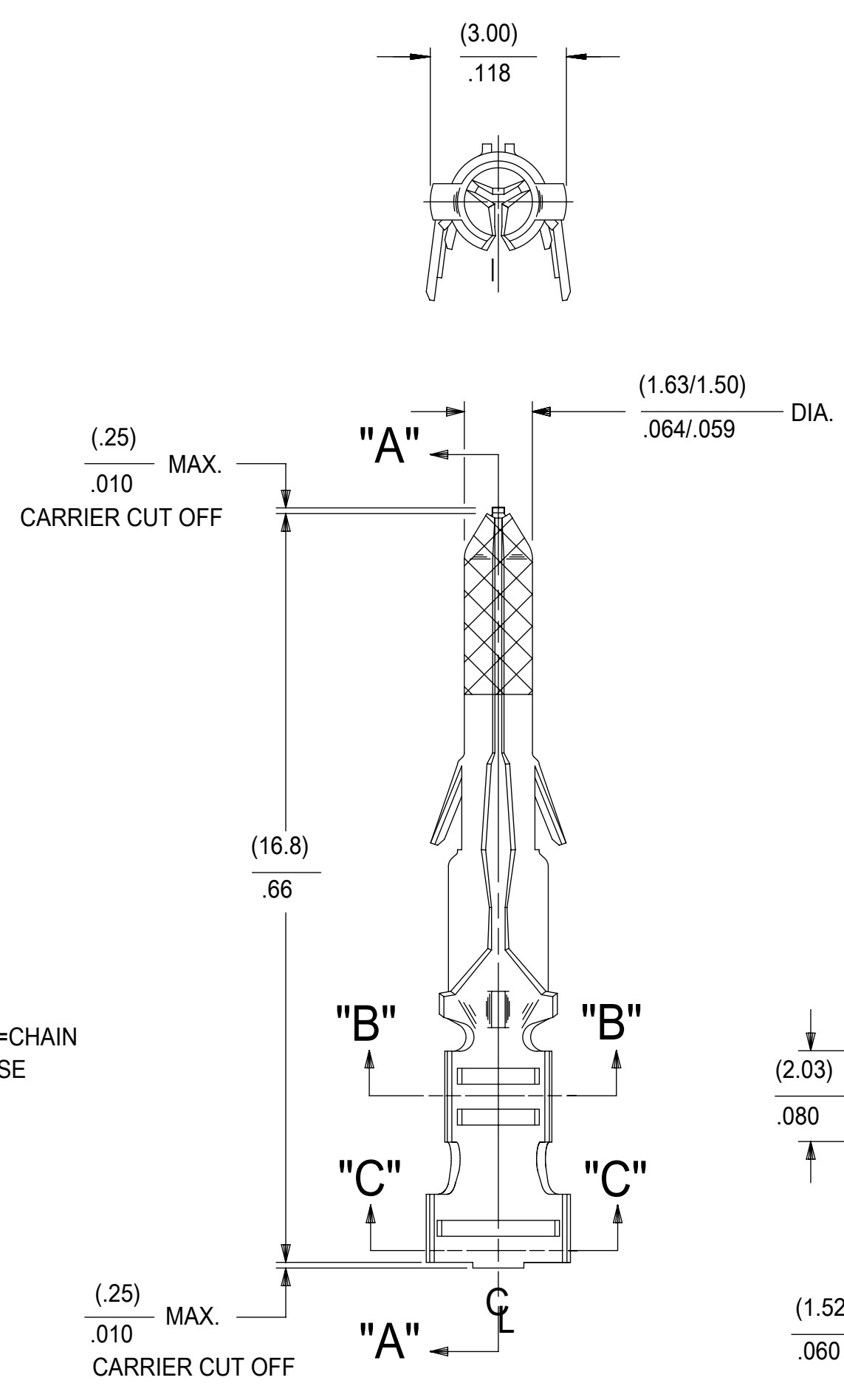
PART NO.	ENG. NO.
02-06-2101	1560-(P901)
02-06-2103	1560-(P901)L
02-06-6101	1560-(561)
02-06-6102	1560-(561)L
02-06-6118	1560-(228)
02-06-6119	1560-(228)L
02-06-6116	1560-(231)
02-06-6112	1560-(231)L
02-06-6100	1560-(550)
02-06-6103	1560-(550)L
02-06-6105	1560-(591)
02-06-6104	1560-(591)L

LEGEND

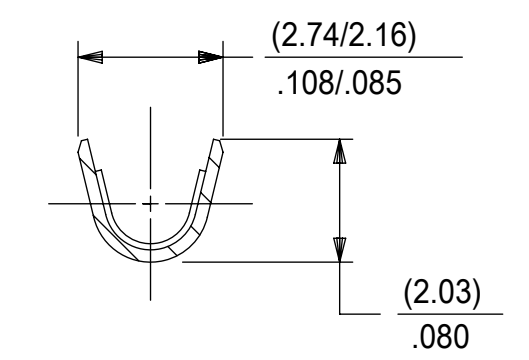
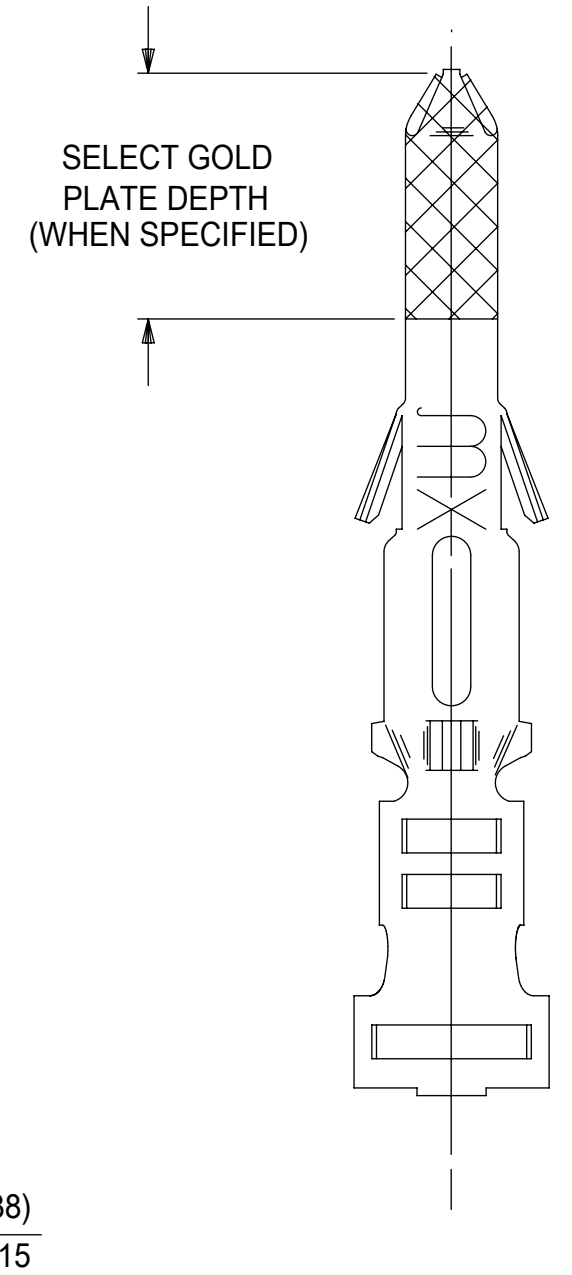
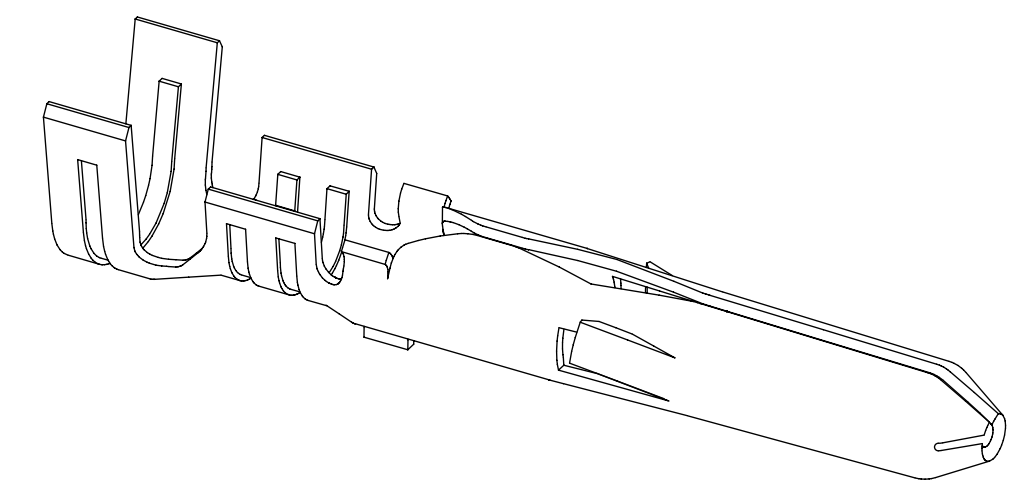
1560-(****)*

P=PREPLATE
 BLANK=POSTPLATE
 FINISH CODE
 FORM
 BLANK=CHAIN
 L=LOOSE

- NOTES:
- MATERIAL: BRASS
 - FINISHES:
 - 901 HOT TIN DIP (.00051)/.000020 MIN.
 - 228 SELECT GOLD PLATE (.00075)/.000030 MIN. IN CONTACT AREA, SELECT TIN (.00250)/.000100 MIN. IN CRIMP AREA OVER (.00125)/.000050 MIN. NICKEL OVERALL.
 - 231 SELECT GOLD PLATE (.00125)/.000050 MIN. IN CONTACT AREA, SELECT TIN (.00250)/.000100 MIN. IN CRIMP AREA OVER (.00125)/.000050 MIN. NICKEL OVERALL.
 - 561 SELECT GOLD PLATE (.00076)/.000030 MIN. IN CONTACT AREA, OVER (.00127)/.000050 MIN. NICKEL OVERALL.
 - 591 SELECT GOLD PLATE (.00127)/.000050 MIN. IN CONTACT AREA, OVER (.00127)/.000050 MIN. NICKEL OVERALL WITH (.000025)/.000010 MAX. GOLD FLASH OVERALL.
 - 550 SELECT GOLD PLATE (.00038)/.000015 MIN. IN CONTACT AREA, OVER (.00076)/.000030 MIN. NICKEL OVERALL WITH (.000025)/.000010 MAX. GOLD FLASH OVERALL.
 - PRODUCT SPECIFICATION: PS-02-06
 - PACKAGING INFORMATION:
 - LOOSE TERMINALS: PK-1190-003
 - CHAIN TERMINALS: 15600000-PK
 - TERMINAL FOR USE WITH (1.57)/.062 DIA. SERIES HOUSINGS AND WILL ACCEPT 18 THRU 24 AWG WIRE.

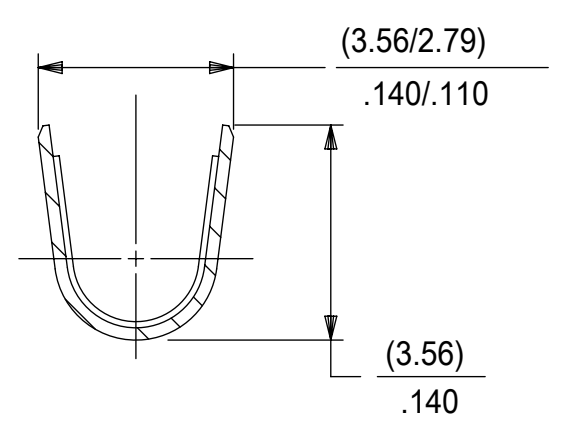


SECT. "A-A"



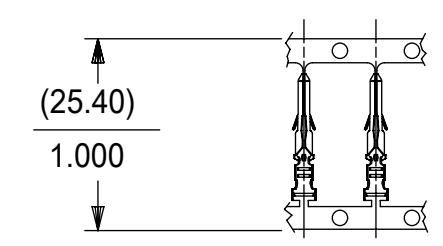
SECT. "B-B"

SCALE:10X



SECT. "C-C"

SCALE:10X



CARRIER VIEW
ACTUAL SIZE

THIS DRAWING CONTAINS INFORMATION THAT IS PROPRIETARY TO MOLEX ELECTRONIC TECHNOLOGIES, LLC AND SHOULD NOT BE USED WITHOUT WRITTEN PERMISSION															
SYMBOLS		DIMENSION UNITS		SCALE		CURRENT REV DESC: UPDATE PK SPEC									
= 0		IN/MM		8:1		molex CRIMP TERMINAL, MALE .062 DIA. FOR 18-24 AWG WIRE PRODUCT CUSTOMER DRAWING									
= 0		GENERAL TOLERANCES (UNLESS SPECIFIED)										EC NO: 614240		2019/03/22	
= 0		MM		INCH								DRWN: JEHRISMAN		2019/05/10	
= 0		INCH		MM								CHK'D: FSMITH		2019/05/10	
= 0		4 PLACES		±		APPR: FSMITH		2019/05/10		INITIAL REVISION:					
= 0		3 PLACES		±		DRWN: GEP		1987/08/19		DOCUMENT NUMBER					
= 0		2 PLACES		± 0.25		APPR: RAS		1987/08/19		DOC TYPE					
= 0		1 PLACE		± 0.35		DRAFT WHERE APPLICABLE MUST REMAIN WITHIN DIMENSIONS		THIRD ANGLE PROJECTION		DOC PART					
= 0		0 PLACES		±		DRAWING		SERIES		REVISION					
= 0		ANGULAR TOL		± 0.5 °		C-SIZE		1560		SD-1560-X					
= 0		DRAWING		SERIES		MATERIAL NUMBER		CUSTOMER		SHEET NUMBER					
= 0		C-SIZE		1560		SEE TABLE		GENERAL MARKET		1 OF 1					