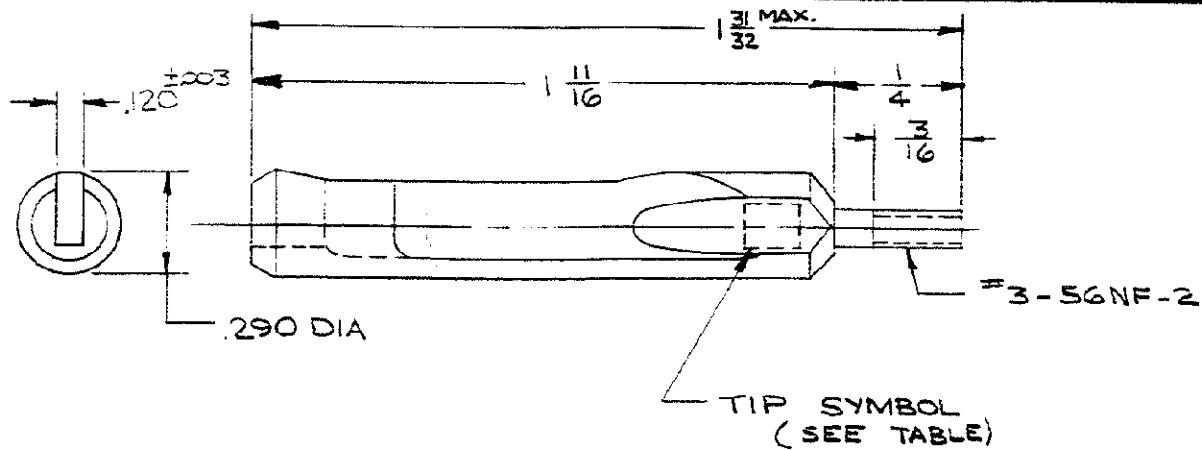


NUMBER
C-380301



TIP NUMBER	TIP SYMBOL	USED ON
380301-1	A1	380306-7, -8

APPLICATION TOOLING ENGR'G.
CONNECTOR PRODUCTS DIV.

DIMENSIONS IN INCHES. DO NOT SCALE PRINT.

©1962 BY AMP INCORPORATED. ALL RIGHTS RESERVED. AMP PRODUCTS COVERED BY PATENTS AND/OR PATENTS PENDING.

**CUSTOMER COPY
REFERENCE ONLY**

MATERIAL AND FINISH

_____ //
_____ //



AMP INCORPORATED
HARRISBURG, PENNA.

CLASS _____ //

WIRE — RANGE — INSULATION

— // — // — //

TYPE _____ //

TOLERANCE EXCEPT AS NOTED
= .015 = 1° 0'

SCALE _____ //

LOC **M A**

NO

C-380301

REV

0-1

NAME

TIP - INSERTION TOOL

0-1	M WAS A	PL -	8/19/62
TR	REVISION RECORD	DR	CHK
DR	<i>J.E. Shultz</i> 12/19/62	DE	<i>A. Hall</i> 11/5/63
CHK	<i>Wolmer</i> 1/1/63	APP	<i>Summers</i> 1/1/63