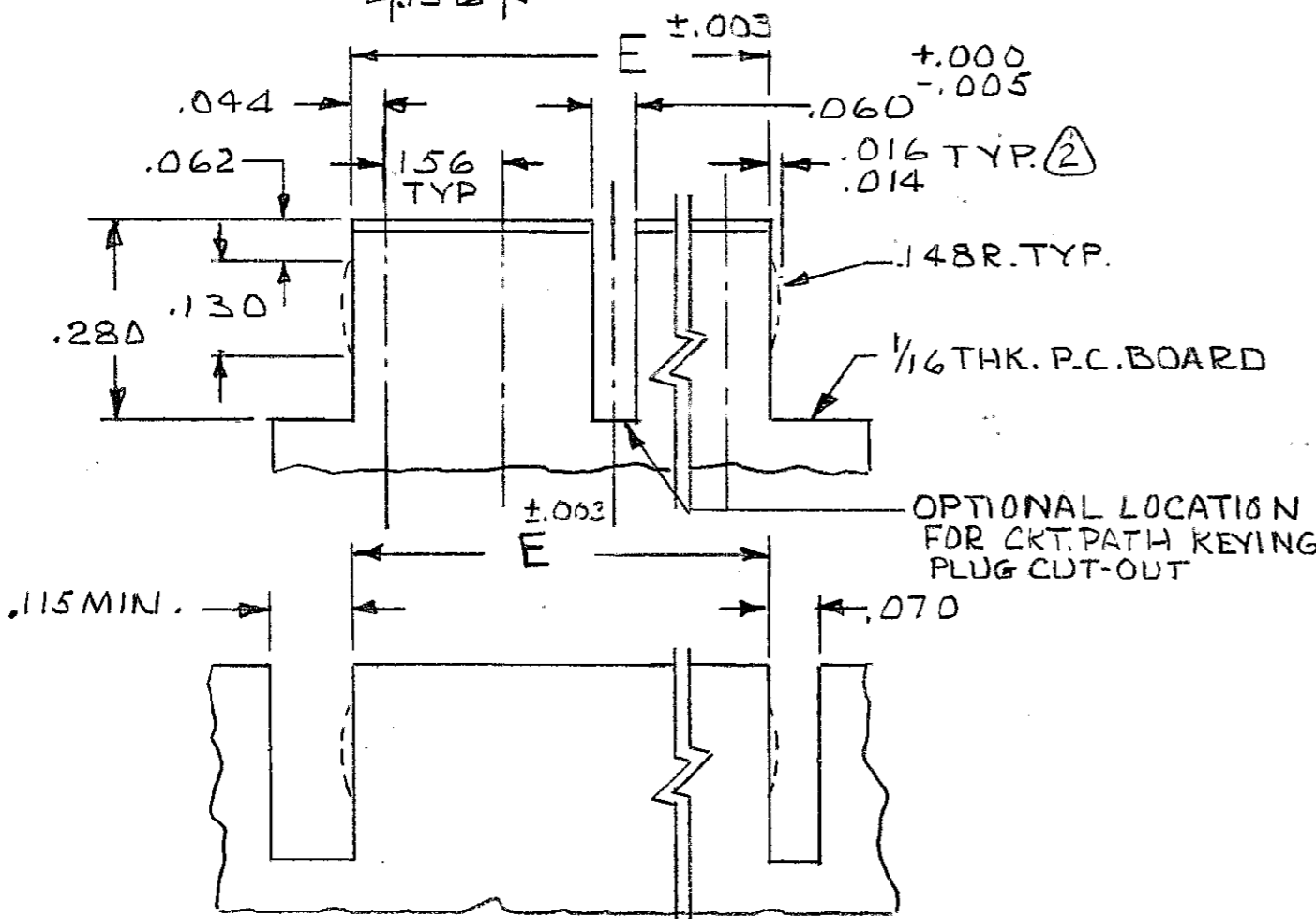
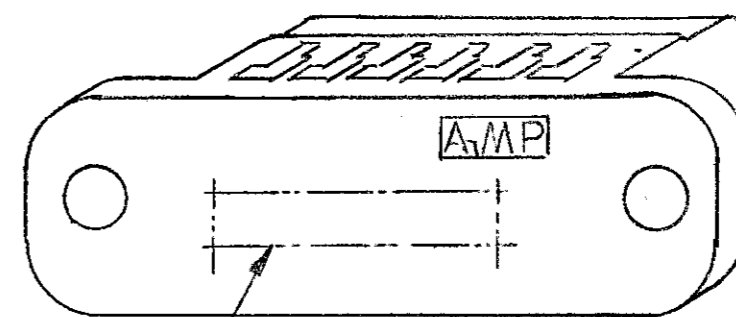
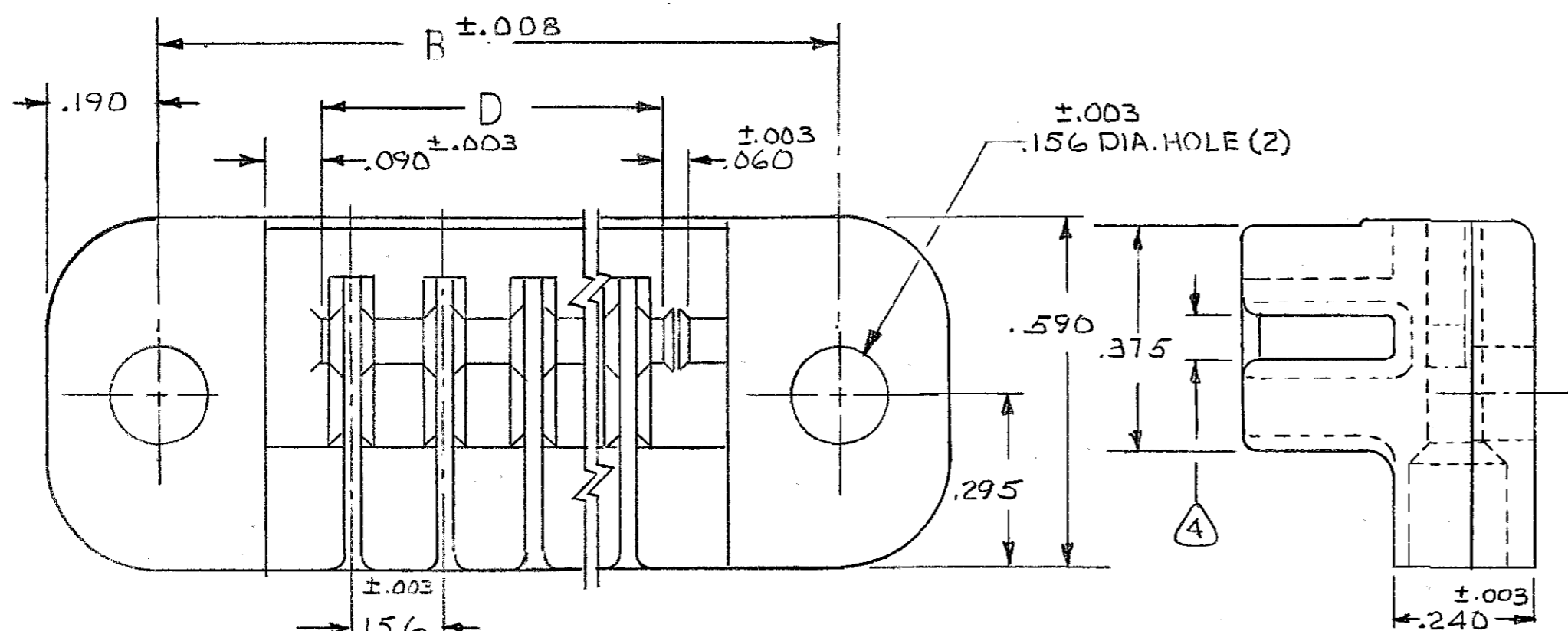
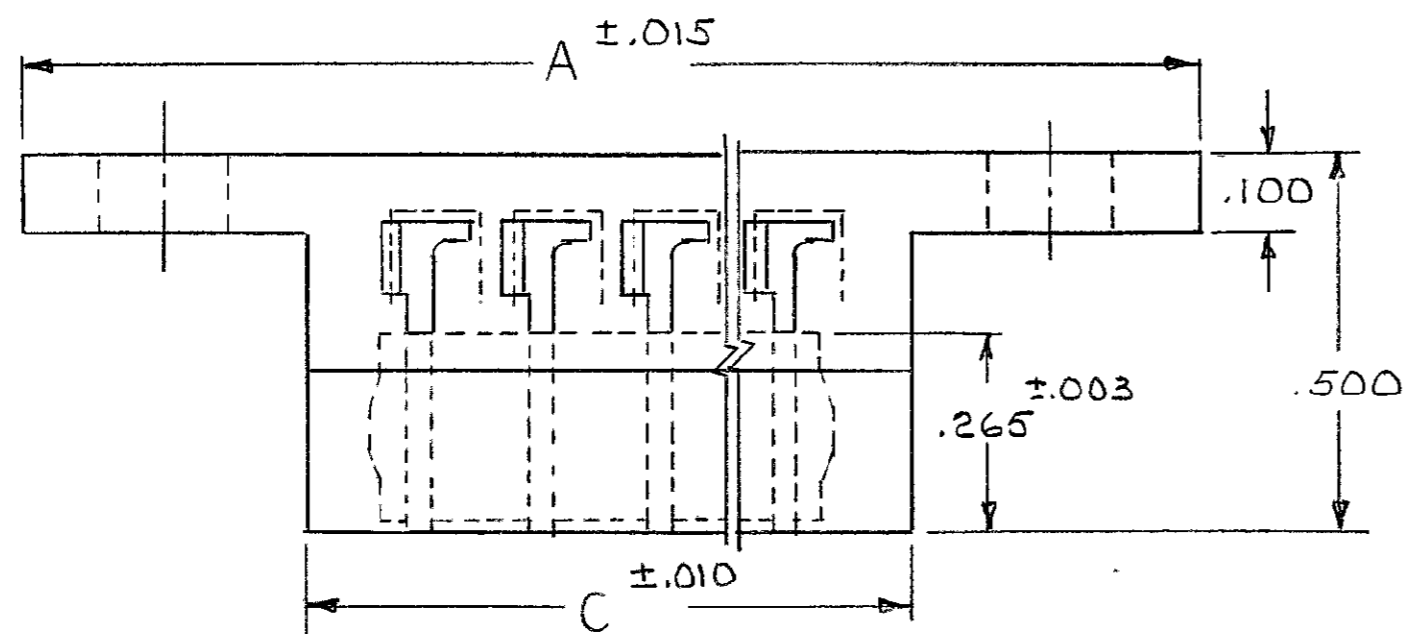


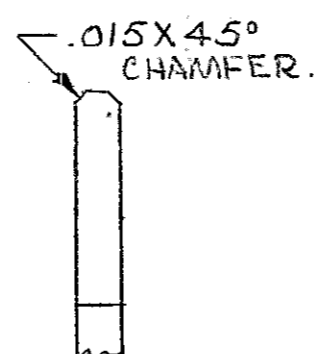
© COPYRIGHT 1975 BY AMP INCORPORATED, HARRISBURG, PA. ALL INTERNATIONAL RIGHTS RESERVED. AMP INCORPORATED PRODUCTS COVERED BY U. S. AND FOREIGN PATENTS AND/OR PATENTS PENDING.

| REVISIONS | | | | | |
|-----------|---|------|-----|---------------------------|----------------|
| P | F | ZONE | LTR | DESCRIPTION | DATE APPROVED |
| | | | A1 | ADDED 1- - 6 m.s. 7434 | 6-81 |
| | | | A2 | OBS -4 PER AD1253 | 7-1-86 CP/CS |
| | | | B | OBS -5 / AD 1746 | 12-6-87 |
| | | | C | REV PER AD2190 | 1/89 CP |
| | | | D | REV PER 0010-1143-95 | 11-95 P.B. |
| | | | E | REV PER EC 0G3C-233-01 | 02OCT01 MM |
| | | | E1 | REVISED PER ECO-09-026346 | NOV09 AEG |
| | | | E2 | REVISED PER ECO-20-006229 | KRJS 21MAY2020 |



OPTIONAL CUT-OUTS

- 1. REFER TO 530501 TO 530508 FOR TERMINALS
- 2. RETAINING DIMPLES ARE OPTIONAL IN BOTH CUT-OUTS
- 3. CARD SLOTS AND MOUNTING HOLE DIMENSIONS TO BE CHECKED WITH HOUSING RESTRAINED AS MOUNTED.
- 4. FIT FOR .055-.070 P.C. BOARD.
- 5. IDENTIFICATION MARKING OMITTED.
- 6. OBSOLETE PARTS: OBSOLETE CIS STREAMLINING PER D.RENAUD/D.SINISI



| | | | | | | | | |
|---|----------|-------|-------|-------|-------|-------|----|----------|
| 6 | OBSOLETE | 1.805 | 1.818 | 2.028 | 2.408 | 2.788 | 12 | 530509-6 |
| 6 | OBSOLETE | 3.365 | 3.378 | 3.588 | 3.968 | 4.348 | 20 | 530509-9 |
| | | 2.741 | 2.754 | 2.964 | 3.344 | 3.724 | 18 | 530509-8 |
| | | 2.117 | 2.130 | 2.340 | 2.720 | 3.100 | 14 | 530509-7 |
| 6 | OBSOLETE | 1.805 | 1.818 | 2.028 | 2.408 | 2.788 | 12 | 530509-6 |
| | | .712 | .736 | .936 | 1.316 | 1.696 | 5 | 530509-5 |
| | OBSOLETE | .400 | .414 | .624 | 1.004 | 1.334 | 3 | 530509-4 |
| 6 | OBSOLETE | 2.272 | 2.286 | 2.496 | 2.876 | 3.256 | 15 | 530509-3 |
| | OBSOLETE | 1.337 | 1.350 | 1.560 | 1.940 | 2.320 | 9 | 530509-2 |
| | | .868 | .882 | 1.072 | 1.472 | 1.852 | 6 | 530509-1 |

| | | E | D | C | B | A | NO. OF POS. | PART NO |
|---|--|-----------------------------------|---|--|---|---------------|-------------|---------|
| UNLESS OTHERWISE SPECIFIED DIMENSIONS ARE IN INCHES. TOLERANCES ON: DECIMALS ±.005 ANGLES ± | | CONTRACT NO | | TE Connectivity | | | | |
| MATERIAL NYLON | | DR <i>Rumble 2-26-75</i> | | NAME | | | | |
| FINISH | | CHK <i>Rumble 2-26-75</i> | | HOUSING, DUO-TYNE FLAG WITH MOUNTING EARS. | | | | |
| | | APPD <i>M. Sushoy 2-27-75</i> | | SIZE | | CODE IDENT NO | DRAWING NO | REV |
| | | APPD <i>R. Shannan 2-27-75</i> | | C | | 00779 | 530509 | E2 |
| | | DSGN APPD | | SCALE 4-1 | | SHEET 1 OF 1 | | |
| | | OTHER APPD | | CUSTOMER DRAWING | | | | |