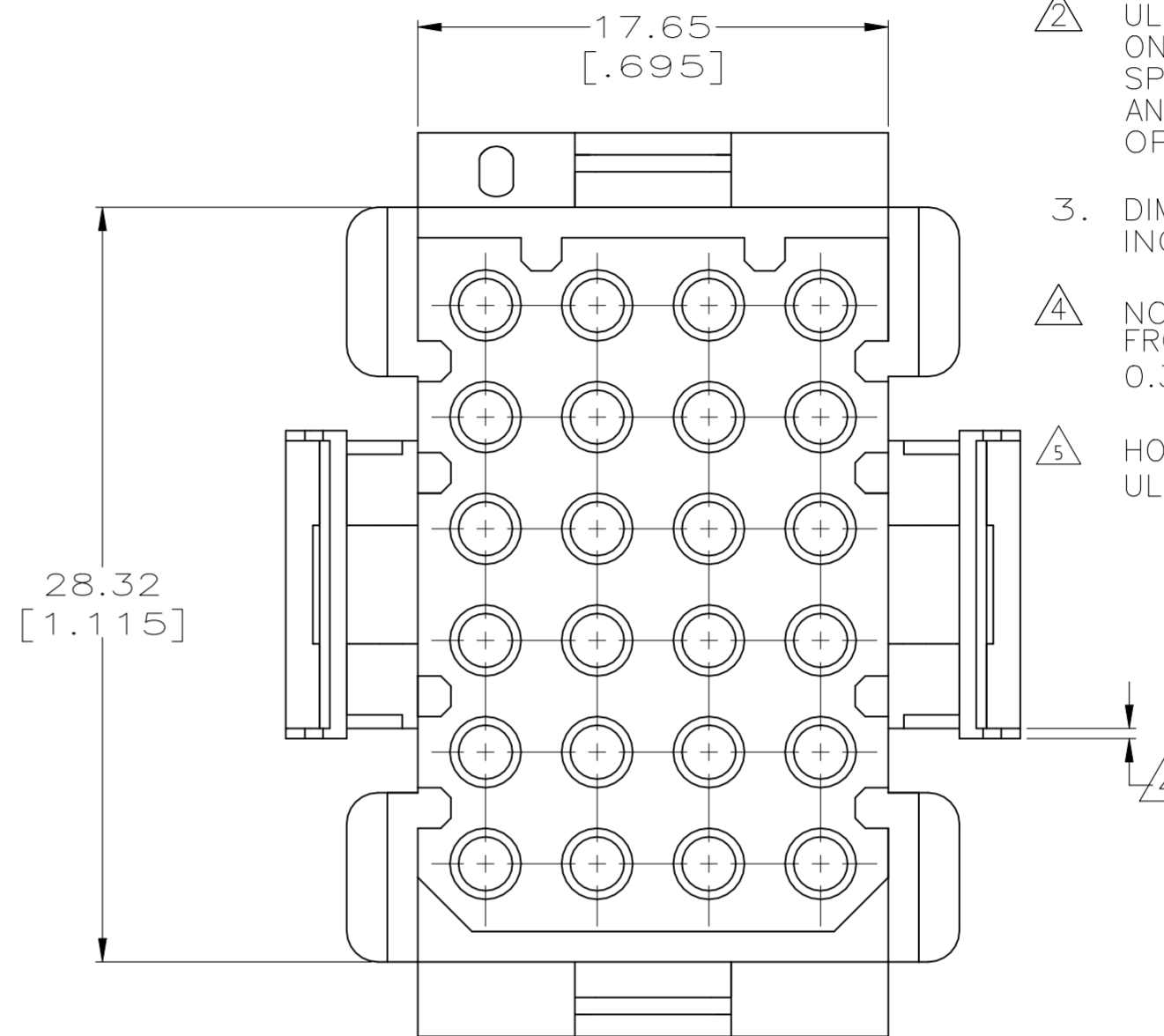
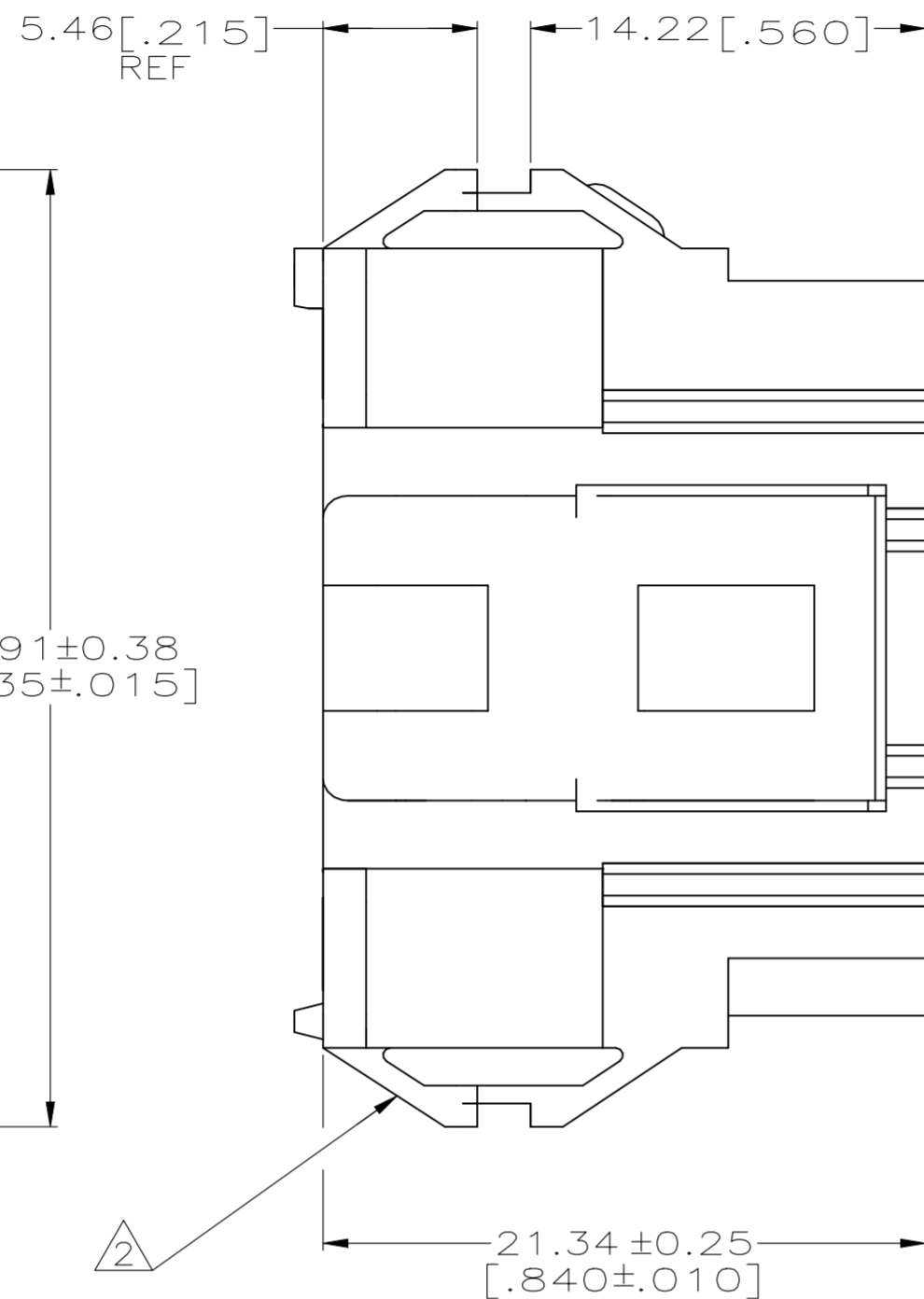
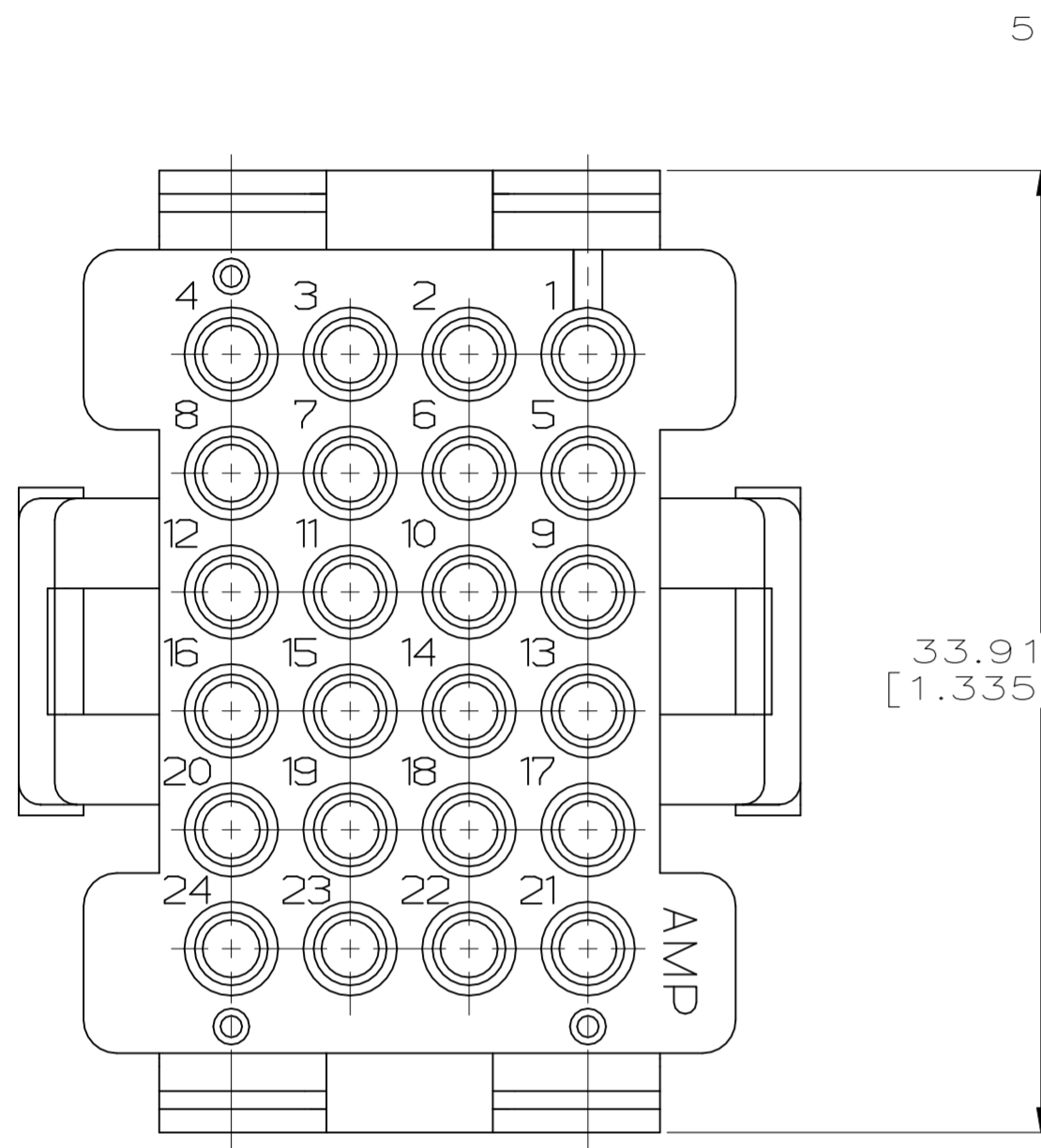
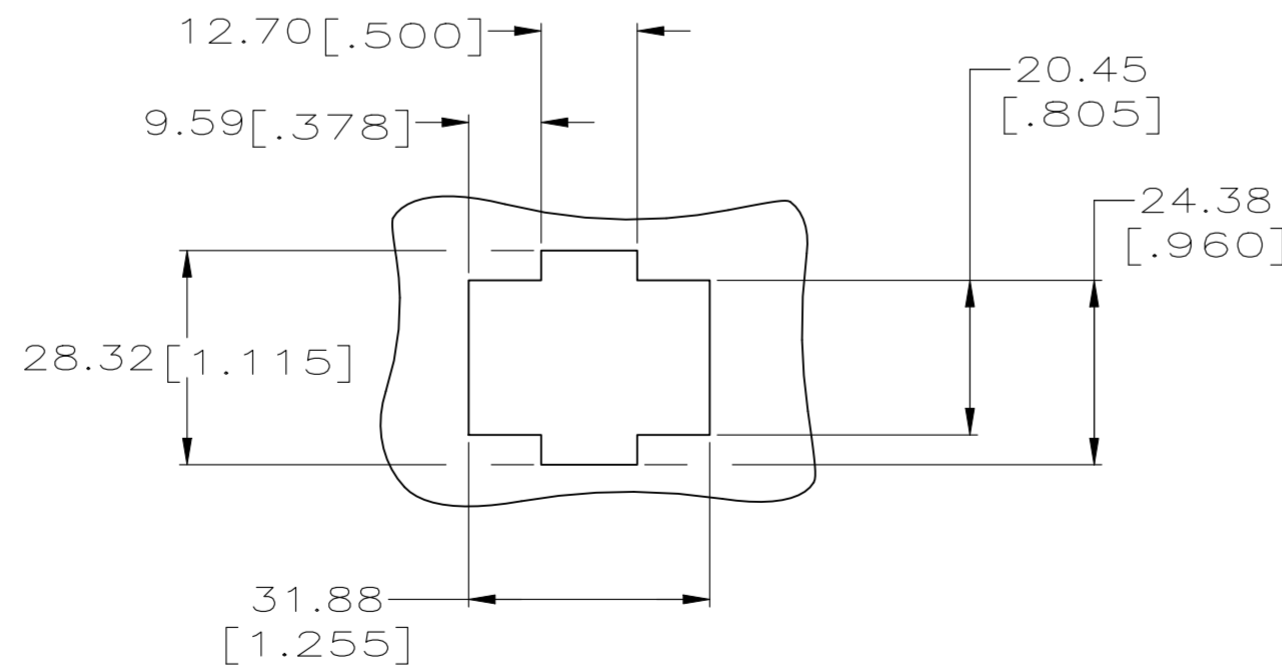
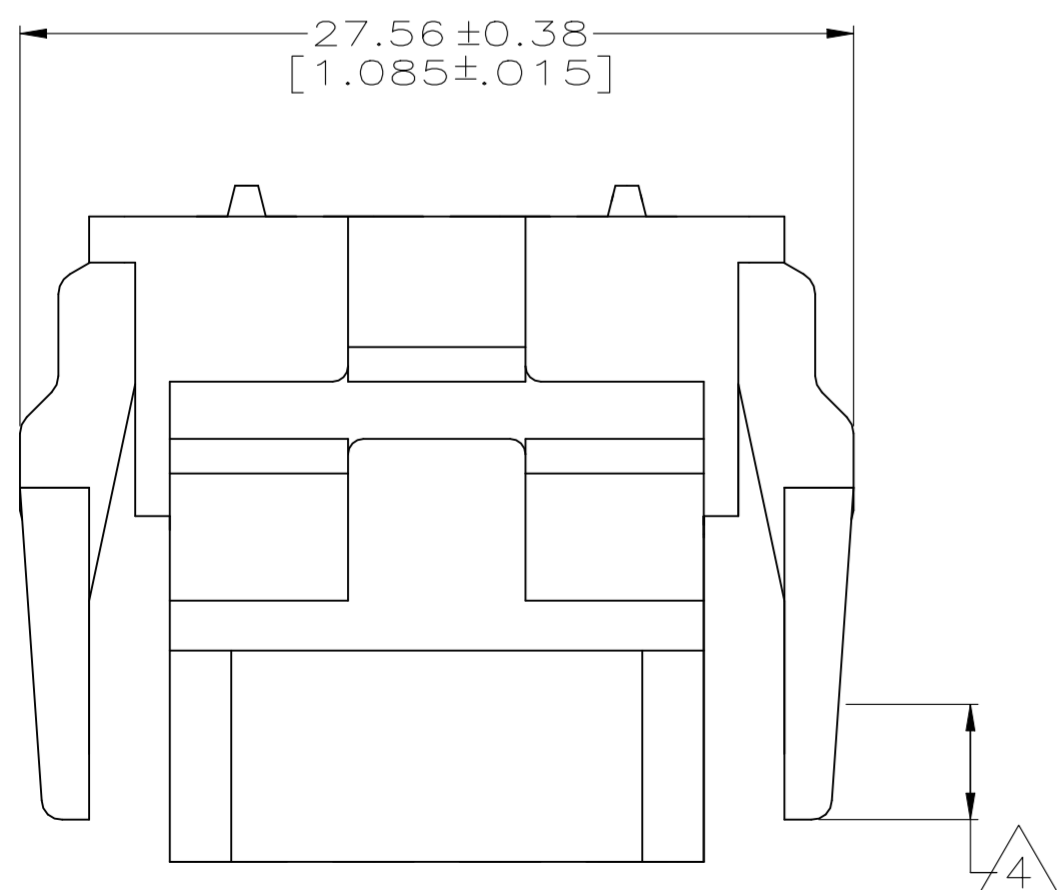


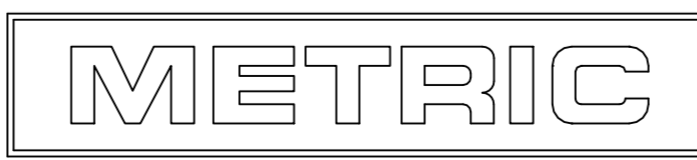
REVISIONS					
P	LTR	DESCRIPTION	DATE	DWN	APVD
F		REVISED PER ECO-21-006899	14DEC2021	RK	MZ



- MATES WITH HOUSING 640515.
- UL LOGO AND CSA LOGO TO APPEAR ON EITHER LATCH SURFACE PER AMP SPEC 202-20, I.D. NO. 1-18838-3 AND 1-18839-3. FROST BACKGROUND OPTIONAL.
- DIMENSIONS IN BRACKETS ARE IN INCHES.
- NON-FILL PERMITTED UP TO 3.8 [.15] FROM EDGE OF LATCH ARM ON THE 0.38 [.015] THICK FLANGE, 4 PLC.
- HOUSING MATERIAL: PA66, BLACK, UL 94 V-0 RATED



RECOMMENDED CUT OUT FOR 1.73 [.068] MAX THICK PANEL SCALE 1:1



1-640525-0
PART NUMBER

THIS DRAWING IS A CONTROLLED DOCUMENT.		DWN R. VESTAL 12-01-97			
DIMENSIONS: mm [INCHES]		CHK R. SWING 12-01-97			
TOLERANCES UNLESS OTHERWISE SPECIFIED:		APVD A. BEDDICK 12-01-97	NAME HOUSING, PLUG MRII 24 POSITION		
0 PLC ± -		PRODUCT SPEC	SIZE	CAGE CODE	DRAWING NO
1 PLC ± -		APPLICATION SPEC	A2	00779	C-640525
2 PLC ± 0.13 [.005]		WEIGHT	RESTRICTED TO		
3 PLC ± -		WEIGHT	-		
4 PLC ± -		SCALE	4:1		
ANGLES ± 0° 30'		SHEET	1 of 1		
FINISH		REV	F		
MATERIAL		CUSTOMER DRAWING			