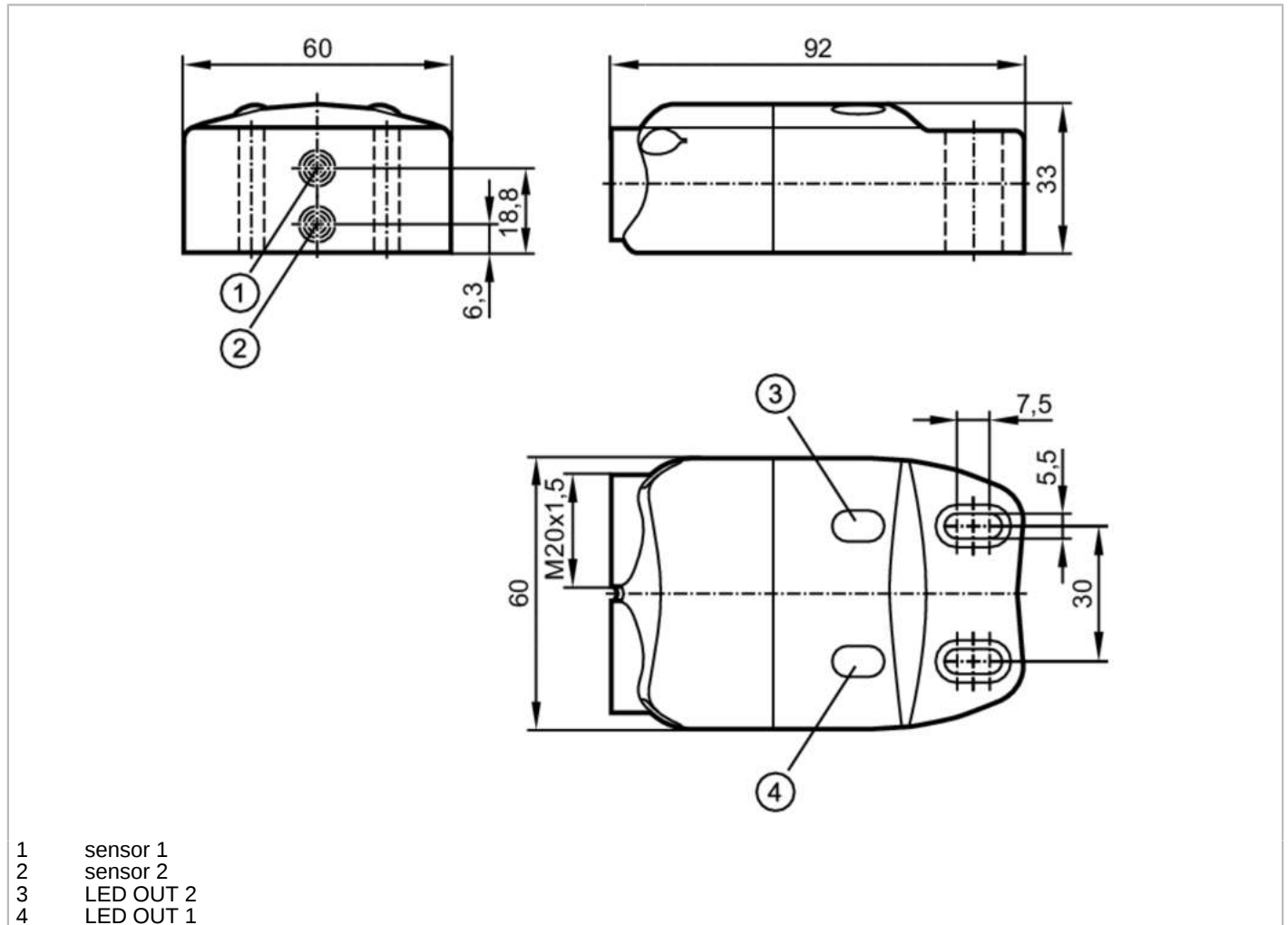


IN0131



Inductive sensor

INE2004DABOA



| Product characteristics | | |
|---------------------------------------|------|-------------------|
| Output function | | 2 x normally open |
| Sensing range | [mm] | 4 |
| Housing | | rectangular |
| Dimensions | [mm] | 33 x 60 x 92 |
| Electrical data | | |
| Frequency AC | [Hz] | 47...63 |
| Operating voltage | [V] | 20...250 AC/DC |
| Current consumption | [mA] | < 15 |
| Protection class | | II |
| Reverse polarity protection | | yes |
| Outputs | | |
| Output function | | 2 x normally open |
| Max. voltage drop switching output DC | [V] | 6 |
| Max. voltage drop switching output AC | [V] | 6.5 |

IN0131



Inductive sensor

INE2004DABOA

| | | |
|---|------|---|
| Minimum load current | [mA] | 5 |
| Max. leakage current | [mA] | 2.5 (250 V AC) / 1.3 (110 V AC) / 0.8 (24 V DC) |
| Permanent current rating of switching output AC | [mA] | 250; (350 (...50 °C)) |
| Permanent current rating of switching output DC | [mA] | 100 |
| Short-time current rating of switching output | [mA] | 2200; (20 ms / 0,5 Hz) |
| Switching frequency AC | [Hz] | 25 |
| Switching frequency DC | [Hz] | 50 |
| Short-circuit protection | | no |
| Overload protection | | no |

Detection zone

| | | |
|-----------------------|------|----------|
| Sensing range | [mm] | 4 |
| Real sensing range Sr | [mm] | 4 ± 10 % |
| Operating distance | [mm] | 0...3.25 |

Accuracy / deviations

| | | |
|--------------------|-----------|---|
| Correction factor | | steel: 1 / stainless steel: 0.7 / brass: 0.5 / aluminium: 0.4 / copper: 0.3 |
| Hysteresis | [% of Sr] | 1...15 |
| Switch point drift | [% of Sr] | -10...10 |

Operating conditions

| | | |
|---------------------|------|----------|
| Ambient temperature | [°C] | -25...70 |
| Protection | | IP 67 |

Tests / approvals

| | | |
|-------------|----------------|-------------------|
| EMC | | EN 60947-5-2 |
| MTTF | [years] | 307 |
| UL approval | Ta | -25...70 °C |
| | Enclosure type | Type 1 |
| | power supply | Hazardous voltage |
| | File number UL | E174191 |

Mechanical data

| | | |
|------------|------|---------------------|
| Weight | [g] | 174.8 |
| Housing | | rectangular |
| Mounting | | non-flush mountable |
| Dimensions | [mm] | 33 x 60 x 92 |
| Materials | | housing: PA |

Displays / operating elements

| | | |
|---------|------------------|-----------------|
| Display | switching status | 2 x LED, yellow |
|---------|------------------|-----------------|

Electrical connection

| | | |
|---------------------|--|--|
| Required protection | | miniature fuse to IEC60127-2 sheet 1; ≤ 2 A; fast acting |
|---------------------|--|--|

Accessories

| | | |
|----------------|--|--|
| Items supplied | | washers: 2 cylinder screws: 2 x M5 x 18 |
|----------------|--|--|

Remarks

| | | |
|---------|--|---|
| Remarks | | Recommendation: Check the safe functioning of the unit after a short circuit. |
|---------|--|---|

IN0131



Inductive sensor

INE2004DABOA

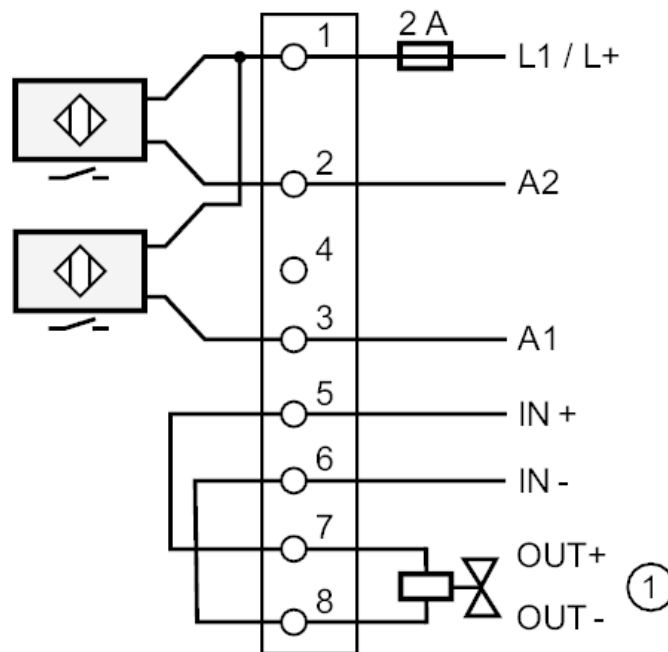
Pack quantity

1 pcs.

Electrical connection

terminal strip in the terminal chamber:

Connection



1

Note miniature fuse to IEC60127-2 sheet 1 ≤ 2 A fast acting output solenoid valve