

DM74S283 4-Bit Binary Adder with Fast Carry

General Description

These full adders perform the addition of two 4-bit binary numbers. The sum (Σ) outputs are provided for each bit and the resultant carry (C4) is obtained from the fourth bit. These adders feature full internal look ahead across all four bits. This provides the system designer with partial look-ahead performance at the economy and reduced package count of a ripple-carry implementation.

The adder logic, including the carry, is implemented in its true form meaning that the end-around carry can be accomplished without the need for logic or level inversion.

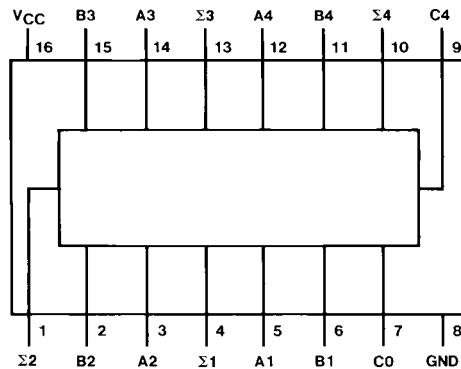
Features

- Full-carry look-ahead across the four bits
- Systems achieve partial look-ahead performance with the economy of ripple carry
- Typical add times
 - Two 8-bit words 15 ns
 - Two 16-bit words 30 ns
- Typical power dissipation 510 mW

Ordering Code:

| Order Number | Package Number | Package Description |
|--------------|----------------|---|
| DM74S283N | N16E | 16-Lead Plastic Dual-In-Line Package (PDIP), JEDEC MS-001, 0.300 Wide |

Connection Diagram



Absolute Maximum Ratings(Note 1)

| | |
|--------------------------------------|-----------------|
| Supply Voltage | 7V |
| Input Voltage | 5.5V |
| Operating Free Air Temperature Range | 0°C to +70°C |
| Storage Temperature Range | -65°C to +150°C |

Note 1: The "Absolute Maximum Ratings" are those values beyond which the safety of the device cannot be guaranteed. The device should not be operated at these limits. The parametric values defined in the Electrical Characteristics tables are not guaranteed at the absolute maximum ratings. The "Recommended Operating Conditions" table will define the conditions for actual device operation.

Recommended Operating Conditions

| Symbol | Parameter | Min | Nom | Max | Units |
|-----------------|---|------|-----|------|-------|
| V _{CC} | Supply Voltage | 4.75 | 5 | 5.25 | V |
| V _{IH} | HIGH Level Input Voltage | 2 | | | V |
| V _{IL} | LOW Level Input Voltage | | | 0.8 | V |
| I _{OH} | HIGH Level Output Current (Output C4) | | | -0.5 | mA |
| | HIGH Level Output Current (Other Outputs) | | | -1 | |
| I _{OL} | LOW Level Output Current (Output C4) | | | 10 | mA |
| | LOW Level Output Current (Other Outputs) | | | 20 | |
| T _A | Free Air Operating Temperature | 0 | | 70 | °C |

Electrical Characteristics

over recommended operating free air temperature (unless otherwise noted)

| Symbol | Parameter | Conditions | Min | Typ (Note 2) | Max | Units |
|------------------|-----------------------------------|--|---------------|-----------------|------|-------|
| V _I | Input Clamp Voltage | V _{CC} = Min, I _I = -18 mA | | | -1.2 | V |
| V _{OH} | HIGH Level Output Voltage | V _{CC} = Min, I _{OH} = Max | 2.7 | 3.4 | | V |
| | | V _{IL} = Max, V _{IH} = Min | | | | |
| V _{OL} | LOW Level Output Voltage | V _{CC} = Min, I _{OL} = Max | | | 0.5 | V |
| | | V _{IH} = Min, V _{IL} = Max | | | | |
| I _I | Input Current @ Max Input Voltage | V _{CC} = Max, V _I = 5.5V | | | 1 | mA |
| I _{IH} | HIGH Level Input Current | V _{CC} = Max, V _I = 2.7V | | | 50 | μA |
| I _{IL} | LOW Level Input Current | V _{CC} = Max, V _I = 0.5V | | | -2 | mA |
| I _{OS} | Short Circuit Output Current | V _{CC} = Max (Note 3) | C4 Output | -20 | -100 | mA |
| | | | Other Outputs | -40 | -100 | |
| I _{CC1} | Supply Current | V _{CC} = Max (Note 4) | | 80 | 120 | mA |
| I _{CC2} | Supply Current | V _{CC} = Max (Note 5) | | 95 | 160 | mA |

Note 2: All typicals are at V_{CC} = 5V, T_A = 25°C.

Note 3: Not more than one output should be shorted at a time, and the duration should not exceed one second.

Note 4: I_{CC1} is measured with all outputs OPEN, all B inputs LOW and all other inputs at 4.5V.

Note 5: I_{CC2} is measured with all outputs OPEN and all inputs at 4.5V.

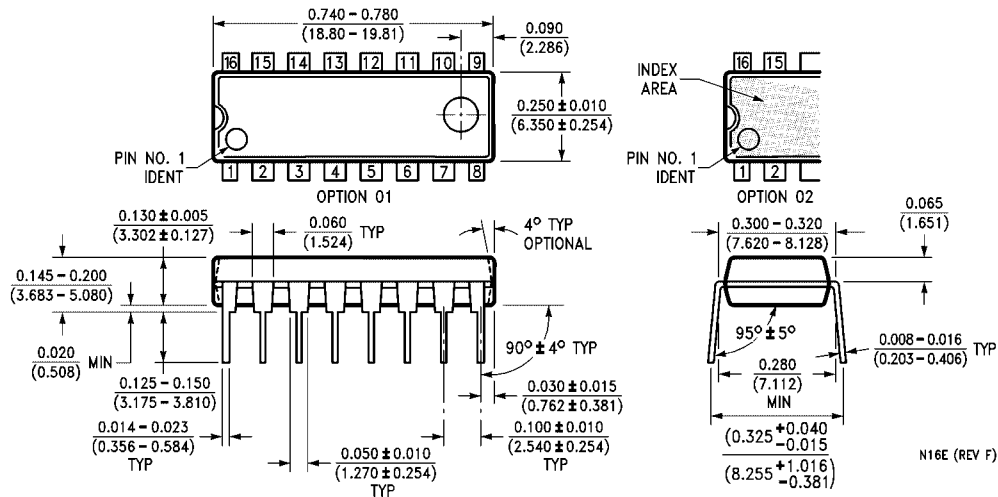
Switching Characteristics

at $V_{CC} = 5V$ and $T_A = 25^\circ C$

| Symbol | Parameter | From (Input) To (Output) | $R_L = 280\Omega$ | | | | Units |
|-----------|---|--------------------------------|----------------------|-----|----------------------|-----|-------|
| | | | $C_L = 15\text{ pF}$ | | $C_L = 50\text{ pF}$ | | |
| | | | Min | Max | Min | Max | |
| t_{PLH} | Propagation Delay Time LOW-to-HIGH Level Output | C0 to $\Sigma 1$ or $\Sigma 2$ | | 18 | | 20 | ns |
| t_{PHL} | Propagation Delay Time HIGH-to-LOW Level Output | C0 to $\Sigma 1$ or $\Sigma 2$ | | 18 | | 20 | ns |
| t_{PLH} | Propagation Delay Time LOW-to-HIGH Level Output | C0 to $\Sigma 3$ | | 18 | | 20 | ns |
| t_{PHL} | Propagation Delay Time HIGH-to-LOW Level Output | C0 to $\Sigma 3$ | | 18 | | 20 | ns |
| t_{PLH} | Propagation Delay Time LOW-to-HIGH Level Output | C0 to $\Sigma 4$ | | 18 | | 20 | ns |
| t_{PHL} | Propagation Delay Time HIGH-to-LOW Level Output | C0 to $\Sigma 4$ | | 18 | | 20 | ns |
| t_{PLH} | Propagation Delay Time LOW-to-HIGH Level Output | A_i, B_i to S_i | | 18 | | 20 | ns |
| t_{PHL} | Propagation Delay Time HIGH-to-LOW Level Output | A_i, B_i to S_i | | 18 | | 20 | ns |
| t_{PLH} | Propagation Delay Time LOW-to-HIGH Level Output (Note 6) | C0 to $\Sigma 4$ | | 11 | | 15 | ns |
| t_{PHL} | Propagation Delay Time HIGH-to-LOW Level Output (Note 6) | C0 to $\Sigma 4$ | | 11 | | 15 | ns |
| t_{PLH} | Propagation Delay Time LOW-to-HIGH Level Output (Note 6) | A_i, B_i to C4 | | 12 | | 16 | ns |
| t_{PHL} | Propagation Delay Time HIGH-to-LOW Level Output (Note 6) | A_i, B_i to C4 | | 12 | | 16 | ns |

Note 6: $R_L = 560\Omega$.

Physical Dimensions inches (millimeters) unless otherwise noted



16-Lead Plastic Dual-In-Line Package (PDIP), JEDEC MS-001, 0.300 Wide Package Number N16E

Fairchild does not assume any responsibility for use of any circuitry described, no circuit patent licenses are implied and Fairchild reserves the right at any time without notice to change said circuitry and specifications.

LIFE SUPPORT POLICY

FAIRCHILD'S PRODUCTS ARE NOT AUTHORIZED FOR USE AS CRITICAL COMPONENTS IN LIFE SUPPORT DEVICES OR SYSTEMS WITHOUT THE EXPRESS WRITTEN APPROVAL OF THE PRESIDENT OF FAIRCHILD SEMICONDUCTOR CORPORATION. As used herein:

1. Life support devices or systems are devices or systems which, (a) are intended for surgical implant into the body, or (b) support or sustain life, and (c) whose failure to perform when properly used in accordance with instructions for use provided in the labeling, can be reasonably expected to result in a significant injury to the user.
2. A critical component in any component of a life support device or system whose failure to perform can be reasonably expected to cause the failure of the life support device or system, or to affect its safety or effectiveness.

www.fairchildsemi.com