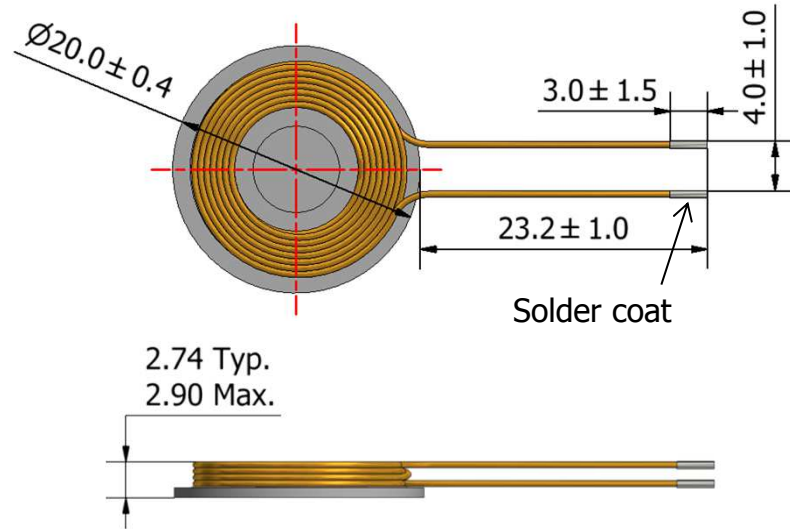


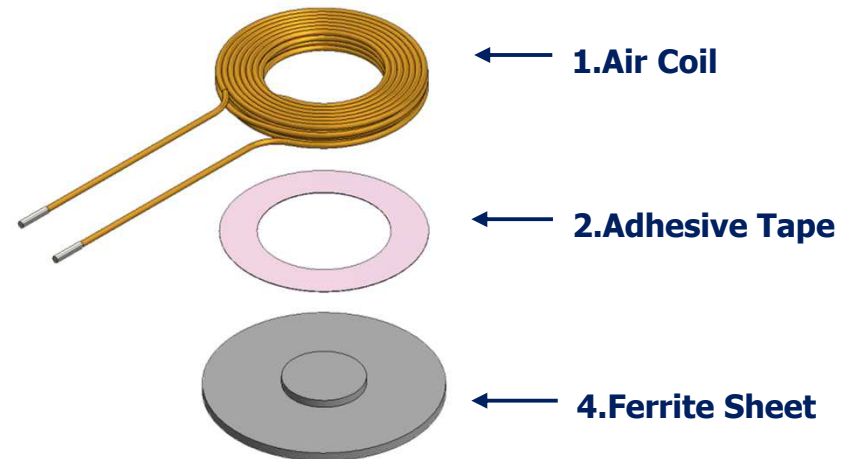
## = Dimension of coil unit =



## = Coil unit Assembly =

Unit : mm

Stack	TDK Item	Typ.	Max.
1	Coil+Resin	1.805	1.900
2	Adhesive Tape	0.135	0.138
3	Ferrite Sheet	0.800	0.862
Total Thickness		2.74	2.90



## = Electrical Characteristics =

- $L_s$  : 20.9  $\mu$ H Typ. @100kHz
- $R_s$  : 0.3  $\Omega$  Max. @100kHz